

[752] 29.6 OVERALL
 [752] 29.6 OVERALL
 [172] 6.8
 [752] 29.6 ROUGH OPENING
 [176] R6.9 OVERALL
 [176] 4X R6.94 ROUGH OPENING
 [752] 29.6 ROUGH OPENING
 [143] 4X R5.63 ROUGH OPENING
 $686^{+5.08}_0$
 $27.0^{+.20}_{-.00}$ CLEAR OPENING
 $686^{+5.08}_0$
 $27.0^{+.20}_{-.00}$ CLEAR OPENING
 $143^{+5.08}_0$
 $4X R5.63^{+.20}_{-.00}$ CLEAR OPENING

10. FOR SPECIFIC INFORMATION CONTACT SALES.
9. COMPLETE ASSEMBLY WEIGHT W/ DECK RING, 78.0LBS/ 35.4K.
8. DOGGING PRESSURE FULLY ADJUSTABLE.
7. HANDLE POSITION TOPSIDE INDICATES WHETHER DOGGING MECHANISM IS IN OPEN OR CLOSED POSITION.
6. ALUMINUM ALLOY MECHANISM SHOWN.
5. FLUSH, WATERTIGHT CONSTRUCTION.
4. INTEGRAL TOPSIDE "T" HANDLE STANDARD, OTHER TOPSIDE ACTUATION AVAILABLE.
3. MILD STEEL COAMING FOR WELD IN DECK APPLICATIONS.
2. QUICK-ACTING, MECHANISM ENGAGES OR DISENGAGES IN QUARTER-TURN OF CENTER SPINDLE.
1. 27.0 X 27.0 CLEAR OPENING, ALL DIMENSIONS SHOWN SUBJECT TO CASTING VARIATION AND ARE REFERENCE ONLY.

NOTES: UNLESS OTHERWISE SPECIFIED.

A

CUSTOMER APPROVAL

Signature: _____
 Date: _____
 IMPORTANT! THIS DRAWING SUPERSEDES ALL OTHER DOCUMENTS. By signing this approval you accept and agree that the dimensions and details shown are correct and properly fit your application, regardless of any differences between this drawing and any contract specifications. Should you see any errors in the drawing, or have any questions, please contact your Freeman Marine sales engineer for clarification.

REV.	DESCRIPTION	DATE	DRAWN
-	INITIAL RELEASE	20APR11	GJM
A	UPDATE GEN NOTES & B.O.M.	19JUL11	PPC

SPECIFICATIONS SUBJECT TO CHANGE WITHOUT NOTICE.

PROJECTION

UNLESS OTHERWISE SPECIFIED DIMENSIONS ARE IN INCHES, TOLERANCES FOR ROUGH AND CLEAR OPENING ± .125 INCH. ALL OTHERS ARE:

.X	.XX	.XXX	ANGLES
±.1	±.03	±.010	±2°

DO NOT SCALE DRAWING

FREEMAN MARINE EQUIPMENT, INC.
 28336 HUNTER CREEK ROAD
 GOLD BEACH, OR 97444 U.S.A.
 PHONE: 541-247-7078 FAX: 541-247-2114
 www.freemanmarine.com

CONFIDENTIAL PROPERTY OF FREEMAN MARINE EQUIPMENT, INC. UNAUTHORIZED USE, COPYING OR DISTRIBUTION IS STRICTLY PROHIBITED. POSSESSOR OF THIS DOCUMENT AGREES TO THE FOREGOING AND SHALL RETURN THIS DOCUMENT UPON REQUEST. © ALL RIGHTS RESERVED 2004

CLIENT: **FREEMAN MARINE EQUIPMENT, INC.**

TITLE: **MODEL: 2727 K
ALUMINUM COVER, MILD STEEL RING**

SIZE: **D** CAGE CODE: **64747** DRAWING NUMBER: **2427-0003** REV: **A**

SCALE: 1:3 CALC. WT. ACT. WT. SHEET 1 OF 3

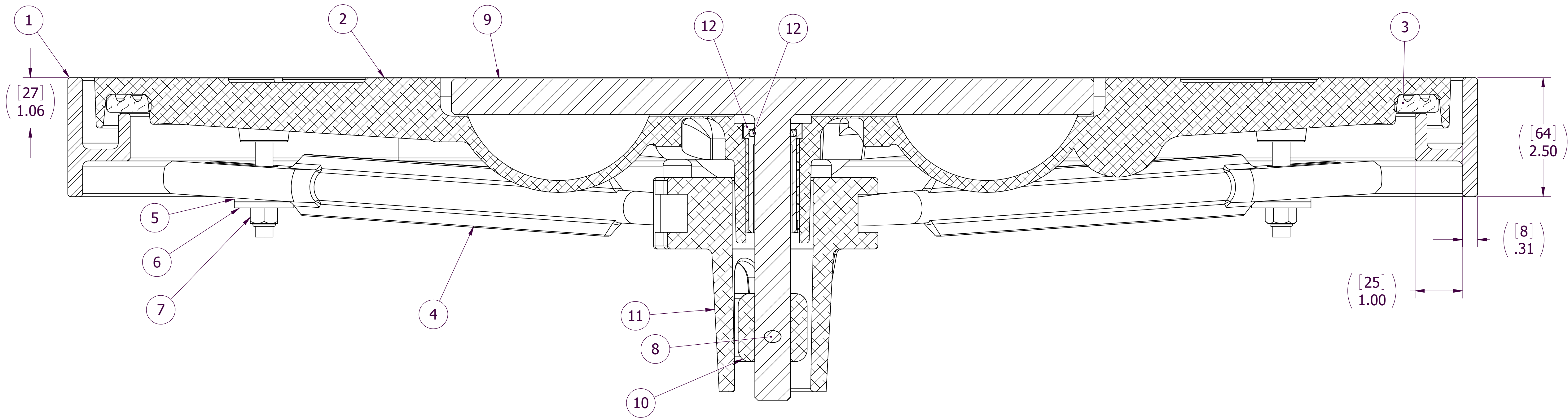
DRAWN: G MACEACHERN DATE: 19APR11
 CHECKED: P CANCELLIERI DATE: _____
 ENGR: _____ DATE: _____
 DESIGN ACTIVITY: _____ DATE: _____
 CONTRACT NO.: _____

D

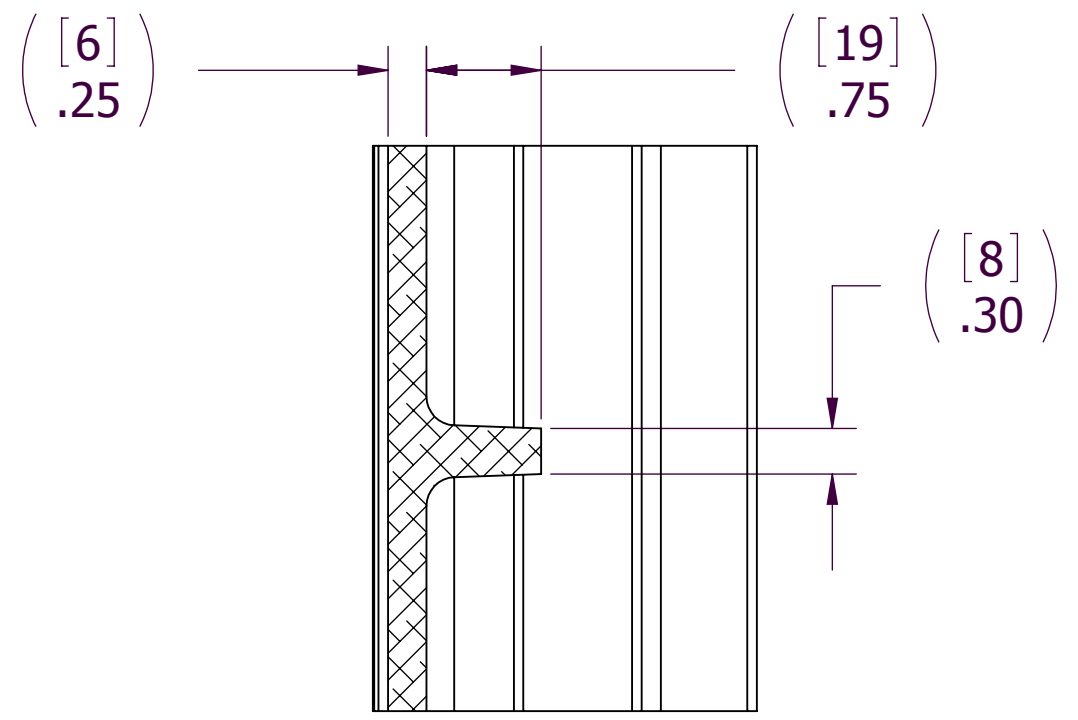
C

B

A



SECTION A-A
SCALE 1 : 2



SECTION B-B

ITEM NO.	QTY.	PART NUMBER	DESCRIPTION	MATERIAL
12	1	0031-2058	BUSHING ASSY, W/O-RING, NO SLEEVE	REF S.A. BOM
11	1	0011-2002	HUB, AL, 4 HOLE	535.2-F
10	1	0112-2001	ACTUATOR, AL	6061 Alloy
9	1	0021-2005	HANDLE, S/S, ROUND BAR	SS 304/304L ANLD
8	1	0411-2004	PIN KNURLED .25 X 2.25IN SS 316	316/316L
7	4	0411-2032	NUT .375IN NYLOCK	316/316L
6	4	0411-2033	WASHER .406 X 1.25 X .125IN SS 316	316/316L
5	4	0413-2005	WASHER, .406X1.25X.062 NYLON	PTFE (general)
4	4	0211-2032	DOG, LOCKING ARM 2727	535.2-F
3	1	9885-2015	GASKET: 2727 STR - K STYLE (8.1 FT)	GASKET, DIE #O-1511 25A DURO NEOPRENE (0631-9885)
2	1	2427-3001	COVER: 2727 K ALUM, FINISHED CASTING	A356.0-F
1	1	2427-1003	RING: 2727 MILD STEEL	1018 CR

CUSTOMER APPROVAL

Signature: _____
Date: _____

IMPORTANT! THIS DRAWING SUPERSEDES ALL OTHER DOCUMENTS. By signing this approval you accept and agree that the dimensions and details shown are correct and properly fit your application, regardless of any differences between this drawing and any contract specifications. Should you see any errors in the drawing, or have any questions, please contact your Freeman Marine sales engineer for clarification.

REV.	DESCRIPTION	DATE	DRAWN
-	INITIAL RELEASE	20APR11	GJM
A	UPDATE GEN NOTES & B.O.M.	19JUL11	PPC

SPECIFICATIONS SUBJECT TO CHANGE WITHOUT NOTICE.

PROJECTION

UNLESS OTHERWISE SPECIFIED DIMENSIONS ARE IN INCHES, TOLERANCES FOR ROUGH AND CLEAR OPENING ± .125 INCH. ALL OTHERS ARE:

.X	.XX	.XXX	ANGLES
±.1	±.03	±.010	±2°

DO NOT SCALE DRAWING

FREEMAN
MARINE EQUIPMENT, INC.

28336 HUNTER CREEK ROAD
GOLD BEACH, OR 97444 U.S.A.
PHONE: 541-247-7078 FAX: 541-247-2114
www.freemanmarine.com

CONFIDENTIAL PROPERTY OF FREEMAN MARINE EQUIPMENT INC. UNAUTHORIZED USE, COPYING OR DISTRIBUTION IS STRICTLY PROHIBITED. POSSESSOR OF THIS DOCUMENT AGREES TO THE FOREGOING AND SHALL RETURN THIS DOCUMENT UPON REQUEST.

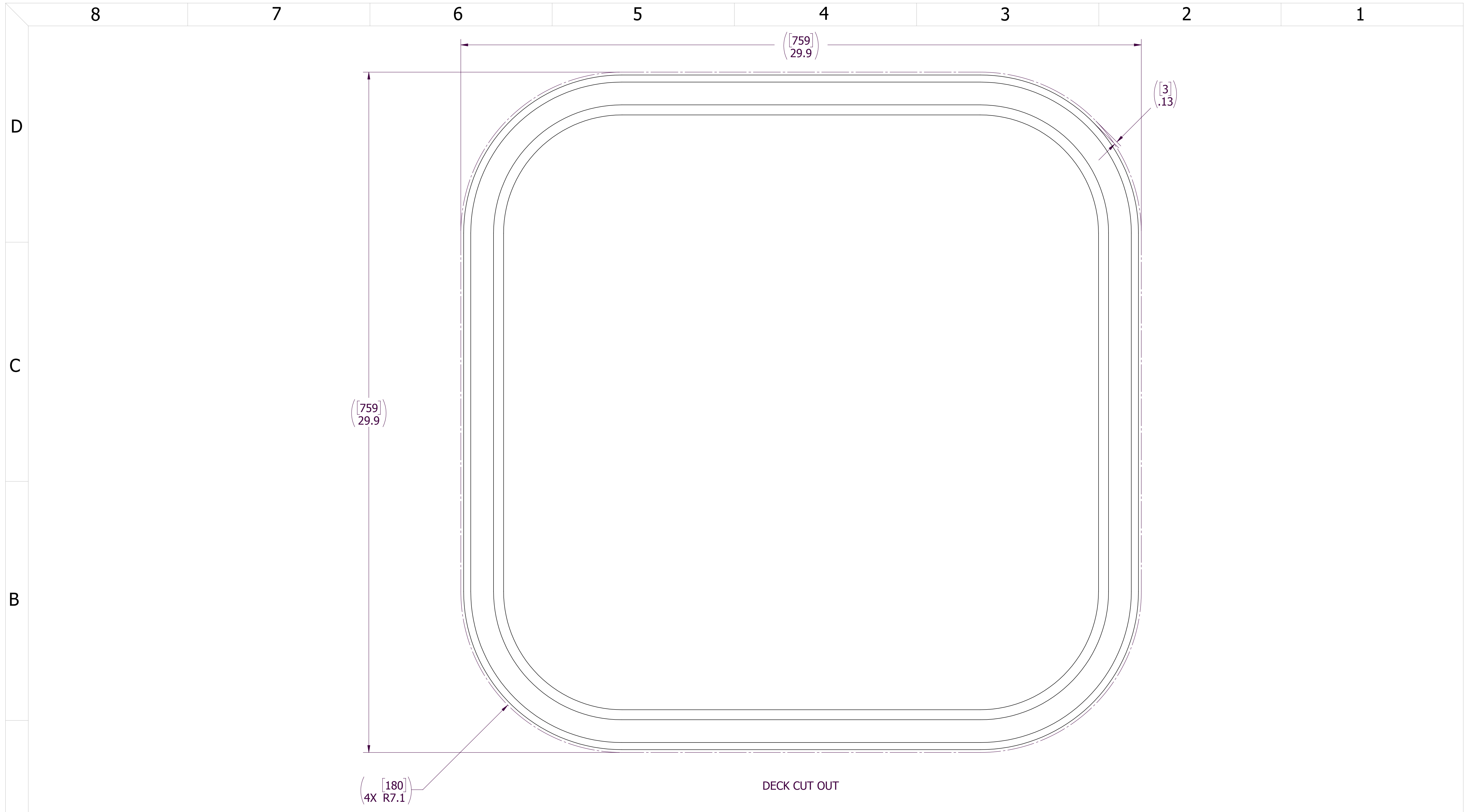
© ALL RIGHTS RESERVED 2004

DRAWN: G MACEACHERN
CHECKED: P CANCELLIERI
ENGR:
DESIGN ACTIVITY:
CONTRACT NO.:

CLIENT: FREEMAN MARINE EQUIPMENT, INC.
TITLE: MODEL: 2727 K
ALUMINUM COVER, MILD STEEL RING

SIZE	CAGE CODE	DRAWING NUMBER	REV.
D	64747	2427-0003	A

SCALE: 1:1.25 CALC. WT. ACT. WT. SHEET 2 OF 3



- 3. FINISH: 125 RMS MAX.
 - 2. BREAK SHARP EDGES AND DEBURR.
 - 1. MATERIAL: Material <not specified>
- NOTES: UNLESS OTHERWISE SPECIFIED.

CUSTOMER APPROVAL

Signature: _____
 Date: _____

IMPORTANT! THIS DRAWING SUPERSEDES ALL OTHER DOCUMENTS. By signing this approval you accept and agree that the dimensions and details shown are correct and properly fit your application, regardless of any differences between this drawing and any contract specifications. Should you see any errors in the drawing, or have any questions, please contact your Freeman Marine sales engineer for clarification.

REV.	DESCRIPTION	DATE	DRAWN
-	INITIAL RELEASE	20APR11	GJM
A	UPDATE GEN NOTES & B.O.M.	19JUL11	PPC

SPECIFICATIONS SUBJECT TO CHANGE WITHOUT NOTICE.

PROJECTION

UNLESS OTHERWISE SPECIFIED DIMENSIONS ARE IN INCHES, TOLERANCES FOR ROUGH AND CLEAR OPENING ± .125 INCH. ALL OTHERS ARE:

.X	.XX	.XXX	ANGLES
±.1	±.03	±.010	±2°

DO NOT SCALE DRAWING

		28336 HUNTER CREEK ROAD GOLD BEACH, OR 97444 U.S.A. PHONE: 541-247-7078 FAX: 541-247-2114 www.freemanmarine.com	
		CLIENT:	FREEMAN MARINE EQUIPMENT, INC.
<small>CONFIDENTIAL PROPERTY OF FREEMAN MARINE EQUIPMENT, INC. UNAUTHORIZED USE, REPRODUCTION OR DISTRIBUTION IS STRICTLY PROHIBITED. ALL CODES REMAIN THE PROPERTY OF FREEMAN MARINE EQUIPMENT, INC. AND MUST BE RETURNED UPON REQUEST. © ALL RIGHTS RESERVED 2012, FREEMAN MARINE EQUIPMENT, INC.</small>	DRAWN: G MACEACHERN CHECKED: P CANCELLIERI ENGR: DESIGN ACTIVITY: CONTRACT NO.:	DATE: 19APR11 DATE: DATE: DATE:	TITLE: MODEL: 2727 K ALUMINUM COVER, MILD STEEL RING
SIZE: D SCALE: 1:2	CAGE CODE: 64747	DRAWING NUMBER: 2427-0003	REV. A ACT. WT. SHEET 3 OF 3