

**REVISIONS**

REV.	DESCRIPTION	DATE
01	CUSTOMER REVIEW	20OCT16
02	REVISED ROUGH OPENING DIMS	05JAN17
A	PRODUCTION RELEASE	15FEB17

**GENERAL NOTES**

HATCH

1. SIZE AND STYLE AS REQUIRED.
2. WATERTIGHT CONSTRUCTION.
3. RADIUS CORNER PANEL.
4. FINISH: PANEL AND COAMING - BARE METAL
5. TEAK ON PANEL TO BE 5/8" THICK
6. THIS DRAWING PROVIDES THE GENERAL CONFIGURATION OF A WATERTIGHT HATCH. FOR MORE DETAILED INFORMATION CONTACT PACIFIC COAST MARINE.

**UNLESS OTHERWISE SPECIFIED**  
DIMENSIONS ARE IN MILLIMETERS,  
TOLERANCES FOR ROUGH AND CLEAR OPENING ±3mm (.125")  
ALL OTHERS ARE:

METRIC			ANGLES
X	.X	.XX	±2°
±2.5	±.8	±.25	
INCH			ANGLES
X	.XX	.XXX	±2°
±.1	±.03	±.01	

**CUSTOMER APPROVAL**

IMPORTANT! THIS DRAWING SUPERSEDES ALL OTHER DOCUMENTS. By signing this approval you accept and agree that the dimensions and details shown are correct and properly fit your application, regardless of any differences between this drawing and any prior contract specifications. Should you have any questions or see any errors, DO NOT SIGN THIS APPROVAL until the drawing is corrected.

SIGN	DATE	CAGE CODE
BAR CODE		



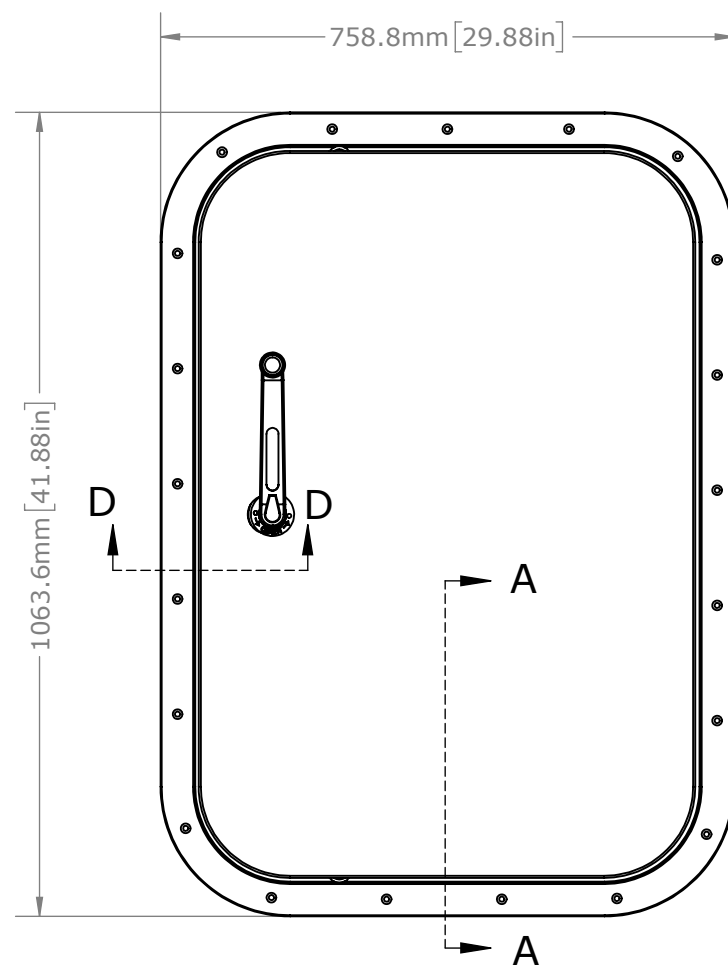
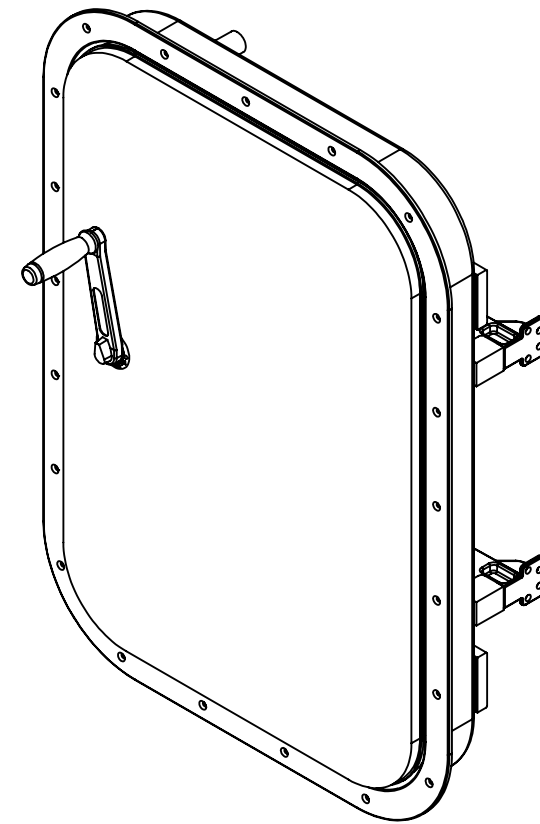
COPYRIGHT 2016 ADVANTEC GLOBAL INNOVATIONS. ALL RIGHTS RESERVED. CONFIDENTIAL PROPERTY OF ADVANTEC GLOBAL INNOVATIONS. UNAUTHORIZED USE, REPRODUCTION OR DISTRIBUTION IS STRICTLY PROHIBITED. COPIES REMAIN THE PROPERTY OF ADVANTEC GLOBAL INNOVATIONS AND MUST BE RETURNED UPON REQUEST.

CLIENT  
**NORDHAVN (PAE)**

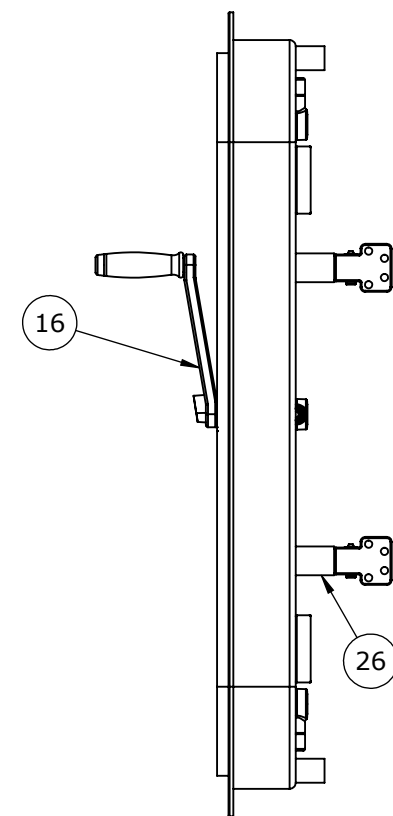
PROJECT TITLE  
**SWIM PLATFORM HATCH (N96-15)**

DWG TITLE  
**MODEL 3440 HATCH ASSEMBLY**

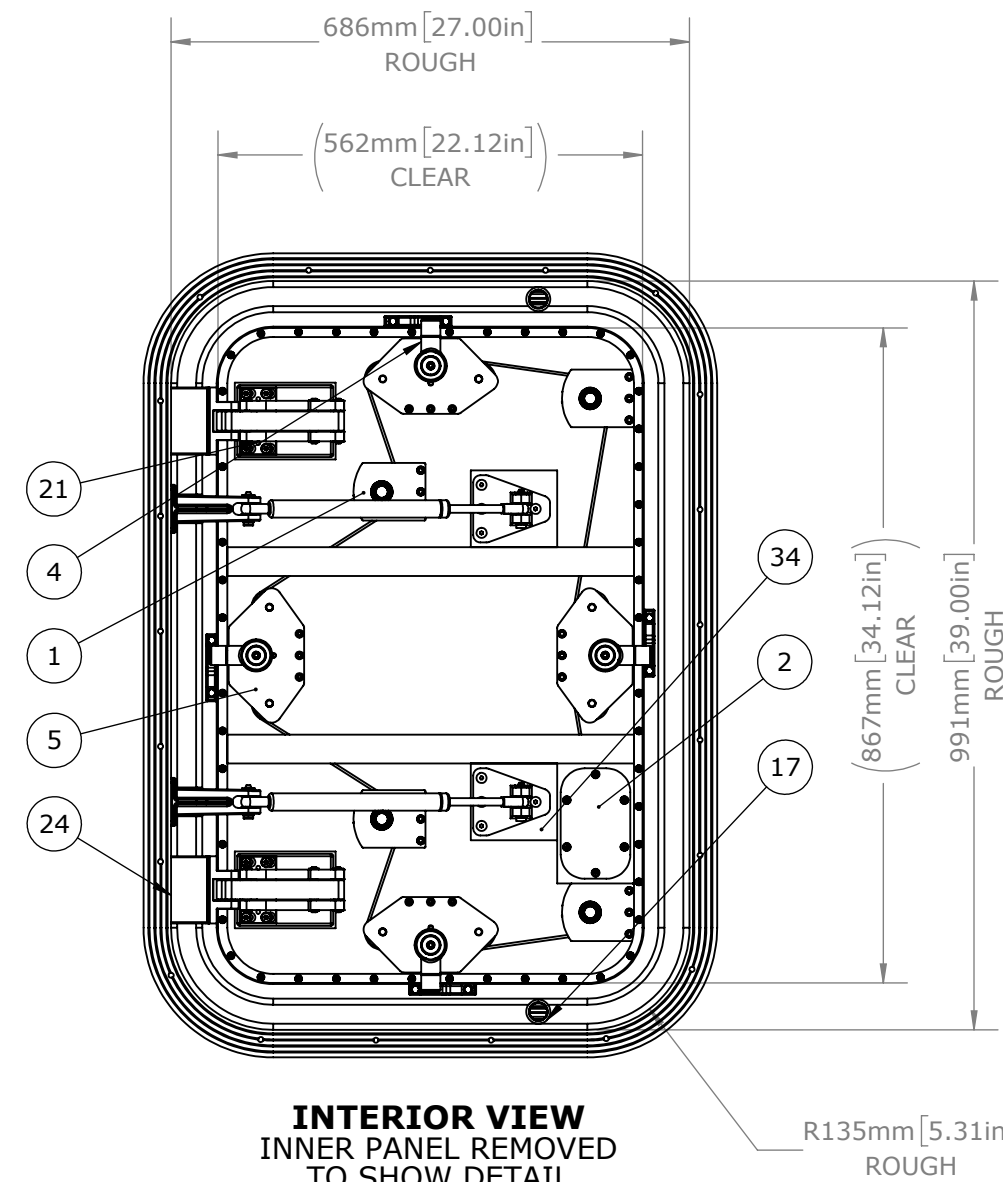
SCALE	DRAWN	DATE	CHECKED	DATE	SHEET
1:10	CR	15/02/2017	GG	16/02/2017	1 of 3
S.O. NO	DWG NO	QTY	REV		
49321	P0006998-002	1	11		



**EXTERIOR VIEW**

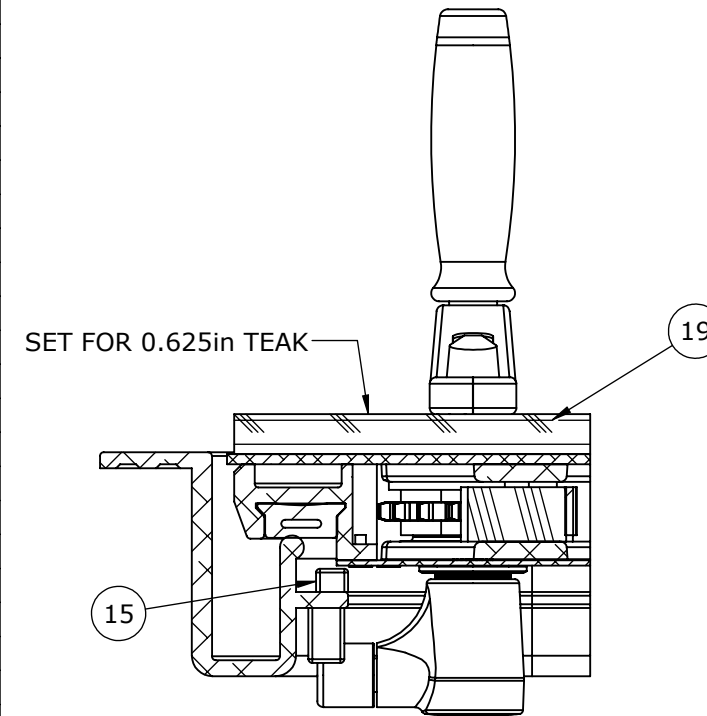


**KEY PLAN HATCH**

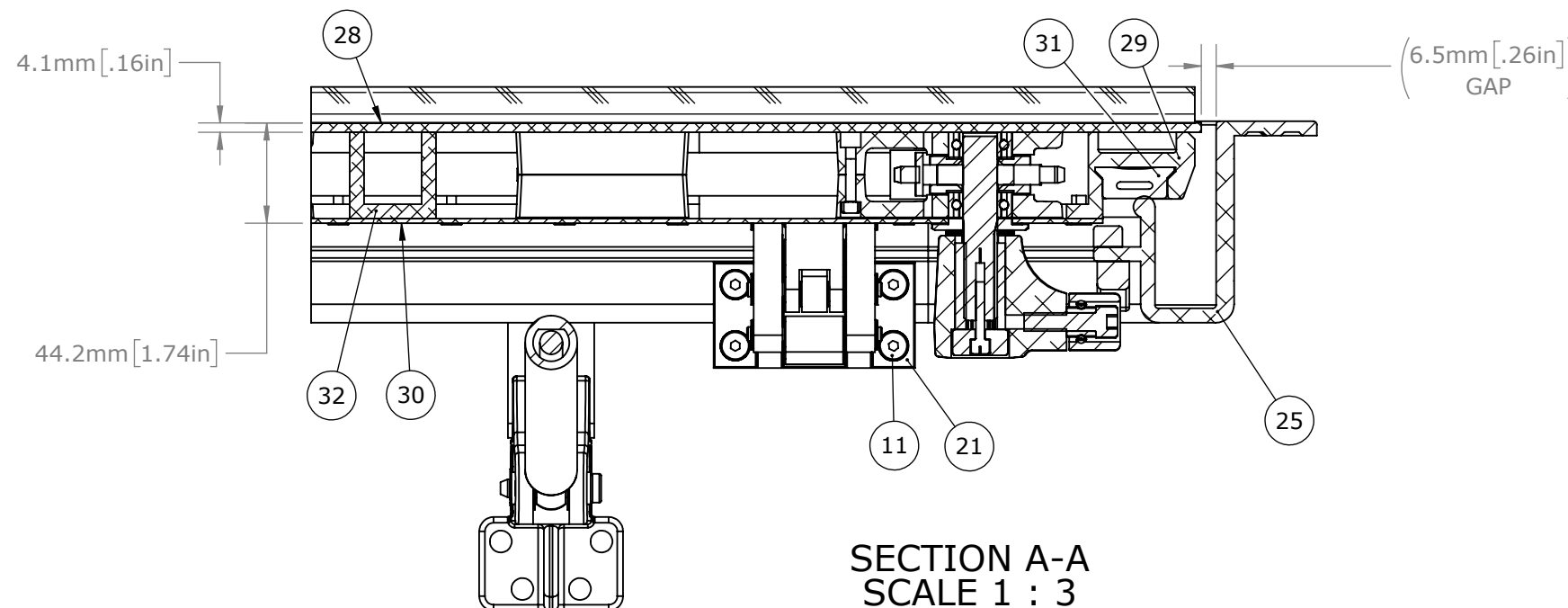


**INTERIOR VIEW  
INNER PANEL REMOVED  
TO SHOW DETAIL**

ITEM	QTY	PART NUMBER	DESCRIPTION	MATERIAL
1	4	0031-2134	IDLER ASSY, 17T S/S SPROCKET	REF S.A. BOM
2	1	0031-2135	CHAIN INSPECTION PLATE ASSY,.160	REF S.A. BOM
3	4	0031-2145	STRIKER ASSY, STRAIGHT, YACHT QUALITY	REF S.A. BOM
4	4	0221-1002	DOG, STD 1.5, ASSY, VIB FINISH	REF S.A. BOM
5	3	0261-1000	SPROCKET BLOCK ASSY, STANDARD BLIND	REF S.A. BOM
6	1	0261-1007	BI-SQ ASSY, ADJ, QA 1/2 - 3/4 TEAK, SIDE	REF S.A. BOM
7	54	0411-2025	SCREW FH P 8-32 X .50IN SS 316	316/316L
8	8	0411-2757	SCREW, SH CAP 8-32 X .375	AISI 304
9	4	0411-2769	SCREW, SOCKET FHM, M6X1X20MM	316/316L ANLD
10	8	0411-2806	SCREW, FSH, M6X25MM SS 316	SS 316/316L
11	4	0411-2986	SCREW, SFSH M6X1X40MM SS	SS 18-8 GRADE B8 CLASS II
12	2	0423-2007	GAS SPRING, 10/23 - 200	Material <not specified>
13	2	0423-2266	EYE, GAS SPRING, M10 X 1.375, POLISHED	SS 316/316L
14	2	0423-2282	SHOCK MOUNT, BRACED	356.0-F
15	4	0433-2081	COMPRESSION STOP	POM Acetal Copolymer
16	1	0435-2012	HANDLE, WINCH: HAR B8AL 8 LOCK-IN ALUM	VARIES
17	2	0435-2022	FITTING, 3/4-14 NPT, GUTTER DRAIN	ALUMINUM, 6063-T1
18	54	0441-2137	ISOLATOR, 8-32 FLH SCREW	ACETRON GP
19	1	0441-2404	NUT, Q.A. ADJ. BI-SQUARE, PCM, CCW	SS 316/316L
20	1	0443-1010	TURNBUCKLE ASSY W/LOCK, 1.75, 5/16-18	REF S.A. BOM
21	2	0461-2259	HINGE, CONCEALED ARTICULATING, STANDARD	REF S.A. BOM
22	2	0462-2621	POCKET, PANEL, HINGE, ARTICULATING	6061-T6
23	2	0462-2622	BLOCK, MOUNT, PANEL, HINGE, ARTICULATING	6061-T4
24	2	0462-2623	BLOCK, MOUNT, CMG, HINGE, ARTICULATING, AL	6061 Alloy
25	1	P0006998-002-101	COAMING	EXTRUSION AL 6061-T4 (0611-9001)
26	2	P0006998-002-105	COAMING, SHOCK MOUNTING BLOCK	BAR, AL 6061-T6511 1.5X2IN RECT (0611-9521)
27	1	P0006998-002-106	DRIVE CHAIN	CHAIN, 40 PITCH ROLLER SS (0443-2008)
28	1	P0006998-002-201	EXTERIOR SKIN	PLATE, AL 5052-H32 .16IN.(0711-2098)
29	1	P0006998-002-202	GASKET RETAINER	EXTRUSION AL 6061-T4 (0611-9004)
30	1	P0006998-002-203	INTERIOR SKIN	PLATE, AL 5052-H32 .08IN. (0711-2093)
31	1	P0006998-002-204	GASKET	GASKET, DIE #1163 25 DURO NEOPRENE (0631-9832)
32	1	P0006998-002-207	STIFFENERS	CHANNEL, AL 6061-T6 1.5X1.5X.25IN (0611-9538)
33	1	P0006998-002-216	INSULATION, 1.5in THK	FOIL-BACK FOAM BOARD 1.5IN THK (0911-2002) (0911-2002)
34	2	P0006998-002-221	GAS SPRING MOUNT BLOCK	BAR, AL 6061-T6511 1.5X4IN RECT (0611-9534)
35	2	P0006998-002-230	PIN, 14/28-250 GAS SPRING ASSEMBLY	REF S.A. BOM
36	2	P0006998-002-300	GAS SPRING MOUNT PLATE ASSEMBLY	REF S.A. BOM



SECTION D-D  
SCALE 1 : 3



SECTION A-A  
SCALE 1 : 3

**REVISIONS**

SEE SHEET 1

**GENERAL NOTES**

SEE SHEET 1

**UNLESS OTHERWISE SPECIFIED**  
DIMENSIONS ARE IN MILLIMETERS,  
TOLERANCES FOR ROUGH AND CLEAR OPENING ±3mm (.125")  
ALL OTHERS ARE:

METRIC			ANGLES
X	.X	.XX	±2°
±2.5	±.8	±.25	
INCH			ANGLES
X	.XX	.XXX	±2°
±.1	±.03	±.01	

**CUSTOMER APPROVAL**

IMPORTANT! THIS DRAWING SUPERSEDES ALL OTHER DOCUMENTS. By signing this approval you accept and agree that the dimensions and details shown are correct and properly fit your application, regardless of any differences between this drawing and any prior contract specifications. Should you have any questions or see any errors, DO NOT SIGN THIS APPROVAL until the drawing is corrected.

SIGN \_\_\_\_\_ DATE \_\_\_\_\_  
BAR CODE \_\_\_\_\_ CAGE CODE \_\_\_\_\_



COPYRIGHT 2016 ADVANTEC GLOBAL INNOVATIONS. ALL RIGHTS RESERVED. CONFIDENTIAL PROPERTY OF ADVANTEC GLOBAL INNOVATIONS. UNAUTHORIZED USE, REPRODUCTION OR DISTRIBUTION IS STRICTLY PROHIBITED. COPIES REMAIN THE PROPERTY OF ADVANTEC GLOBAL INNOVATIONS AND MUST BE RETURNED UPON REQUEST.

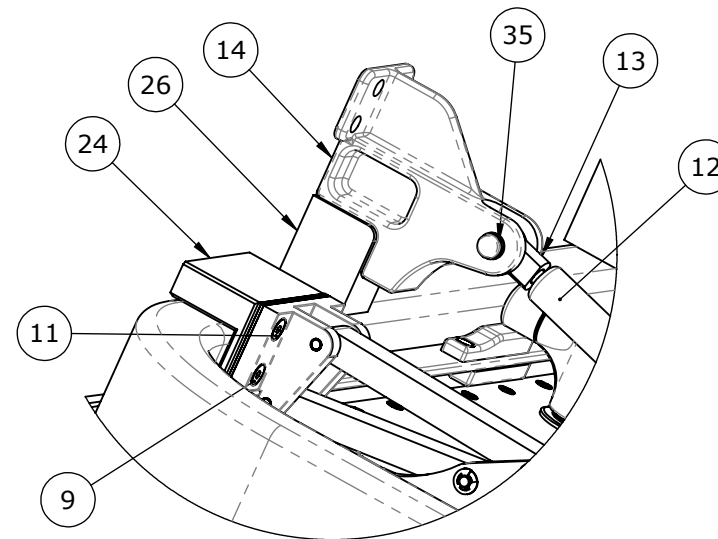
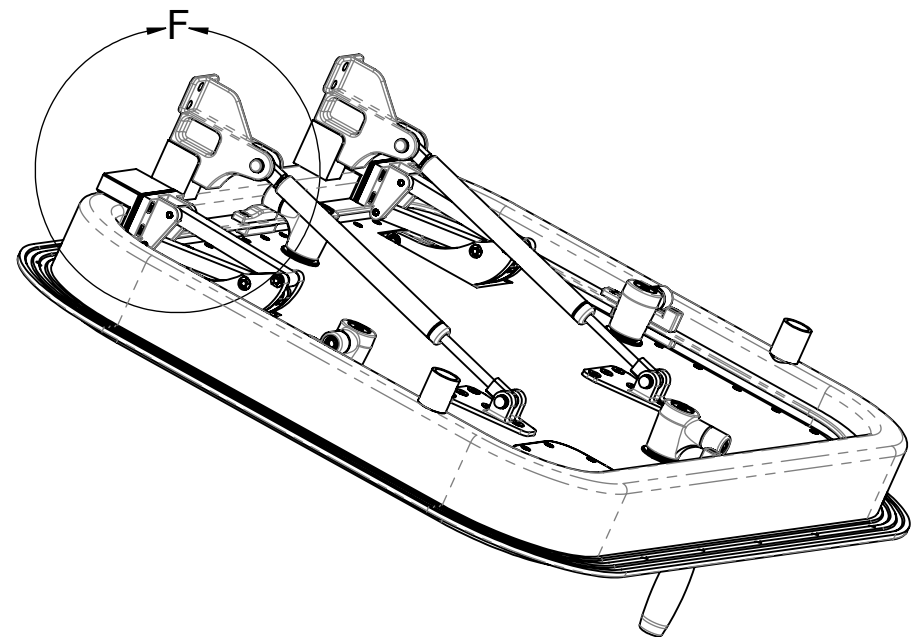
CLIENT  
**NORDHAVN (PAE)**

PROJECT TITLE  
**SWIM PLATFORM HATCH (N96-15)**

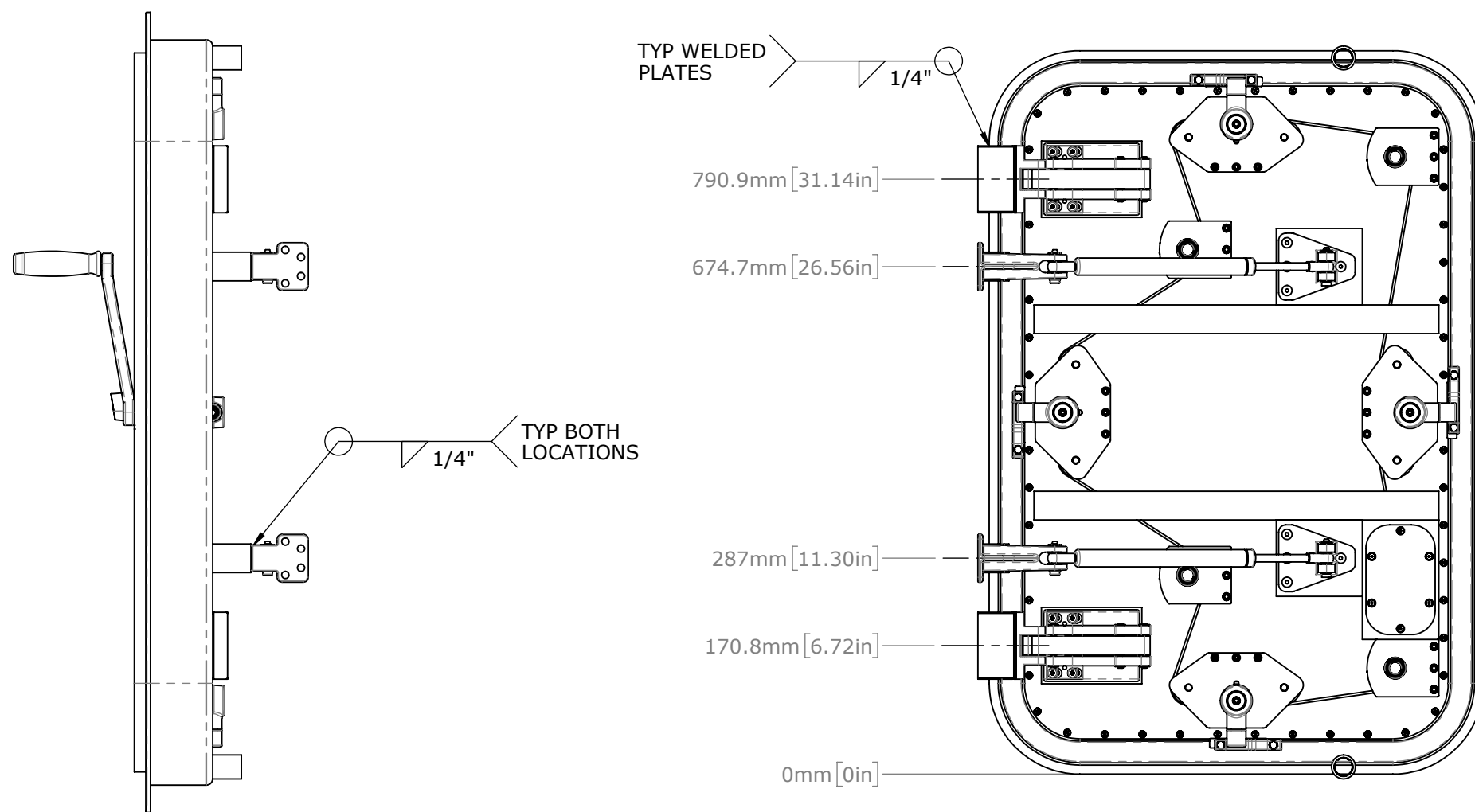
DWG TITLE  
**MODEL 3440 HATCH ASSEMBLY**

SCALE	DRAWN	DATE	CHECKED	DATE	SHEET
1:20	CR	15/02/2017	GG	16/02/2017	2 of 3

S.O. NO	DWG NO	QTY	REV
49321	P0006998-002	1	11



DETAIL F  
SCALE 1 : 4



**REVISIONS**

SEE SHEET 1

**GENERAL NOTES**

SEE SHEET 1

**UNLESS OTHERWISE SPECIFIED**  
DIMENSIONS ARE IN MILLIMETERS,  
TOLERANCES FOR ROUGH AND CLEAR OPENING ±3mm (.125")  
ALL OTHERS ARE:

METRIC			ANGLES
X	.X	.XX	±2°
±2.5	±.8	±.25	
INCH			ANGLES
X	.XX	.XXX	±2°
±.1	±.03	±.01	

**CUSTOMER APPROVAL**

IMPORTANT! THIS DRAWING SUPERSEDES ALL OTHER DOCUMENTS. By signing this approval you accept and agree that the dimensions and details shown are correct and properly fit your application, regardless of any differences between this drawing and any prior contract specifications. Should you have any questions or see any errors, DO NOT SIGN THIS APPROVAL until the drawing is corrected.

SIGN \_\_\_\_\_ DATE \_\_\_\_\_  
BAR CODE \_\_\_\_\_ CAGE CODE \_\_\_\_\_



**PACIFIC COAST MARINE**  
An Advantec Company

COPYRIGHT 2016 ADVANTEC GLOBAL INNOVATIONS. ALL RIGHTS RESERVED. CONFIDENTIAL PROPERTY OF ADVANTEC GLOBAL INNOVATIONS. UNAUTHORIZED USE, REPRODUCTION OR DISTRIBUTION IS STRICTLY PROHIBITED. COPIES REMAIN THE PROPERTY OF ADVANTEC GLOBAL INNOVATIONS AND MUST BE RETURNED UPON REQUEST.

CLIENT  
**NORDHAVN (PAE)**

PROJECT TITLE  
**SWIM PLATFORM HATCH (N96-15)**

DWG TITLE  
**MODEL 3440 HATCH ASSEMBLY**

SCALE	DRAWN	DATE	CHECKED	DATE	SHEET
1:8	CR	15/02/2017	GG	16/02/2017	3 of 3
S.O. NO	DWG NO	QTY	REV		
49321	P0006998-002	1	11		