

SCHEDULE OF MATERIALS		
PC.	MATERIAL	REMARKS
30	STAINLESS	
31	MILD STEEL	
32	MILD STEEL	

SCHEDULE OF MATERIALS		
PC.	MATERIAL	REMARKS
1	MILD STEEL	
2	MILD STEEL	
3	NEOPRENE	
4	MILD STEEL	
5	MILD STEEL	
6	BRASS	
7	STAINLESS	
8	STAINLESS	
9	FORGED STEEL	
10	FORGED STEEL	
11	TEFLON	
12	MILD STEEL	
13	PLATED STEEL	
14	COLD FINISH	
15	MILD STEEL	
16	PLATED STEEL	
17	OLITE BRONZE	
18	MILD STEEL	
19	MILD STEEL	
20	MILD STEEL	
21	PLATED STEEL	
22	MILD STEEL	
23	OLITE BRONZE	
24	COLD FINISH	
25	FORGED STEEL	
26	MILD STEEL	
27	MILD STEEL	
28	BRASS	
29	MILD STEEL	

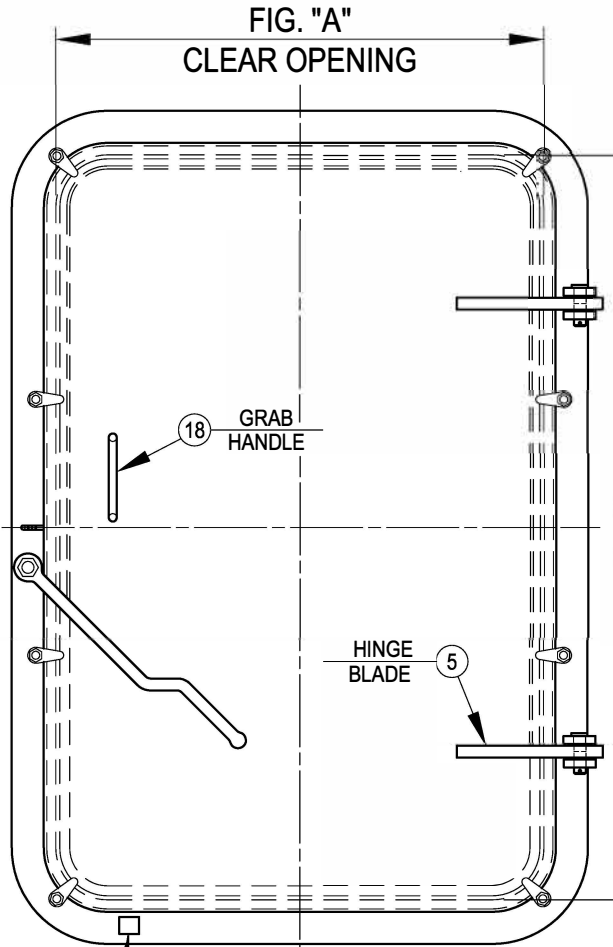
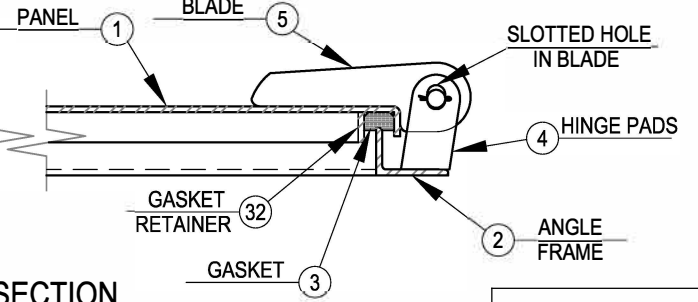
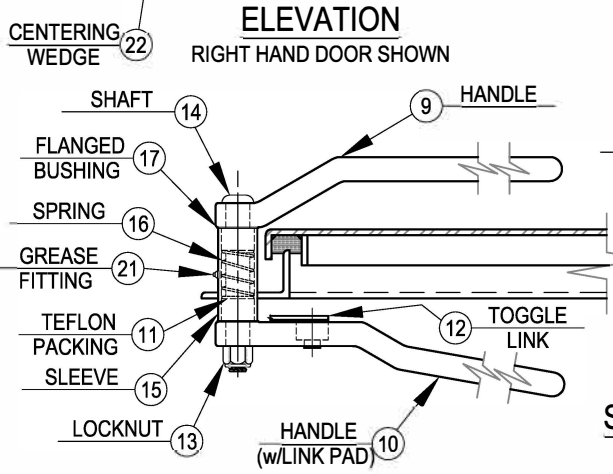
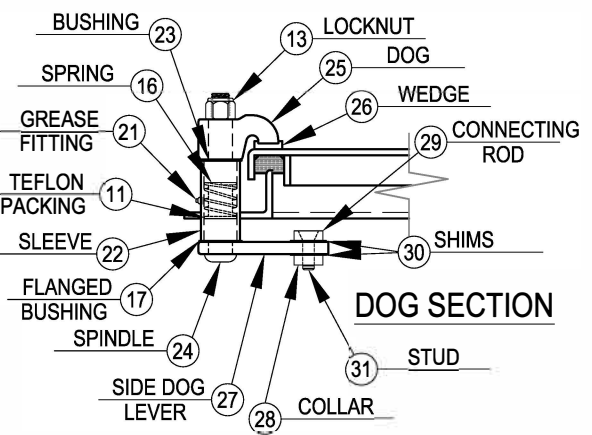
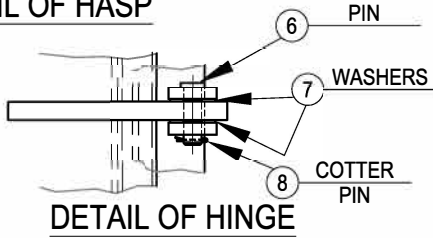


FIG. "B"
CLEAR OPENING



AdvanTec Manufacturing
 Gold Beach, OR, USA
 QUICK ACTING LEVER TYPE DOOR
 DWG. NO.: 109-MS