

7. THIS DRAWING PROVIDES THE GENERAL CONFIGURATION OF A DOOR FOR MORE DETAILED INFORMATION, CONTACT FREEMAN MARINE SALES.
6. FINISH, PANEL - TOP COAT BRISTOL SHAPE - AWLGRIP / COLOR TO BE DETERMINED.
5. FINISH, COAMING - TOP COAT BASE SYSTEM, NO FAIRING - AWLGRIP / COLOR TO BE DETERMINED.
4. RADIUS CORNER PANEL.
3. WEATHERTIGHT CONSTRUCTION.
2. PANEL SKIN THICKNESS AS DESCRIBED IN CONFIGURATION DETAIL.
1. OUTWARD OPENING, RIGHT HAND, PER FREEMAN STANDARD.

NOTES: UNLESS OTHERWISE SPECIFIED.

A

CUSTOMER APPROVAL

Signature: _____
Date: _____

IMPORTANT! THIS DRAWING SUPERSEDES ALL OTHER DOCUMENTS. By signing this approval you accept and agree that the dimensions and details shown are correct and properly fit your application, regardless of any differences between this drawing and any contract specifications. Should you see any errors in the drawing, or have any questions, please contact your Freeman Marine sales engineer for clarification.

REV.	DESCRIPTION:	DATE:	DRAWN:
-	INITIAL RELEASE		

SPECIFICATIONS SUBJECT TO CHANGE WITHOUT NOTICE.

PROJECTION

UNLESS OTHERWISE SPECIFIED DIMENSIONS ARE IN INCHES, TOLERANCES FOR ROUGH AND CLEAR OPENING ± .125 INCH. ALL OTHERS ARE:

.X	.XX	.XXX	ANGLES
±.1	±.03	±.010	±2°

DO NOT SCALE DRAWING

FREEMAN MARINE EQUIPMENT, INC.

28336 HUNTER CREEK ROAD
GOLD BEACH, OR 97444 U.S.A.
PHONE: 541-247-7078 FAX: 541-247-2114
www.freemanmarine.com

CONFIDENTIAL PROPERTY OF FREEMAN MARINE EQUIPMENT INC. UNAUTHORIZED USE, COPYING OR DISTRIBUTION IS STRICTLY PROHIBITED. POSSESSOR OF THIS DOCUMENT AGREES TO THE FOREGOING AND SHALL RETURN THIS DOCUMENT UPON REQUEST. © ALL RIGHTS RESERVED 2004

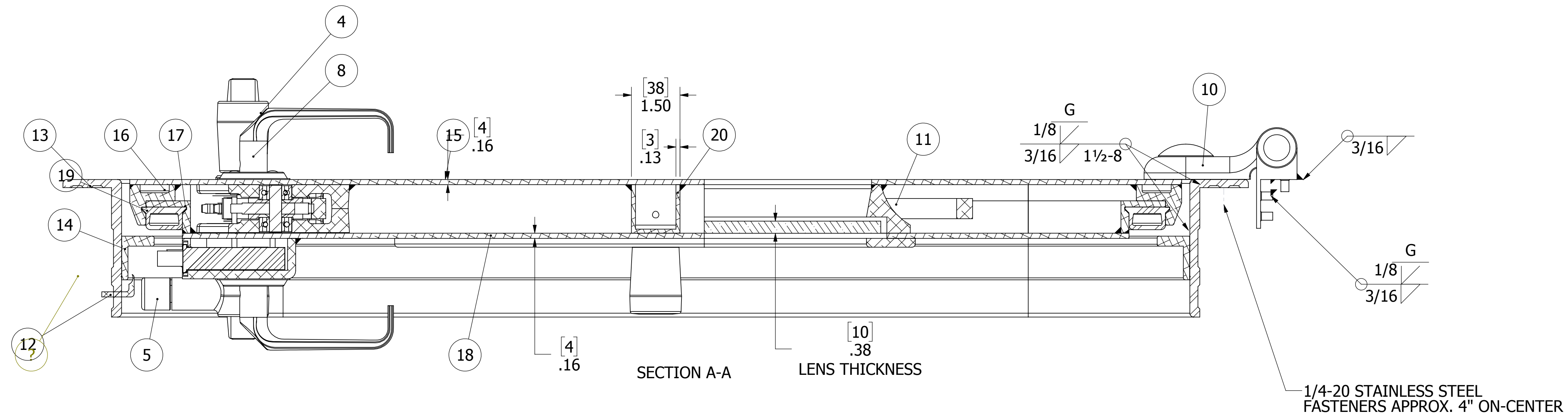
CLIENT: **FREEMAN MARINE**

TITLE: **DOOR, SINGLE LEAF, MODEL 1430**

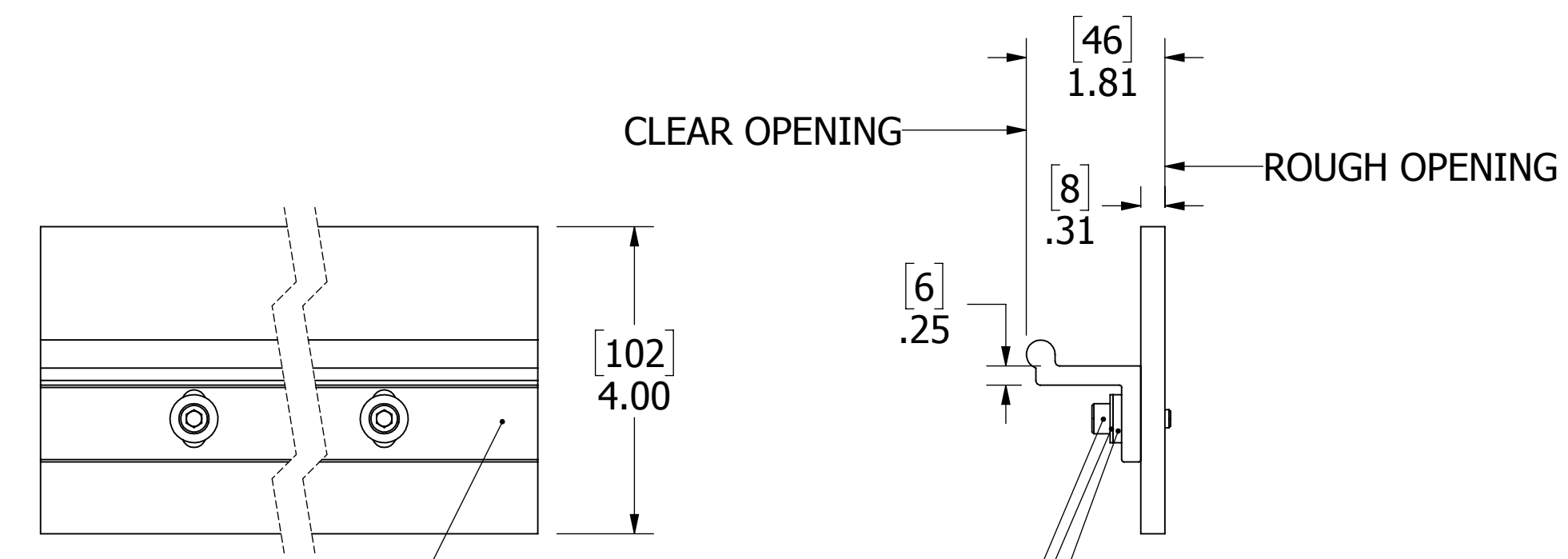
DRAWN:	DATE:	CHECKED:	DATE:	ENGR:	DATE:	DESIGN ACTIVITY:	DATE:	CONTRACT NO.:

SIZE	CAGE CODE	DRAWING NUMBER	REV.
D	64747	1430-1035-1007-20-0	-
SCALE: 1:6	CALC. WT.	ACT. WT.	SHEET 1 OF 2

D
C
B
A



TYP. COAMING DETAIL



EXTRUSION, ADJUSTABLE KNIFE EDGE STOP

- SCREW, SH CAP, M6X1X20, EP
- WASHER, FLAT, 1/4, 316 S/S
- WASHER, .280 X .625 X .112, NYLON

ITEM NO.	QTY.	PART NUMBER	DESCRIPTION	MATERIAL
21	1	0443-2008	CHAIN, 40 PITCH ROLLER	STAINLESS STEEL
20	1	1430-6-1001-1007-20-0-206	STIFFENER, INTERNAL (0611-9508)	ALUMINUM, 6061 Alloy
19	1	1430-6-1001-1007-20-0-205	GASKET, IN-PANEL (0631-9864)	SILICONE, WHITE, 35-40 DURO.
18	1	1430-6-1001-1007-20-0-204	PLATE, PANEL - INSIDE (0711-2098)	ALUMINUM, 5052 Alloy
17	1	1430-6-1001-1007-20-0-203	PANEL FRAME (0611-9006)	ALUMINUM, 6061 Alloy
16	1	1430-6-1001-1007-20-0-202	PANEL FRAME (0611-9005)	ALUMINUM, 6061 Alloy
15	1	1430-6-1001-1007-20-0-201	PLATE, PANEL - OUTSIDE (0711-2098)	ALUMINUM, 5052 Alloy
14	1	1430-6-1001-1007-20-0-102	STOP, ADJUSTABLE (0611-9060)	ALUMINUM, 6061-F
13	1	1430-6-1001-1007-20-0-101	COAMING (0615-9501)	STEEL, 1018 CR
12	1	P0003523-001-104	STRIKER GUARD	316L STAINLESS STEEL
11	1	5190-1007-19	PORT, MODEL 12 AL, WELD-IN	WINDOW: MODEL 12, 3/8 GRAY GLASS,(5190-1007-20) REF. S/A - B.O.M.
10	3	0461-2103	HINGE, SURFACE, EURO, FLOATING	VARIOUS
9	1	0443-1010	TURNBUCKLE ASSY W/LOCK, 1.75, 5/16-18	VARIOUS
8	1	0422-2079	LOCKSET	REF. S/A - B.O.M.
7	1	0261-1001	SPROCKET BLOCK ASSY, EXTERIOR ACTUATOR	REF. S/A - B.O.M.
6	5	0261-1000	SPROCKET BLOCK ASSY, STANDARD BLIND	ALUMINUM
5	1	0221-1050	HANDLE ASSY, LH ACTUATOR, 2.2	ALUMINUM W/ STAINLESS STEEL BEARING
4	1	0221-1016	LEVER HANDLE	REF. S/A - B.O.M.
3	5	0221-1007	DOG, STD 2.2 POLISHED	REF. S/A - B.O.M.
2	1	0031-2135	CHAIN INSPECTION PLATE ASSY,.160	ALUMINUM
1	1	0031-2134	IDLER ASSY, 17T S/S SPROCKET	REF. S/A - B.O.M.

SPECIFICATIONS SUBJECT TO CHANGE WITHOUT NOTICE.

PROJECTION

UNLESS OTHERWISE SPECIFIED DIMENSIONS ARE IN INCHES, TOLERANCES FOR ROUGH AND CLEAR OPENING ± .125 INCH. ALL OTHERS ARE:

.X .XX .XXX ANGLES
±.1 ±.03 ±.010 ±2°

DO NOT SCALE DRAWING

FREEMAN MARINE EQUIPMENT, INC.

28336 HUNTER CREEK ROAD
GOLD BEACH, OR 97444 U.S.A.
PHONE: 541-247-7078 FAX: 541-247-2114
www.freemanmarine.com

CLIENT: FREEMAN MARINE
TITLE: DOOR, SINGLE LEAF, MODEL 1430

CONFIDENTIAL PROPERTY OF FREEMAN MARINE EQUIPMENT INC.
UNAUTHORIZED USE, COPYING OR DISTRIBUTION IS STRICTLY PROHIBITED. POSSESSOR OF THIS DOCUMENT AGREES TO THE FOREGOING AND SHALL RETURN THIS DOCUMENT UPON REQUEST.
© ALL RIGHTS RESERVED 2004
DRAWN: DATE:
CHECKED: DATE:
ENGR: DATE:
DESIGN ACTIVITY: DATE:
CONTRACT NO.:

SIZE: D
CAGE CODE: 64747
DRAWING NUMBER: 1430-1035-1007-20-0
REV. -
SCALE: 1:2
CALC. WT.
ACT. WT.
SHEET 2 OF 2

REV.	DESCRIPTION	DATE	DRAWN
-	INITIAL RELEASE		