

EXTERIOR VIEW

KEY PLAN  
OUTWARD OPENING  
LEFT HAND

INTERIOR VIEW  
PANEL REMOVED  
TO SHOW  
INTERNAL DETAIL

8. THIS DRAWING PROVIDES THE GENERAL CONFIGURATION OF A DOOR FOR MORE DETAILED INFORMATION, CONTACT FREEMAN MARINE SALES.
7. FINISH, PANEL - PRIMER BASE COAT - AWLGRIP.
6. FINISH, COAMING - PRIMER BASE COAT - AWLGRIP.
5. SHIPYARD INSTALLED VIA: BOLTING, COAMING FLANGE DRILLED FOR 1/4" FLATHEAD FASTENERS, APPROX. 6" ON-CENTERS.
4. RADIUS CORNER PANEL.
3. WEATHERTIGHT CONSTRUCTION.
2. PANEL SKIN THICKNESS AS DESCRIBED IN CONFIGURATION DETAIL.
1. OUTWARD OPENING, LEFT HAND, PER FREEMAN STANDARD.
- NOTES: UNLESS OTHERWISE SPECIFIED.

CUSTOMER APPROVAL

Signature: \_\_\_\_\_

Date: \_\_\_\_\_

IMPORTANT! THIS DRAWING SUPERSEDES ALL OTHER DOCUMENTS. By signing this approval you accept and agree that the dimensions and details shown are correct and properly fit your application, regardless of any differences between this drawing and any contract specifications. Should you see any errors in the drawing, or have any questions, please contact your Freeman Marine sales engineer for clarification.

SPECIFICATIONS SUBJECT TO CHANGE WITHOUT NOTICE.		
PROJECTION		
UNLESS OTHERWISE SPECIFIED DIMENSIONS ARE IN INCHES, TOLERANCES FOR ROUGH AND CLEAR OPENINGS ± .125 INCH. ALL OTHERS ARE:		
.X	.XX	.XXX ANGLES
±.1	±.03	±.010 ±2°
INITIAL RELEASE	14AUG12	SAS
REV.	DESCRIPTION:	DATE: DRAWN
		DO NOT SCALE DRAWING

**FREEMAN MARINE EQUIPMENT, INC.**  
28336 HUNTER CREEK ROAD  
GOLD BEACH, OR 97444 U.S.A.  
PHONE: 541-247-7078 FAX: 541-247-2114  
www.freemanmarine.com

CLIENT: VECTORWORKS, 95' M/Y PROJECT

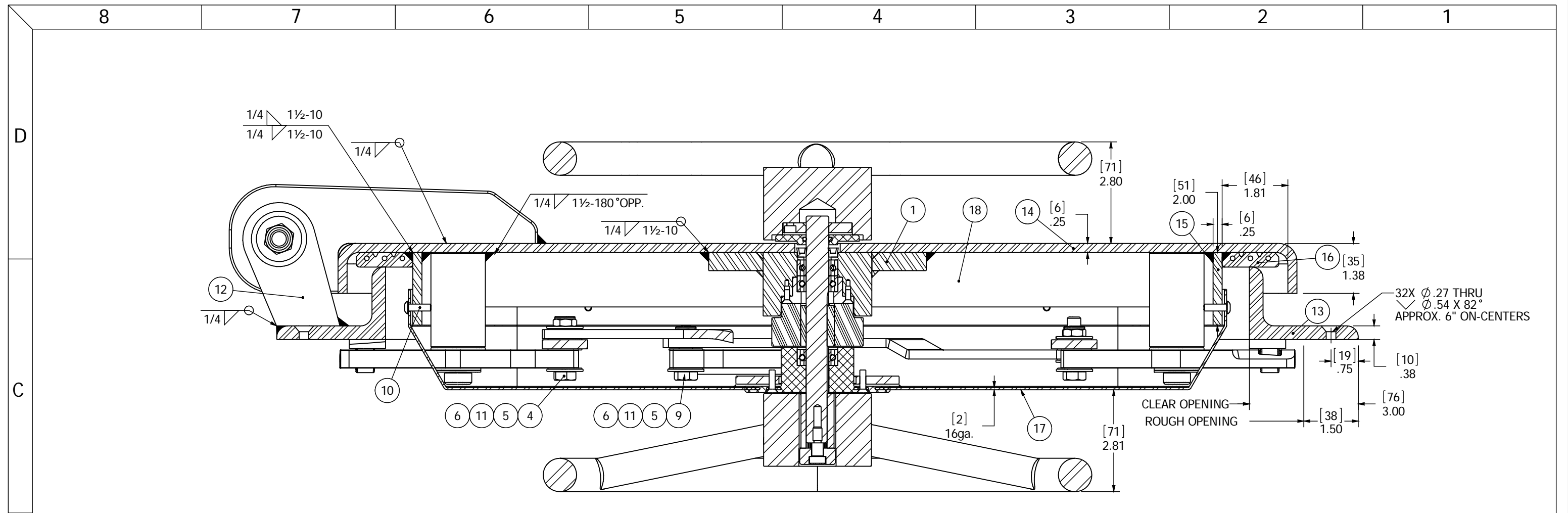
TITLE: DOOR, SINGLE LEAF, STEEL EURO PANEL  
DECK POSITION 7 - ENGINE ROOM DOOR - POS. 7

SIZE: **D** CAGE CODE: 64747 DRAWING NUMBER: P0003518-007 REV: -

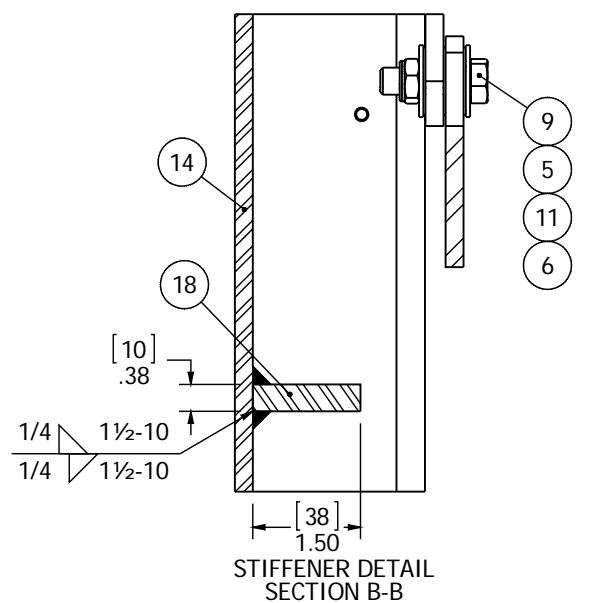
SCALE: 1:6 CALC. WT. ACT. WT. SHEET 1 OF 2

CONFIDENTIAL PROPERTY OF FREEMAN MARINE EQUIPMENT, INC. UNAUTHORIZED USE, REPRODUCTION OR DISTRIBUTION IS STRICTLY PROHIBITED. ALL COPIES REMAIN THE PROPERTY OF FREEMAN MARINE EQUIPMENT, INC. AND MUST BE RETURNED UPON REQUEST. © ALL RIGHTS RESERVED 2012, FREEMAN MARINE EQUIPMENT, INC.

DRAWN: S SNYDER DATE: 14AUG12  
CHECKED: D YODES DATE: 14AUG12  
ENGR: DATE:  
DESIGN ACTIVITY: DATE:  
CONTRACT NO.:



SECTION A-A



STIFFENER DETAIL SECTION B-B

ITEM NO.	QTY	PART NUMBER	DESCRIPTION	MATERIAL
22	1	P0003518-007-310	DRIVE BAR	STAINLESS STEEL, 316/316L
21	2	P0003518-007-309	DRIVE BAR	STAINLESS STEEL, 316/316L
20	1	P0003518-007-308	DRIVE BAR	STAINLESS STEEL, 316/316L
19	2	P0003518-007-307	DRIVE BAR	STAINLESS STEEL, 316/316L
18	1	P0003518-007-004	STIFFENER ASSEMBLY, INTERNAL	MILD STEEL
17	1	P0003518-007-304	COVER, INTERIOR (0715-2016)	MILD STEEL
16	1	P0003518-007-303	EXTRUSION, GASKET (0631-9836)	NEOPRENE, BLACK, 25 DURO
15	1	P0003518-007-302	GASKET STOP (0615-2539)	MILD STEEL
14	1	P0003518-007-301	PLATE, PANEL, EXTERIOR (0715-2014)	STEEL, A36 (ABS CERTIFIED)
13	1	P0003518-007-201	EXTRUSION, COAMING (0615-9544)	STEEL, A36
12	4	0461-2196	HINGE ASSY, BLADE, FLOAT, WELD-ON, STEEL	REF. S/A - B.O.M.
11	28	0413-2015	WASHER, .375 X .932 X .031	NYLON
10	24	0411-2748	BUTTON HEAD SCREW 10-32 x .625	STAINLESS STEEL, 316
9	8	0411-2663	BOLT, HEX HEAD, 3/8-16 x 1 1/4	STAINLESS STEEL, 316/316L
8	12	0411-2508	SCREW, 10-32 X 5/8	STAINLESS STEEL
7	2	0411-2420	FLAT WASHER, 1/2	STAINLESS STEEL, 304/304L ANLD
6	9	0411-2130	LOCKNUT, NYLON INSERT JAM, 3/8-16	STEEL, 18-8
5	18	0411-2101	WASHER, .375 X 1.00	STEEL, 316/316L
4	1	0411-2053	BOLT, HEX HEAD, 3/8-16 x 1 1/2	STAINLESS STEEL, 316/316L
3	6	0254-1024	DOG ASSY, QA, ROD DRIVE, STEEL	PER. S/A - B.O.M.
2	6	0231-2078	STRIKER, ROD DRIVE	STAINLESS STEEL, 316/316L ANLD
1	1	0031-2306	HANDLE ASSY, 15.25 WHEEL, ROD DRIVE, STEEL	PER S/A - B.O.M.

REV.	DESCRIPTION	DATE	DRAWN
-	INITIAL RELEASE	14AUG12	SAS

SPECIFICATIONS SUBJECT TO CHANGE WITHOUT NOTICE.

PROJECTION

UNLESS OTHERWISE SPECIFIED DIMENSIONS ARE IN INCHES, TOLERANCES FOR ROUGH AND CLEAR OPENING ± .125 INCH. ALL OTHERS ARE:

.X .XX .XXX ANGLES  
±.1 ±.03 ±.010 ±2°

DO NOT SCALE DRAWING

**FREEMAN MARINE EQUIPMENT, INC.**  
28336 HUNTER CREEK ROAD  
GOLD BEACH, OR 97444 U.S.A.  
PHONE: 541-247-7078 FAX: 541-247-2114  
www.freemanmarine.com

CLIENT: VECTORWORKS, 95' M/Y PROJECT

TITLE: DOOR, SINGLE LEAF, STEEL EURO PANEL  
DECK POSITION 7 - ENGINE ROOM DOOR - POS. 7

CONFIDENTIAL PROPERTY OF FREEMAN MARINE EQUIPMENT, INC. UNAUTHORIZED USE, REPRODUCTION OR DISTRIBUTION IS STRICTLY PROHIBITED. ALL RIGHTS RESERVED 2012, FREEMAN MARINE EQUIPMENT, INC.

DRAWN: S SNYDER DATE: 14AUG12  
CHECKED: D YODES DATE: 14AUG12  
ENGR: DATE:  
DESIGN ACTIVITY: DATE:  
CONTRACT NO.:

SIZE: **D** CAGE CODE: 64747 DRAWING NUMBER: P0003518-007 REV: -  
SCALE: 3:4 CALC. WT. ACT. WT. SHEET 2 OF 2