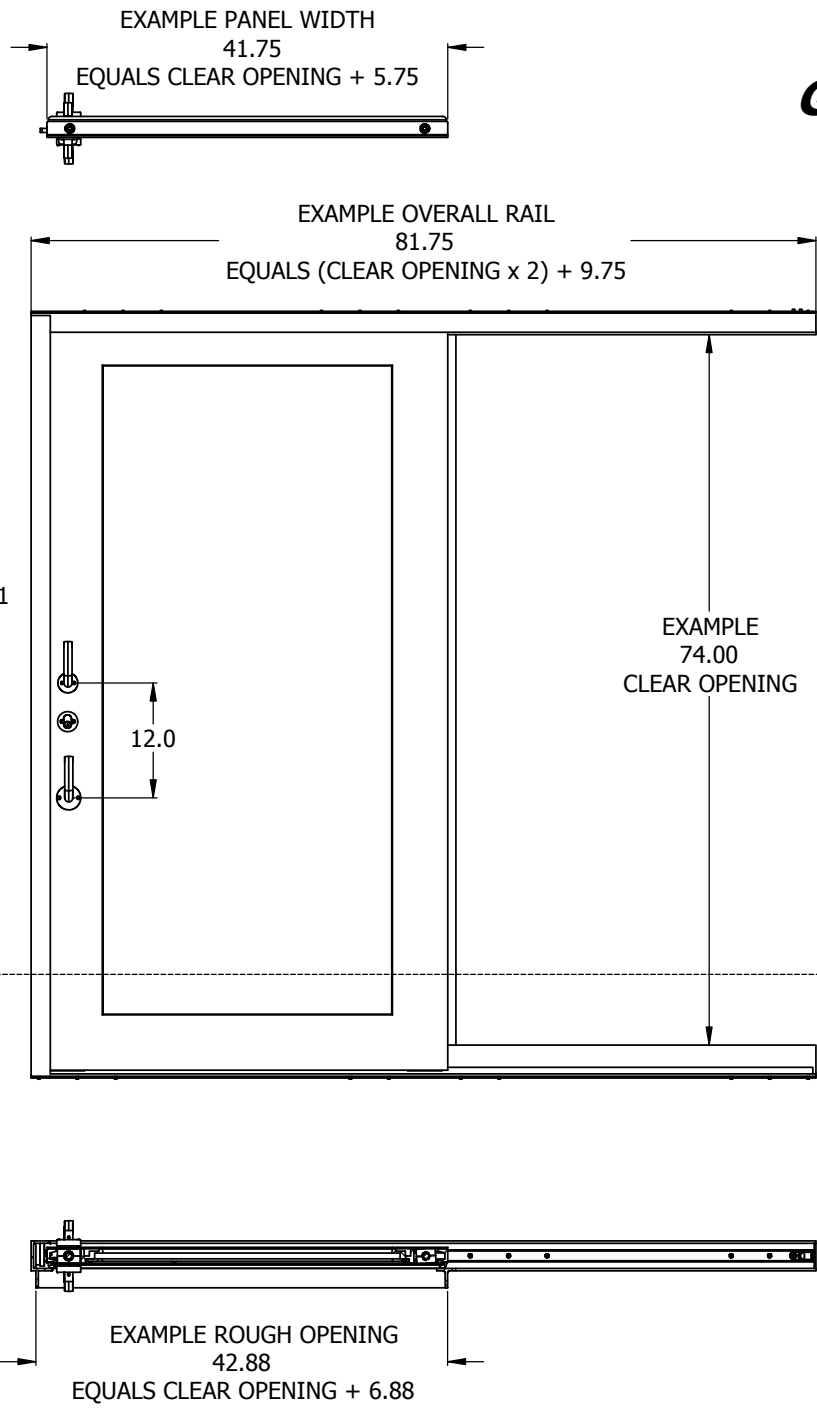
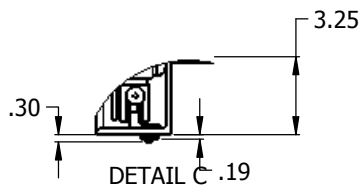
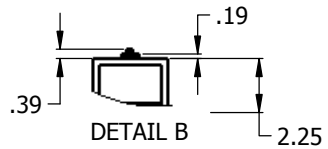
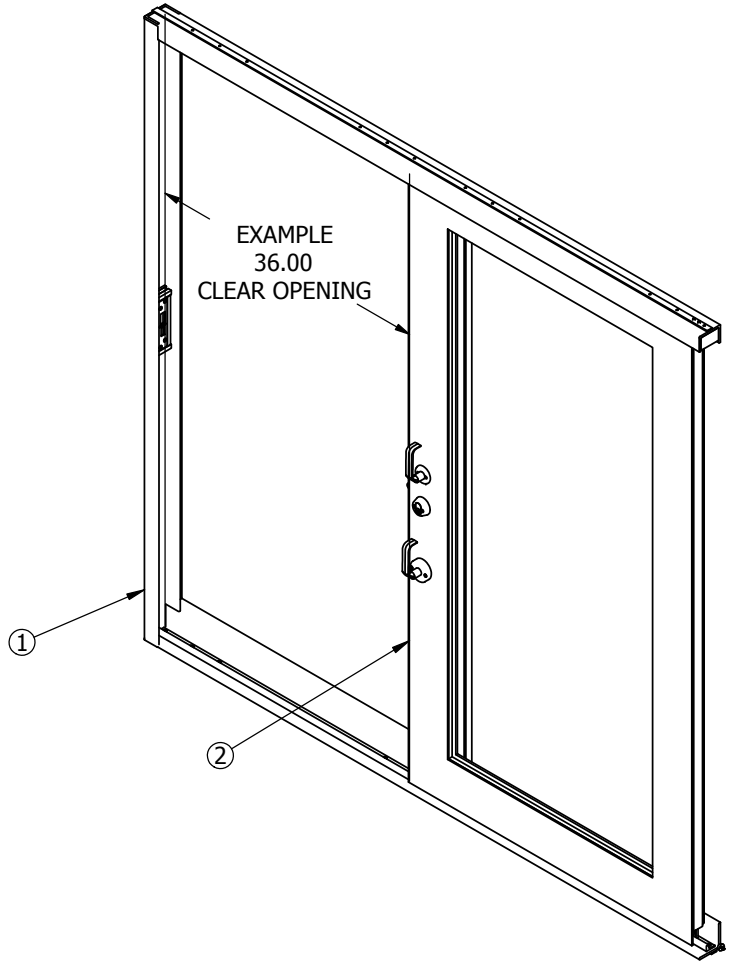
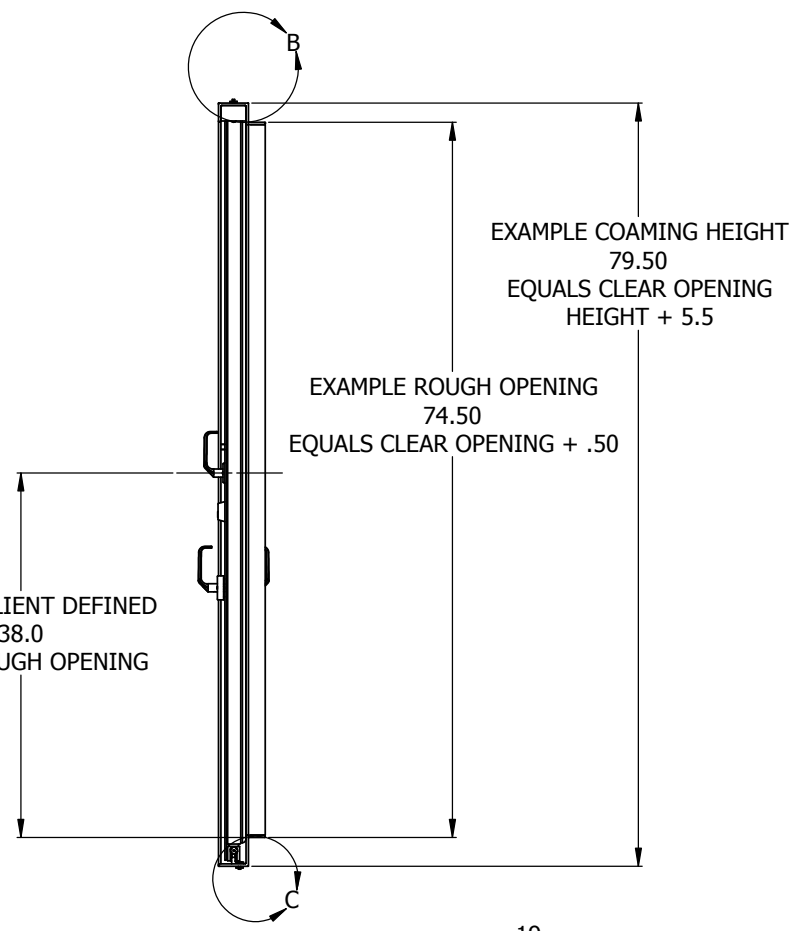
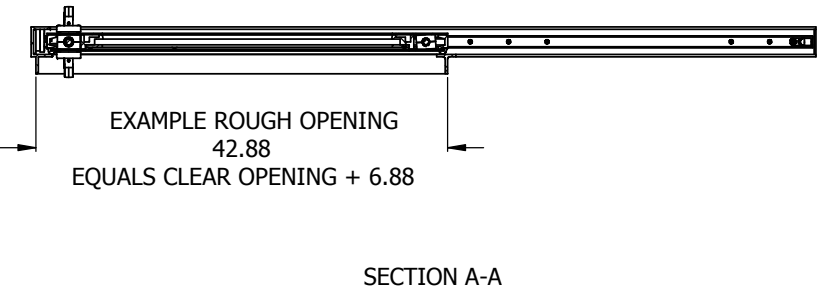


GENERAL ASSEMBLY

D
C
B
A



A



- 3. FINISH: PRIME OR TOP COAT PER PURCHASE ORDER.
 - 2. CLEAR OR ROUGH OPENING TO BE DEFINED BY PURCHASE ORDER.
 - 1. MATERIAL: SEE PARTS LIST.
- NOTES: UNLESS OTHERWISE SPECIFIED

2	1	1720-0001-003	REF. S/A - B.O.M.	PANEL, DUAL AXIS SLIDING DOOR
1	1	1720-0001-002	REF. S/A - B.O.M.	COAMING, DUAL AXIS SLIDING DOOR
ITEM NO.	QTY.	PART NO.	MATERIAL	DESCRIPTION

SPECIFICATIONS SUBJECT TO CHANGE WITHOUT NOTICE.		FREEMAN MARINE EQUIPMENT, INC.		28336 HUNTER CREEK ROAD GOLD BEACH, OR 97444 U.S.A. PHONE: 541-247-7078 FAX: 541-247-2114 www.freemanmarine.com	
UNLESS OTHERWISE SPECIFIED DIMENSIONS ARE IN INCHES, TOLERANCES FOR ROUGH AND CLEAR OPENING ± .125 INCH. ALL OTHERS ARE:		CONFIDENTIAL PROPERTY OF FREEMAN MARINE EQUIPMENT INC. UNAUTHORIZED USE, COPYING OR DISTRIBUTION IS STRICTLY PROHIBITED. POSSESSOR OF THIS DOCUMENT AGREES TO THE FOREGOING AND SHALL RETURN THIS DOCUMENT UPON REQUEST.		CLIENT: FREEMAN MARINE	
.X .XX .XXX ANGLES ±.1 ±.03 ±.010 ±2°		PROJECTION		TITLE: MODEL 1720, MANUAL SLIDING DOOR	
DO NOT SCALE DRAWING		DRAWN: GJM DATE: 02JAN03		SIZE: D CAGE CODE: 64747 DRAWING NUMBER: 1720-0001 REV: -	
INITIAL RELEASE PER ECO 0145-03 MAY03 GJM		CHECKED: DATE:		SCALE: NONE CALC. WT. X ACT. WT. X SHEET 1 OF 4	
REV. DESCRIPTION:		ENGR: DATE:		CONTRACT NO.:	

8

7

6

5

4

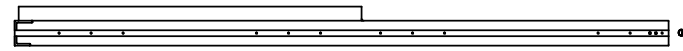
3

2

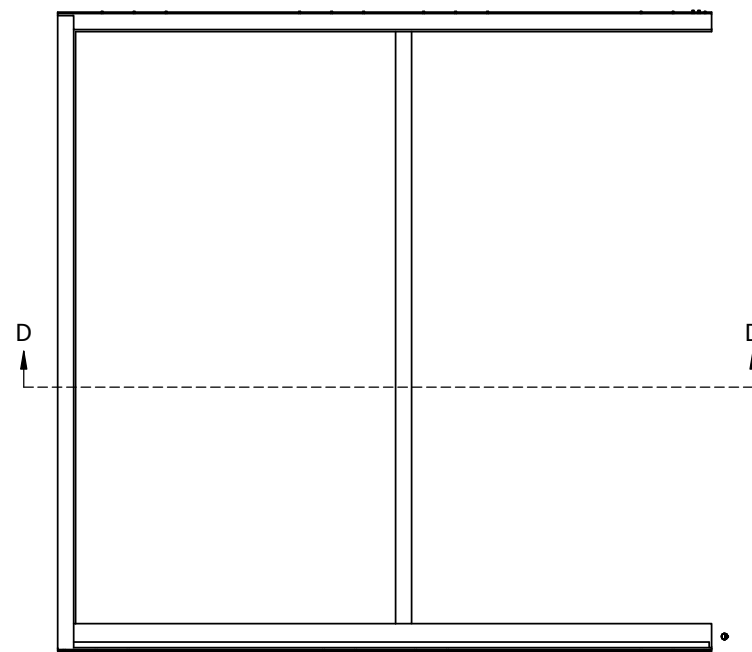
1

COAMING ASSEMBLY

D



C



B

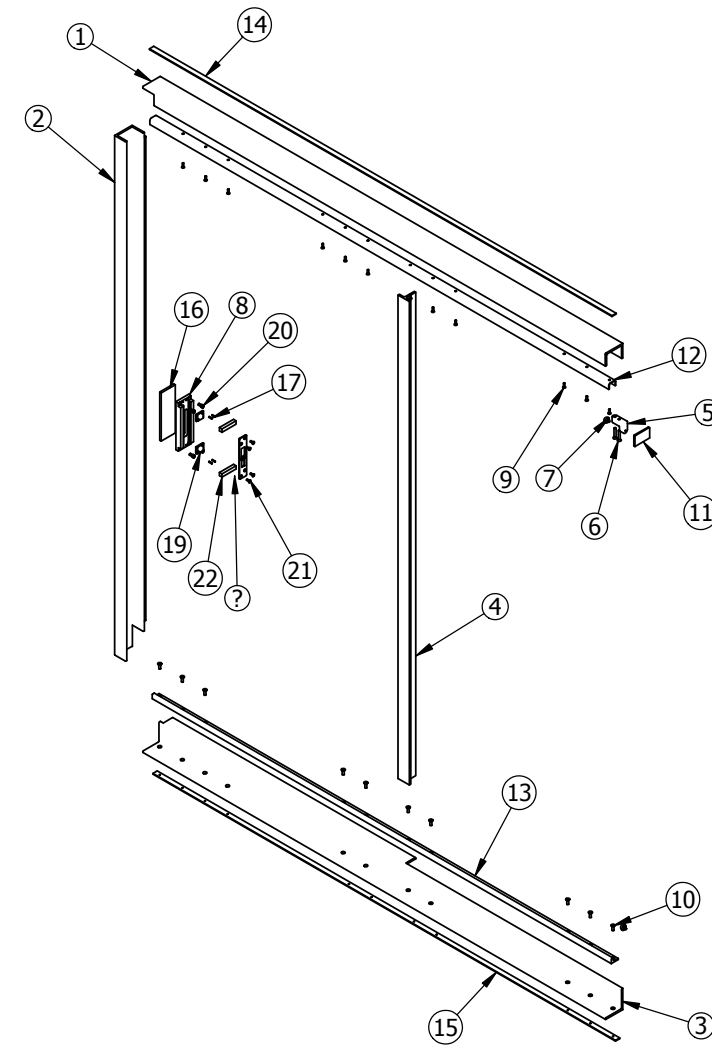


SECTION D-D

A

- 3. FINISH: PRIME OR TOP COAT PER PURCHASE ORDER.
- 2. CLEAR OR ROUGH OPENING TO BE DEFINED BY PURCHASE ORDER.
- 1. MATERIAL: SEE PARTS LIST.

NOTES: UNLESS OTHERWISE SPECIFIED



ITEM NO.	QTY.	PART NO.	MATERIAL	DESCRIPTION
22	2	0311-2019	NEOPRENE	SET BLOCK
21	4	0411-2039	STAINLESS STEEL, 316 EP	SCREW, PHILLIPS FHM, 10-24 X 1/2 EP
20	4	0411-2190	STAINLESS STEEL, 316	SCREW, SH CAP, 1/4-20 X 1/2
19	2	0422-2102	ALUMINUM	SLIDE PLATE
18	1	0422-2270	17-4 STAINLESS STEEL	STRIKER PLATE
17	4	0411-2417	316L S/S	PIN, ROLL (SPRING), 1/8 X 1/2
16	1	0445-2196	ALUMINUM	BACKING PLATE
15	1	0613-9536	STAINLESS STEEL	0613-9536 BAR STOCK (BOTTOM RETAINER)
14	1	0613-9536	STAINLESS STEEL	0613-9536 BAR STOCK (TOP RETAINER)
13	1	0445-2035	STAINLESS STEEL	RAIL, LOWER GUIDE
12	1	0613-9001	STAINLESS STEEL	BEARING CHANNEL
11	1	0711-2104	ALUMINUM	END CAP
10	10	0411-2509	316 STAINLESS STEEL, 316	SCREW, SOCKET FHM, 1/4-20 X 3/4 EP
9	12	0411-2084	STAINLESS STEEL, 304	SCREW, PHILLIPS FHM, 10-24X5/8 S/S EP
8	1	0422-2101	ALUMINUM	STRIKER BASE, DUAL AXIS SLIDING DOOR
7	2	0445-2016	RUBBER	BUMPER
6	2	0411-2271	STAINLESS STEEL	SCREW, PHILLIPS FHM, 1/4-20X 1-1/2
5	1	0445-2013	ALUMINUM	STOP BRACKET
4	1	0611-9505	ALUMINUM	0611-9505 EXTRUSION (DOOR JAMB)
3	1	0611-9012	ALUMINUM	0611-9012 EXTRUSION (BOTTOM RAIL)
2	1	0611-9013	ALUMINUM	0611-9013 EXTRUSION (VERTICAL MEMBER)
1	1	0611-9014	ALUMINUM	0611-9014 EXTRUSION (TOP RAIL)

SPECIFICATIONS SUBJECT TO CHANGE WITHOUT NOTICE.

PROJECTION

UNLESS OTHERWISE SPECIFIED DIMENSIONS ARE IN INCHES, TOLERANCES FOR ROUGH AND CLEAR OPENING ± .125 INCH. ALL OTHERS ARE:

.X .XX .XXX ANGLES
±.1 ±.03 ±.010 ±2°

DO NOT SCALE DRAWING

FREEMAN MARINE EQUIPMENT, INC.

28336 HUNTER CREEK ROAD
GOLD BEACH, OR 97444 U.S.A.
PHONE: 541-247-7078 FAX: 541-247-2114
www.freemanmarine.com

CONFIDENTIAL PROPERTY OF FREEMAN MARINE EQUIPMENT INC.
UNAUTHORIZED USE, COPYING OR DISTRIBUTION IS STRICTLY PROHIBITED. POSSESSOR OF THIS DOCUMENT AGREES TO THE FOREGOING AND SHALL RETURN THIS DOCUMENT UPON REQUEST.

CLIENT: FREEMAN MARINE

TITLE: MODEL 1720, MANUAL SLIDING DOOR

SIZE: D

CAGE CODE: 64747

DRAWING NUMBER: 1720-0001

SCALE: NONE

CONTRACT NO.:

DATE: 02JAN03

DATE:

DATE:

DATE:

REV. -

ACT. WT. X

SHEET 2 OF 4

INITIAL RELEASE PER ECO 0145-03	MAY03	GJM
DESCRIPTION:	DATE:	DRAWN

8

7

6

5

4

3

2

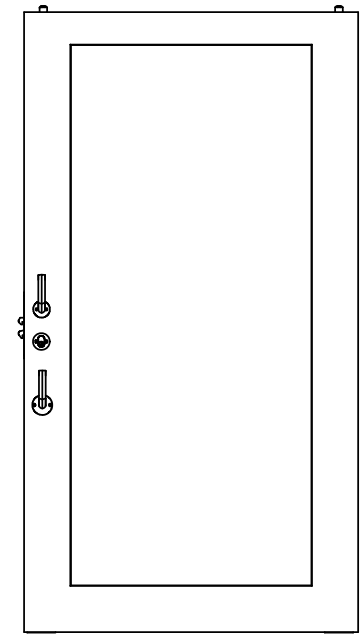
1

PANEL ASSEMBLY

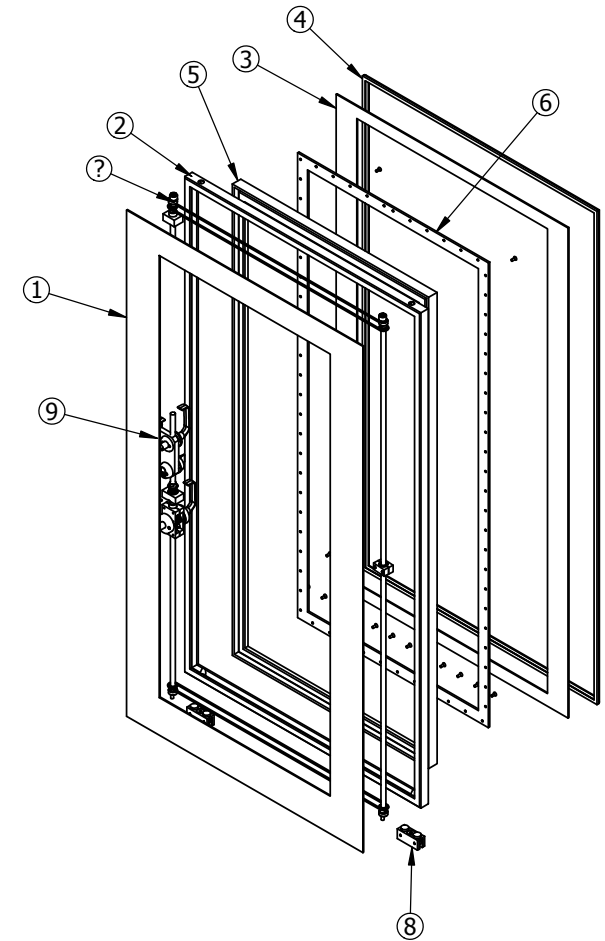
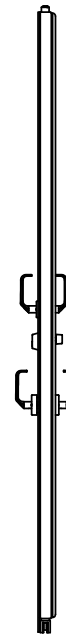
D



C



B



A

- 3. FINISH: PRIME OR TOP COAT PER PURCHASE ORDER.
 - 2. CLEAR OR ROUGH OPENING TO BE DEFINED BY PURCHASE ORDER.
 - 1. MATERIAL: SEE PARTS LIST.
- NOTES: UNLESS OTHERWISE SPECIFIED

10	15	0411-2470	STAINLESS STEEL	SCREW, PHILLIPS OHM	
9	1	0422-1069	REF. S/A - B.O.M.	LOCKSET	
8	2	0445-2027	REF. S/A - B.O.M.	DUAL AXIS CAR	
	2	0445-2004	STAINLESS STEEL	0445-2004 CHAIN 3/8 PITCH	
	2	0445-2030	STAINLESS STEEL 316L	SPROCKET, 9T	
	1	0441-2017	STAINLESS STEEL	BEARING, .375 ID X .950 OD X .600 WD	
	1	0411-2057	STAINLESS STEEL 316	E-RING	
	2	0411-2064	STAINLESS STEEL 316	PIN, SPIROL MDP: 3/16 X 3/4, S/S	
	3	0441-2100	STAINLESS STEEL	BEARING, .625 ID X 1.125 OD X .430 WD	
	2	0411-2014	STAINLESS STEEL 316	SCREW, SH CAP, 1/4-20 X 1	
	1	0445-2021	6061 ALUMINUM	STABILIZER BLOCK, C'BORED	
	1	0445-2020	6061 ALUMINUM	STABILIZER BLOCK, TAPPED	
	1	0031-2026	REF. S/A BOM	STABILIZER ASSEMBLY	
	1	0445-2081	STAINLESS STEEL	0445-2081 SHAFT	
	1	0445-1006	REF. S/A - B.O.M.	STABILIZER & ROD ASSEMBLY	
	1	0411-2264	STAINLESS STEEL 316L	PIN, DOWEL, 3/16 X 1 S/S	
	1	0441-2100	STAINLESS STEEL	BEARING, .625 ID X 1.125 OD X .430 WD	
	1	0445-2030	STAINLESS STEEL 316L	SPROCKET, 9T	
	1	0445-2080	STAINLESS STEEL, .625 DIA	SHAFT, DUAL AXIS DRIVE	
	1	0445-1008	REF. S/A - B.O.M.	LOWER ROD ASSEMBLY	
	1	0445-2178	REF. S/A - B.O.M.	ACTUATOR ASSY, DUAL AXIS SLIDING DOOR	
	1	0445-1007	REF. S/A - B.O.M.	UPPER ROD ASSEMBLY	
	7	1	0445-1002	REF. S/A - B.O.M.	CHAIN ACTION MECH
	6	1	0611-8592	ALUMINUM	0611-8592 EXTRUSION (WINDOW RETAINER)
	5	1	0611-8057	ALUMINUM	0611-8057 EXTRUSION (WINDOW FRAME)
	4	1	0631-8820	NEOPRENE	0631-8820 GASKET
	3	1	0711-2098	5052 ALUMINUM .160 THICK	INTERIOR SKIN
	2	1	0611-9010	ALUMINUM	0611-9010 PANEL EXTRUSION
	1	1	0711-2098	5052 ALUMINUM .160 THICK	0711-2098 EXTERIOR SKIN
ITEM NO.	QTY.	PART NO.	MATERIAL	DESCRIPTION	

SPECIFICATIONS SUBJECT TO CHANGE WITHOUT NOTICE.		FREEMAN MARINE EQUIPMENT, INC.		28336 HUNTER CREEK ROAD GOLD BEACH, OR 97444 U.S.A. PHONE: 541-247-7078 FAX: 541-247-2114 www.freemanmarine.com	
UNLESS OTHERWISE SPECIFIED DIMENSIONS ARE IN INCHES, TOLERANCES FOR ROUGH AND CLEAR OPENING ± .125 INCH. ALL OTHERS ARE:				CLIENT: FREEMAN MARINE	
.X .XX .XXX ANGLES		DRAWN: GJM DATE: 02JAN03		TITLE: MODEL 1720, MANUAL SLIDING DOOR	
±.1 ±.03 ±.010 ±2°		CHECKED: DATE:		SIZE: D	
DO NOT SCALE DRAWING		ENGR: DATE:		CAGE CODE: 64747	
- INITIAL RELEASE PER ECO 0145-03		MAY03 GJM		DRAWING NUMBER: 1720-0001	
REV. DESCRIPTION:		DATE: DRAWN		SCALE: NONE	
				CALC. WT. X	
				ACT. WT. X	
				SHEET 3 OF 4	

8

7

6

5

4

3

2

1

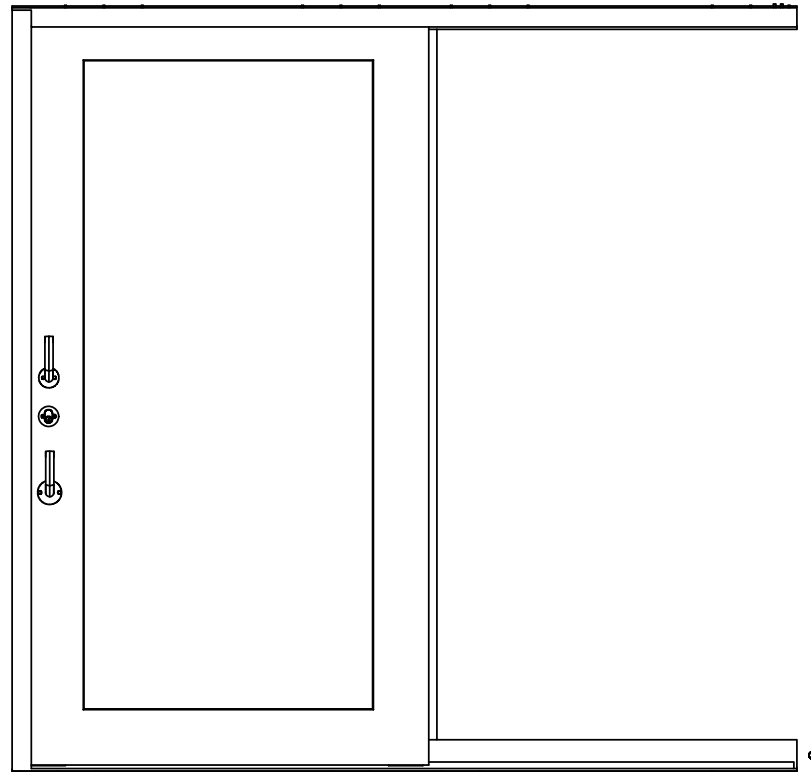
BILL OF MATERIAL

D

C

B

A



15	0411-2470	STAINLESS STEEL	SCREW, PHILLIPS OHM
1	0422-1069	REF. S/A - B.O.M.	LOCKSET
2	0445-2027	REF. S/A - B.O.M.	DUAL AXIS CAR
2	0445-2004	STAINLESS STEEL	0445-2004 CHAIN 3/8 PITCH
2	0445-2030	STAINLESS STEEL, 316L	SPROCKET, 9T
1	0441-2017	STAINLESS STEEL	BEARING, .375 ID X .950 OD X .600 WD
1	0411-2057	STAINLESS STEEL, 316	E-RING
2	0411-2064	STAINLESS STEEL, 316	PIN, SPIROL MDP: 3/16 X 3/4, S/S
3	0441-2100	STAINLESS STEEL	BEARING, .625 ID X 1.125 OD X .430 WD
2	0411-2014	STAINLESS STEEL, 316	SCREW, SH CAP, 1/4-20 X 1
1	0445-2021	6061 ALUMINUM	STABILIZER BLOCK, C'BORED
1	0445-2020	6061 ALUMINUM	STABILIZER BLOCK, TAPPED
1	0031-2026	REF. S/A BOM	STABILIZER ASSEMBLY
1	0445-2081	STAINLESS STEEL	0445-2081 SHAFT
1	0445-1006	REF. S/A - B.O.M.	STABILIZER & ROD ASSEMBLY
1	0411-2264	STAINLESS STEEL, 316L	PIN, DOWEL, 3/16 X 1 S/S
1	0441-2100	STAINLESS STEEL	BEARING, .625 ID X 1.125 OD X .430 WD
1	0445-2030	STAINLESS STEEL, 316L	SPROCKET, 9T
1	0445-2080	STAINLESS STEEL, .625 DIA	SHAFT, DUAL AXIS DRIVE
1	0445-1008	REF. S/A - B.O.M.	LOWER ROD ASSEMBLY
1	0445-2178	REF. S/A - B.O.M.	ACTUATOR ASSY, DUAL AXIS SLIDING DOOR
1	0445-1007	REF. S/A - B.O.M.	UPPER ROD ASSEMBLY
1	0445-1002	REF. S/A - B.O.M.	CHAIN ACTION MECH
1	0611-9592	ALUMINUM	0611-9592 EXTRUSION (WINDOW RETAINER)
1	0611-9057	ALUMINUM	0611-9057 EXTRUSION (WINDOW FRAME)
1	0631-9820	NEOPRENE	0631-9820 GASKET
1	0711-2098	5052 ALUMINUM, .160 THICK	INTERIOR SKIN
1	0611-9010	ALUMINUM	0611-9010 PANEL EXTRUSION
1	0711-2098	5052 ALUMINUM, .160 THICK	0711-2098 EXTERIOR SKIN
2	1720-0001-003	REF. S/A - B.O.M.	PANEL, DUAL AXIS SLIDING DOOR
2	0311-2019	NEOPRENE	SET BLOCK
4	0411-2039	STAINLESS STEEL, 316 EP	SCREW, PHILLIPS FHM, 10-24 X 1/2 EP
4	0411-2190	STAINLESS STEEL, 316	SCREW, SH CAP, 1/4-20 X 1/2
2	0422-2102	ALUMINUM	SLIDE PLATE
1	0422-2270	17-4 STAINLESS STEEL	STRIKER PLATE
4	0411-2417	316L S/S	PIN, ROLL (SPRING), 1/8 X 1/2
1	0445-2196	ALUMINUM	BACKING PLATE
1	0613-9536	STAINLESS STEEL	0613-9536 BAR STOCK (BOTTOM RETAINER)
1	0613-9536	STAINLESS STEEL	0613-9536 BAR STOCK (TOP RETAINER)
1	0445-2035	STAINLESS STEEL	RAIL, LOWER GUIDE
1	0613-9001	STAINLESS STEEL	BEARING CHANNEL
1	0711-2104	ALUMINUM	END CAP
10	0411-2509	316 STAINLESS STEEL, 316	SCREW, SOCKET FHM, 1/4-20 X 3/4 EP
12	0411-2084	STAINLESS STEEL, 304	SCREW, PHILLIPS FHM, 10-24X5/8 S/S EP
1	0422-2101	ALUMINUM	STRIKER BASE, DUAL AXIS SLIDING DOOR
2	0445-2016	RUBBER	BUMPER
2	0411-2271	STAINLESS STEEL	SCREW, PHILLIPS FHM, 1/4-20X 1-1/2
1	0445-2013	ALUMINUM	STOP BRACKET
1	0611-9505	ALUMINUM	0611-9505 EXTRUSION (DOOR JAMB)
1	0611-9012	ALUMINUM	0611-9012 EXTRUSION (BOTTOM RAIL)
1	0611-9013	ALUMINUM	0611-9013 EXTRUSION (VERTICAL MEMBER)
1	0611-9014	ALUMINUM	0611-9014 EXTRUSION (TOP RAIL)
1	1720-0001-002	REF. S/A - B.O.M.	COAMING, DUAL AXIS SLIDING DOOR
1			
ITEM NO.	QTY.	PART NO.	MATERIAL DESCRIPTION

- 3. FINISH: PRIME OR TOP COAT PER PURCHASE ORDER.
 - 2. CLEAR OR ROUGH OPENING TO BE DEFINED BY PURCHASE ORDER.
 - 1. MATERIAL: SEE PARTS LIST.
- NOTES: UNLESS OTHERWISE SPECIFIED

SPECIFICATIONS SUBJECT TO CHANGE WITHOUT NOTICE.		FREEMAN MARINE EQUIPMENT, INC.		28336 HUNTER CREEK ROAD GOLD BEACH, OR 97444 U.S.A. PHONE: 541-247-7078 FAX: 541-247-2114 www.freemanmarine.com	
UNLESS OTHERWISE SPECIFIED DIMENSIONS ARE IN INCHES, TOLERANCES FOR ROUGH AND CLEAR OPENING ± .125 INCH. ALL OTHERS ARE:				CLIENT: FREEMAN MARINE	
.X .XX .XXX ANGLES ±.1 ±.03 ±.010 ±2°		DRAWN: GJM DATE: 02JAN03		TITLE: MODEL 1720, MANUAL SLIDING DOOR	
DO NOT SCALE DRAWING		CHECKED: DATE:		SIZE: CAGE CODE: DRAWING NUMBER: REV.:	
		ENGR: DATE:		D 64747 1720-0001 -	
		DESIGN ACTIVITY: DATE:		SCALE: NONE CALC. WT. X ACT. WT. X SHEET 4 OF 4	
REV. DESCRIPTION: DATE: DRAWN		CONTRACT NO.:			