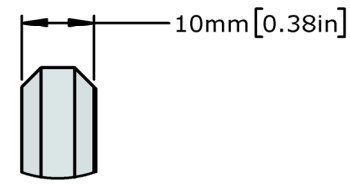


A



DETAIL A  
SCALE 1 : 1

REVISIONS

REV#	DESCRIPTION	DATE

GENERAL NOTES

- 3/8" CLEAR TEMPERED GLASS
- EDGES TO BE CHAMFERED AND POLISHED.
- BLACK OUT FRIT REQUIRED PER DIMENSIONS.
- GRAPHIC TO BE ADDED TO VIEWING AREA, TBD.

CUSTOMER APPROVAL

IMPORTANT! THIS DRAWING SUPERSEDES ALL OTHER DOCUMENTS. By signing this approval you accept and agree that the dimensions and details shown are correct and properly fit your application, regardless of any differences between this drawing and any prior contract specifications. Should you have any questions or see any errors, DO NOT SIGN THIS APPROVAL until the drawing is corrected.

SIGN \_\_\_\_\_ DATE \_\_\_\_\_

UNLESS OTHERWISE SPECIFIED, DIMENSIONS ARE IN MILLIMETERS. TOLERANCES FOR ROUGH AND CLEAR OPENINGS ARE ±3mm (.125"). ALL OTHERS ARE:

METRIC	X	.X	.XX	ANGLES
IMPERIAL	±.5 .X	±.0 .XX	±.02 .XXX	±.2° ANGLES
BAR CODE	1-1	1-03	1-010	CAGE CODE



**PACIFIC COAST  
MARINE**  
An AdvanTec Company

COPYRIGHT 2015 ADVANTEC GLOBAL INNOVATIONS. ALL RIGHTS RESERVED. CONFIDENTIAL PROPERTY OF ADVANTEC GLOBAL INNOVATIONS. UNAUTHORIZED USE, REPRODUCTION OR DISTRIBUTION IS STRICTLY PROHIBITED. COPIES REMAIN THE PROPERTY OF ADVANTEC GLOBAL INNOVATIONS AND MUST BE RETURNED UPON REQUEST.

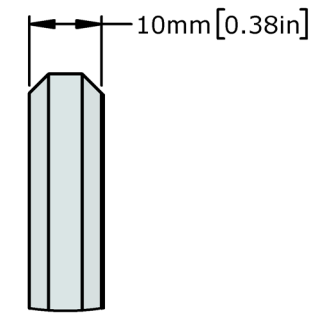
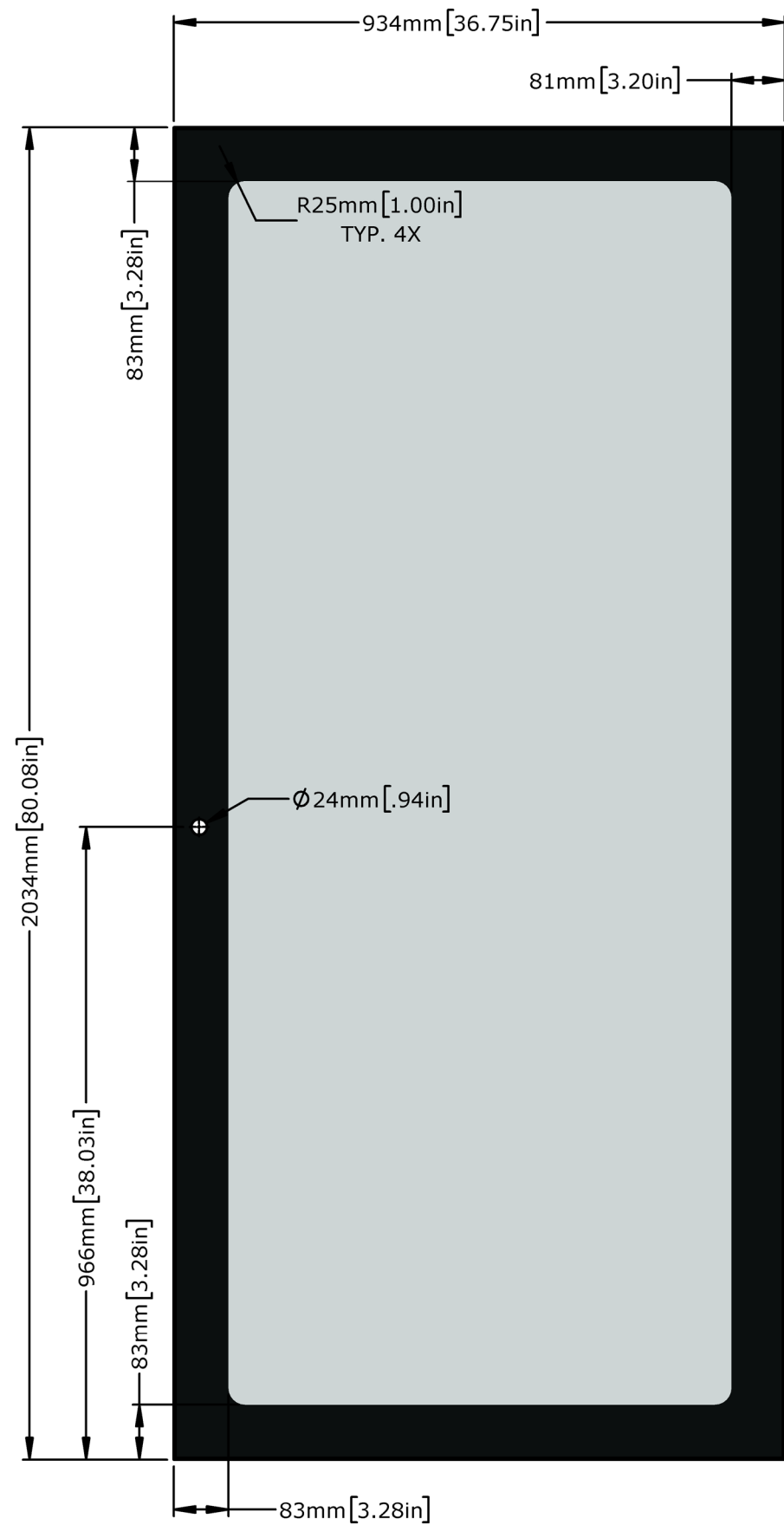
CLIENT  
**ADVANTEC MARINE**

PROJECT TITLE  
**DISPLAY**

DWG TITLE \_\_\_\_\_ QTY \_\_\_\_\_

SCALE	DRAWN	DATE	CHECKED	DATE	SIZE
1:20	WDR	7/26/17			B

S.O. NO	DWG NO	SHEET	REV
	FX-Glass Panel	1 of 1	



DETAIL A  
SCALE 1 : 1

REVISIONS

REV#	DESCRIPTION	DATE

GENERAL NOTES

- 3/8" CLEAR TEMPERED GLASS
- EDGES TO BE CHAMFERED AND POLISHED.
- BLACK OUT FRIT REQUIRED PER DIMENSIONS.
- 24MM HOLE PER DRAWING.
- GRAPHIC TO BE ADDED TO VIEWING AREA, TBD.

CUSTOMER APPROVAL

IMPORTANT! THIS DRAWING SUPERSEDES ALL OTHER DOCUMENTS. BY SIGNING THIS APPROVAL YOU ACCEPT AND AGREE THAT THE DIMENSIONS AND DETAILS SHOWN ARE CORRECT AND PROPERLY FIT YOUR APPLICATION, REGARDLESS OF ANY DIFFERENCES BETWEEN THIS DRAWING AND ANY PRIOR CONTRACT SPECIFICATIONS. SHOULD YOU HAVE ANY QUESTIONS OR SEE ANY ERRORS, DO NOT SIGN THIS APPROVAL UNTIL THE DRAWING IS CORRECTED.

SIGN \_\_\_\_\_ DATE \_\_\_\_\_

UNLESS OTHERWISE SPECIFIED, DIMENSIONS ARE IN MILLIMETERS. TOLERANCES FOR ROUGH AND CLEAR OPENINGS ARE ±3mm (.125"). ALL OTHERS ARE:

	X	.X	.XX	ANGLES
METRIC	±2.5	±.8	±.25	±2°
IMPERIAL	±.1	±.03	±.010	±2°

BAR CODE	CAGE CODE
----------	-----------



**PACIFIC COAST MARINE**  
An Advantec Company

COPYRIGHT 2015 ADVANTEC GLOBAL INNOVATIONS. ALL RIGHTS RESERVED. CONFIDENTIAL PROPERTY OF ADVANTEC GLOBAL INNOVATIONS. UNAUTHORIZED USE, REPRODUCTION OR DISTRIBUTION IS STRICTLY PROHIBITED. COPIES REMAIN THE PROPERTY OF ADVANTEC GLOBAL INNOVATIONS AND MUST BE RETURNED UPON REQUEST.

CLIENT  
**ADVANTEC MARINE**

PROJECT TITLE  
**DISPLAY**

DWG TITLE \_\_\_\_\_ QTY \_\_\_\_\_

SCALE	DRAWN	DATE	CHECKED	DATE	SIZE
1:20	WDR	7/26/17			B

S.O. NO	DWG NO	SHEET	REV
		1	
		of	
		1	

Slider Glass Panel