

EXTERIOR ELEVATION

**REVISIONS**

REV.	DESCRIPTION	BY	DATE
00	CUSTOMER REVIEW	DRD	1/8/2017
01	ADJUSTED PLATE CUT DIMENSIONS	DRD	1/17/2017
02	DIMENSIONS ADDED FOR CLARIFICATION	DRD	1/27/2017
A	PRODUCTION RELEASE	ZC	23FEB17
B	MATERIAL CHANGED FROM 0611-9982 TO 0611-9985	DRD	6/22/2017

**GENERAL NOTES**

1. WEIGHT: 94.3kg
2. FINISH: CLEAR ANODIZED
3. BUILD TO PLATE CUT

UNLESS OTHERWISE SPECIFIED, DIMENSIONS ARE IN MILLIMETERS. TOLERANCES FOR ROUGH AND CLEAR OPENINGS ARE ±3mm (.125"). ALL OTHERS ARE:

METRIC	X	.X	.XX	ANGLES
	±2.5	±.8	±.25	±2°
IMPERIAL	.X	.XX	.XXX	ANGLES
	±.1	±.03	±.010	±2°

BAR CODE	CAGE CODE
	1JX04

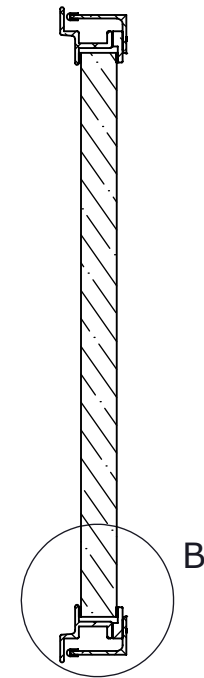
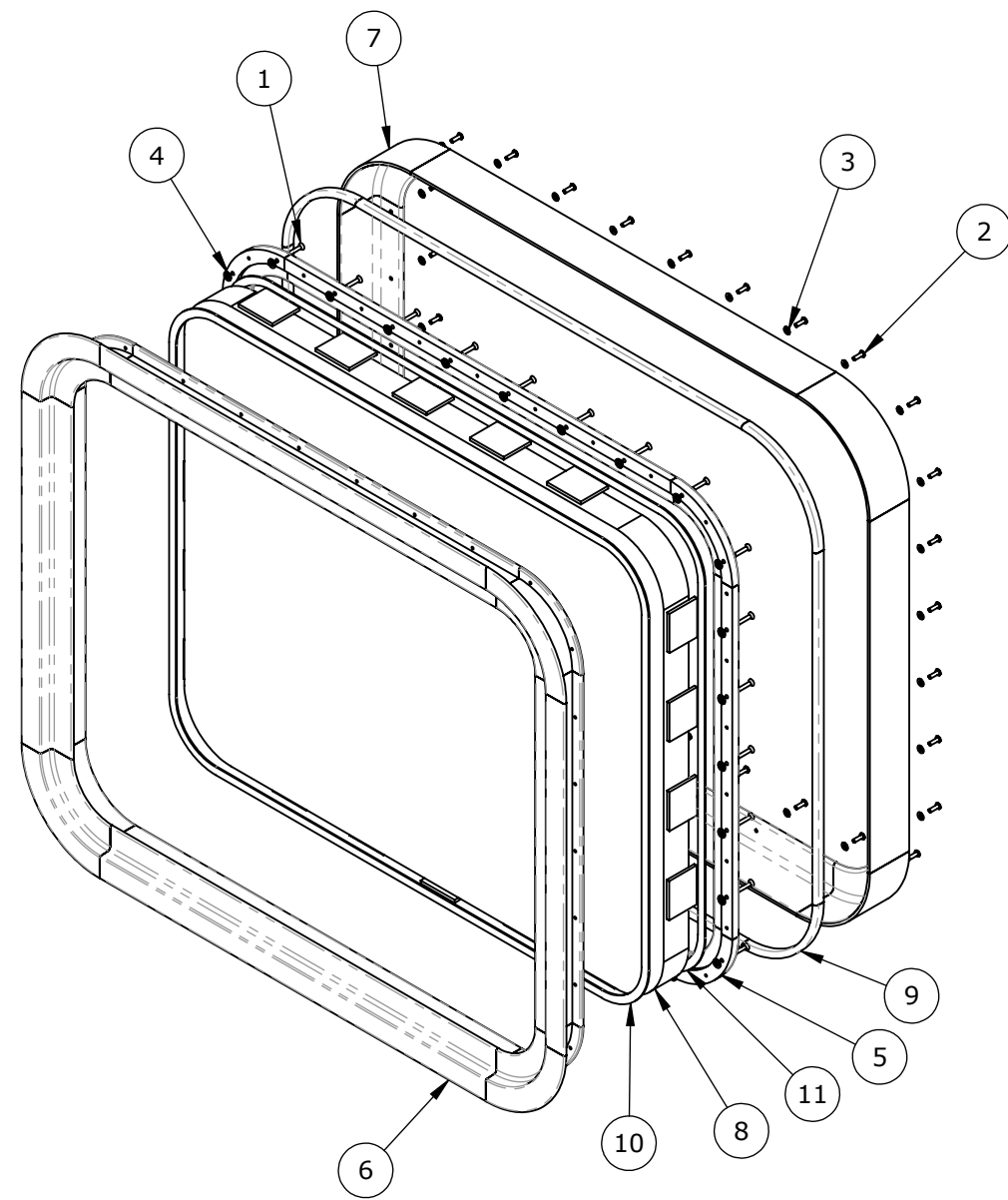


COPYRIGHT 2016 ADVANTEC GLOBAL INNOVATIONS. ALL RIGHTS RESERVED. CONFIDENTIAL PROPERTY OF ADVANTEC GLOBAL INNOVATIONS. UNAUTHORIZED USE, REPRODUCTION OR DISTRIBUTION IS STRICTLY PROHIBITED. COPIES REMAIN THE PROPERTY OF ADVANTEC GLOBAL INNOVATIONS AND MUST BE RETURNED UPON REQUEST.

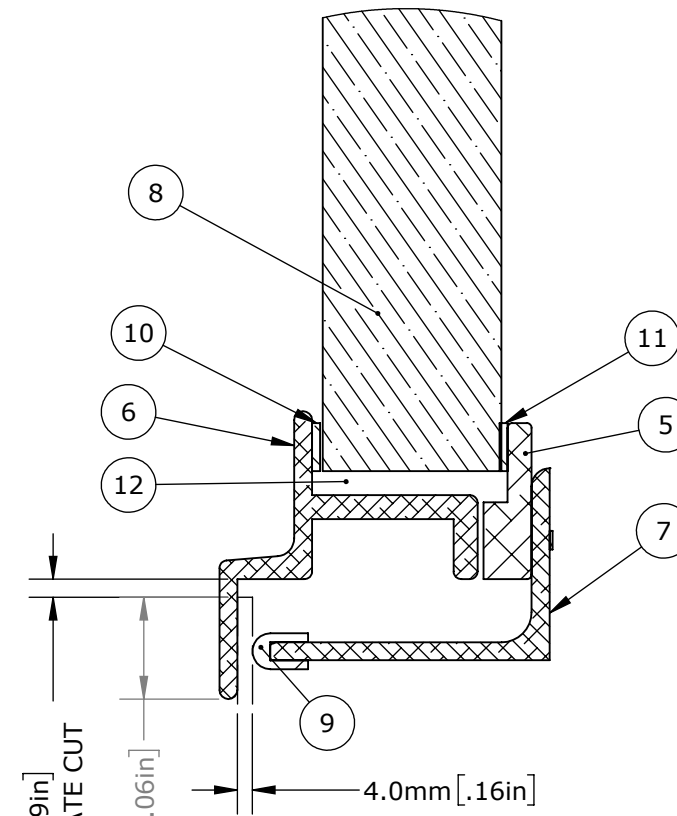
CLIENT  
PROJECT TITLE

DWG TITLE					QTY
WINDOW, MODEL 5140					
SCALE	DRAWN	DATE	CHECKED	DATE	SIZE
1:6	DRD	1/6/2017	ZJC	1/11/2017	B
S.O. NO	DWG NO			SHEET	REV
49983	P0007218-006			1 of 3	B

ITEM NO.	QTY.	PART NUMBER	DESCRIPTION	MATERIAL
1	30	0411-2222	SCREW, PHILLIPS FHM, 10-32 X 1S/S	316L STAINLESS STEEL
2	30	0411-2748	SCREW BH A 10-32 X .625IN SS 316	SS 316/316L
3	30	0413-2003	WASHER, .190 X .437 X .031, NYLON WHITE	NYLON
4	30	0413-2010	WASHER, .265 X .500 X .062	NYLON BLACK
5	1	P0007218-006-102	GLAZING RING	EXTRUSION AL 6063-T1 (0611-9851)
6	1	P0007218-006-103	MAIN FRAME	6063-T1 PCM #10069 (0611-9981)
7	1	P0007218-006-104	CLAMPING RING	ANGLE, AL 6061-T6 2x3x.188 (0611-9985)
8	1	P0007218-006-105	GLAZING	GLASS - Tempered - LAMINATED
9	1	P0007218-006-106	CLAMPING BOOT	RUBBER PCM #14654 (0631-9990)
10	1	P0007218-006-107	BEDDING TAPE	TAPE, GT-206 .125X.5IN BLK BUTYL (0331-2014)
11	1	P0007218-006-108	GLAZING TAPE	EPDM SPONGE, .5X.125IN (0331-2061)
12	18	P0007218-006-109	SETTING BLOCKS	SHEET .188IN ACETAL BK (0721-2034)



SECTION A-A



DETAIL B  
SCALE 1 : 2

**REVISIONS**

SEE PAGE 1 FOR ALL REVISIONS

**GENERAL NOTES**

1. SEE PAGE 1.

UNLESS OTHERWISE SPECIFIED, DIMENSIONS ARE IN MILLIMETERS. TOLERANCES FOR ROUGH AND CLEAR OPENINGS ARE ±3mm (.125"). ALL OTHERS ARE:

METRIC	X	.X	.XX	ANGLES
	±2.5	±.8	±.25	±2°
IMPERIAL	.X	.XX	.XXX	ANGLES
	±.1	±.03	±.010	±2°

BAR CODE	CAGE CODE
	1JX04



COPYRIGHT 2016 ADVANTEC GLOBAL INNOVATIONS. ALL RIGHTS RESERVED. CONFIDENTIAL PROPERTY OF ADVANTEC GLOBAL INNOVATIONS. UNAUTHORIZED USE, REPRODUCTION OR DISTRIBUTION IS STRICTLY PROHIBITED. COPIES REMAIN THE PROPERTY OF ADVANTEC GLOBAL INNOVATIONS AND MUST BE RETURNED UPON REQUEST.

CLIENT  
PROJECT TITLE  
DWG TITLE

WINDOW, MODEL 5140						QTY
SCALE	DRAWN	DATE	CHECKED	DATE	SIZE	
1:10	DRD	1/6/2017	ZJC	1/11/2017	B	
S.O. NO	DWG NO	SHEET	REV			
49983	P0007218-006	2 of 3	B			

**REVISIONS**

REV.	DESCRIPTION	BY	DATE
00	CUSTOMER REVIEW	DRD	1/8/2017
01	ADJUSTED PLATE CUT DIMENSIONS	DRD	1/17/2017
02	DIMENSIONS ADDED FOR CLARIFICATION	DRD	1/27/2017
A	PRODUCTION RELEASE	ZC	23FEB17
B	MATERIAL CHANGED FROM 0611-9982 TO 0611-9985	DRD	6/22/2017

**GENERAL NOTES**

- WEIGHT: 88.6kg
- GLASS, CLEAR, TEMPERED -BALLISTIC, THICKNESS 1.85"

UNLESS OTHERWISE SPECIFIED, DIMENSIONS ARE IN MILLIMETERS. TOLERANCES FOR ROUGH AND CLEAR OPENINGS ARE ±3mm (.125"). ALL OTHERS ARE:

METRIC	X	.X	.XX	ANGLES
	±2.5	±.8	±.25	±2°
IMPERIAL	.X	.XX	.XXX	ANGLES
	±.1	±.03	±.010	±2°

BAR CODE	CAGE CODE
	1JX04



**PACIFIC COAST MARINE**

COPYRIGHT 2016 ADVANTEC GLOBAL INNOVATIONS. ALL RIGHTS RESERVED. CONFIDENTIAL PROPERTY OF ADVANTEC GLOBAL INNOVATIONS. UNAUTHORIZED USE, REPRODUCTION OR DISTRIBUTION IS STRICTLY PROHIBITED. COPIES REMAIN THE PROPERTY OF ADVANTEC GLOBAL INNOVATIONS AND MUST BE RETURNED UPON REQUEST.

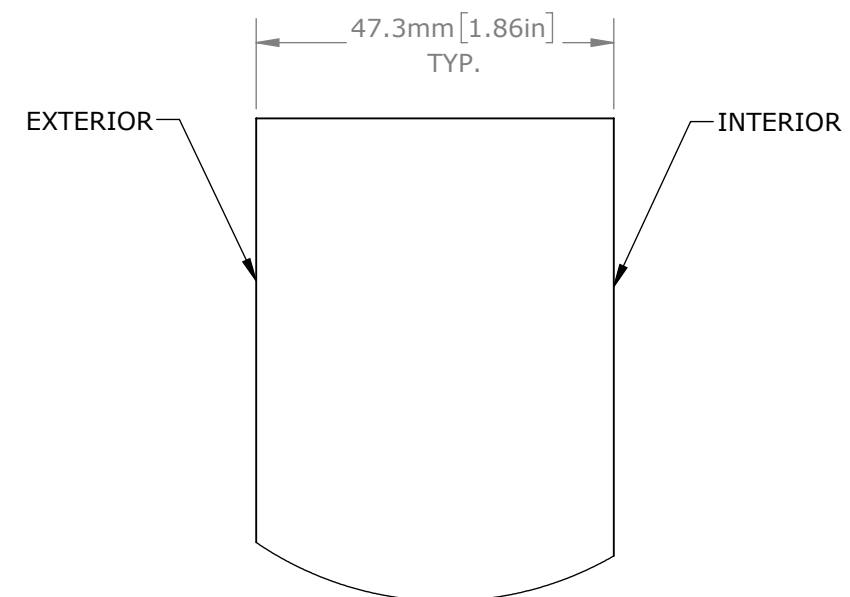
CLIENT

PROJECT TITLE

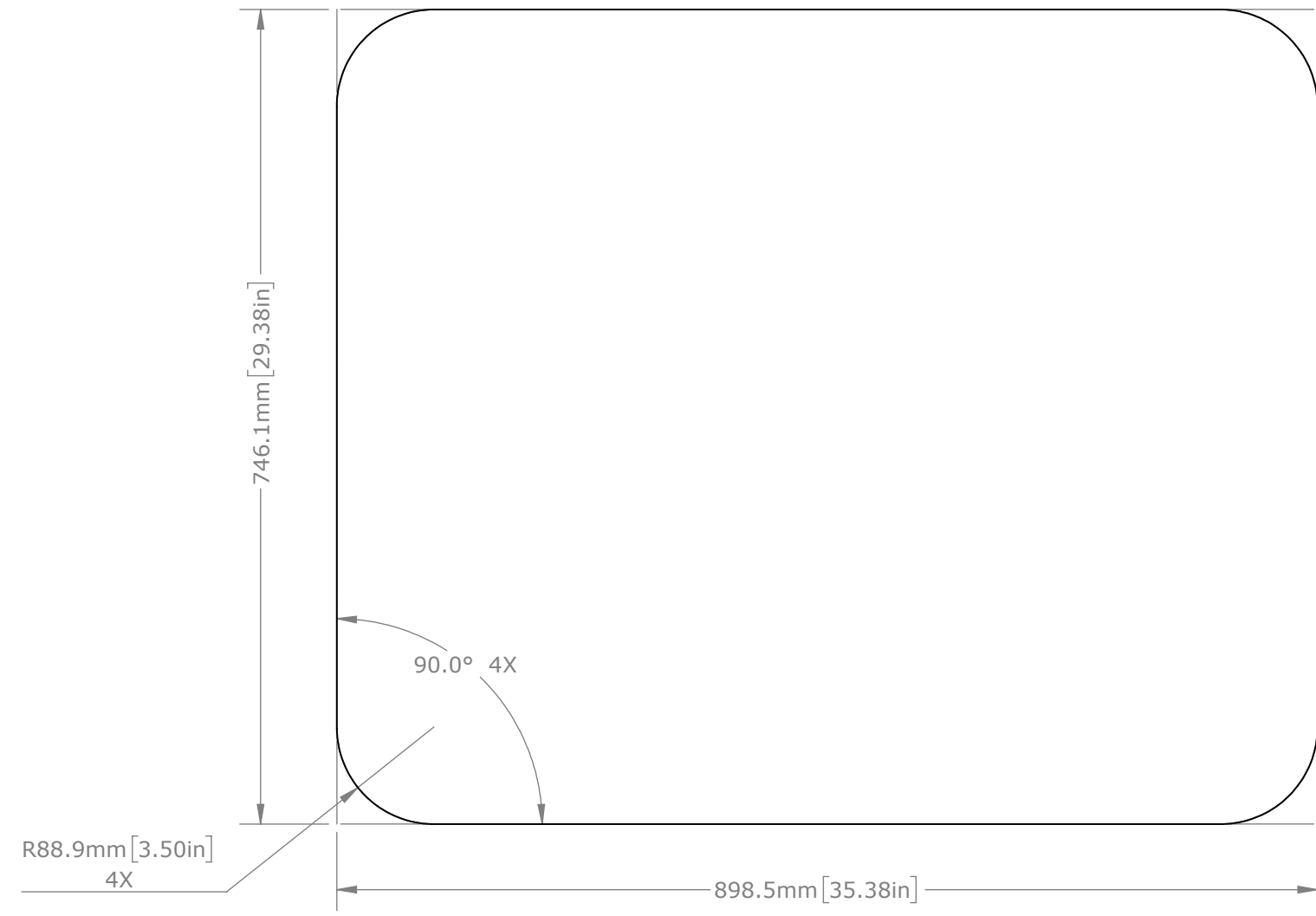
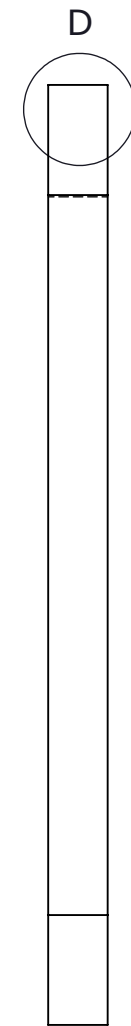
DWG TITLE: **GLAZING** QTY

SCALE	DRAWN	DATE	CHECKED	DATE	SIZE
1:6	DRD	1/6/2017	ZJC	1/11/2017	B

S.O. NO	DWG NO	SHEET	REV
49983	P0007218-006-105	3 of 3	B



DETAIL D  
SCALE 1 : 1



EXTERIOR ELEVATION