

REVISIONS

REV.	DESCRIPTION	BY	DATE
00	CUSTOMER APPROVAL	CR	31/03/2017
01	CHANGED FRAME GEOMETRY AND SIZES	CR	18/05/2017
02	FRAME FINISH CHANGED, OVERALL HEIGHT AND CLEAR HEIGHT CHANGED	AD	7/10/2017
03	PRODUCTION RELEASE	CR	01/08/2017
04	REVISED GLASS TYPE	CR	30/08/2017
05	HANDLE WAS ON EXTERIOR	ZC	21SEP17

GENERAL NOTES

1. INSTALLATION: BOLT-IN
2. BUILD TO CLEAR OPENING.
3. GLASS SHALL BE 3/8" CLEAR TEMPERED WITH LOGO.
4. APPROX WEIGHT: 51.1kg (112.7 lb.)
5. FINISH: A - YACHT QUALITY FRAME: ANODIZE HARD COAT - BLACK

FOR ADDITIONAL INFORMATION CONTACT YOUR SALES REPRESENTATIVE OR PROJECT MANAGER.

CUSTOMER APPROVAL

IMPORTANT! THIS DRAWING SUPERSEDES ALL OTHER DOCUMENTS. BY SIGNING THIS APPROVAL YOU ACCEPT AND AGREE THAT THE DIMENSIONS AND DETAILS SHOWN ARE CORRECT AND PROPERLY FIT YOUR APPLICATION, REGARDLESS OF ANY DIFFERENCES BETWEEN THIS DRAWING AND ANY PRIOR CONTRACT SPECIFICATIONS. SHOULD YOU HAVE ANY QUESTIONS OR SEE ANY ERRORS, DO NOT SIGN THIS APPROVAL UNTIL THE DRAWING IS CORRECTED.

SIGN _____ DATE _____

UNLESS OTHERWISE SPECIFIED, DIMENSIONS ARE IN MILLIMETERS. TOLERANCES FOR ROUGH AND CLEAR OPENINGS ARE ± 3 mm (.125"). ALL OTHERS ARE:

	X	.X	.XX	ANGLES
METRIC	± 2.5	$\pm .8$	$\pm .25$	$\pm 2^\circ$
IMPERIAL	$\pm .1$	$\pm .03$	$\pm .010$	$\pm 2^\circ$

BAR CODE	CAGE CODE
	1JX04



COPYRIGHT 2016 ADVANTEC GLOBAL INNOVATIONS. ALL RIGHTS RESERVED. CONFIDENTIAL PROPERTY OF ADVANTEC GLOBAL INNOVATIONS. UNAUTHORIZED USE, REPRODUCTION OR DISTRIBUTION IS STRICTLY PROHIBITED. COPIES REMAIN THE PROPERTY OF ADVANTEC GLOBAL INNOVATIONS AND MUST BE RETURNED UPON REQUEST.

CLIENT _____

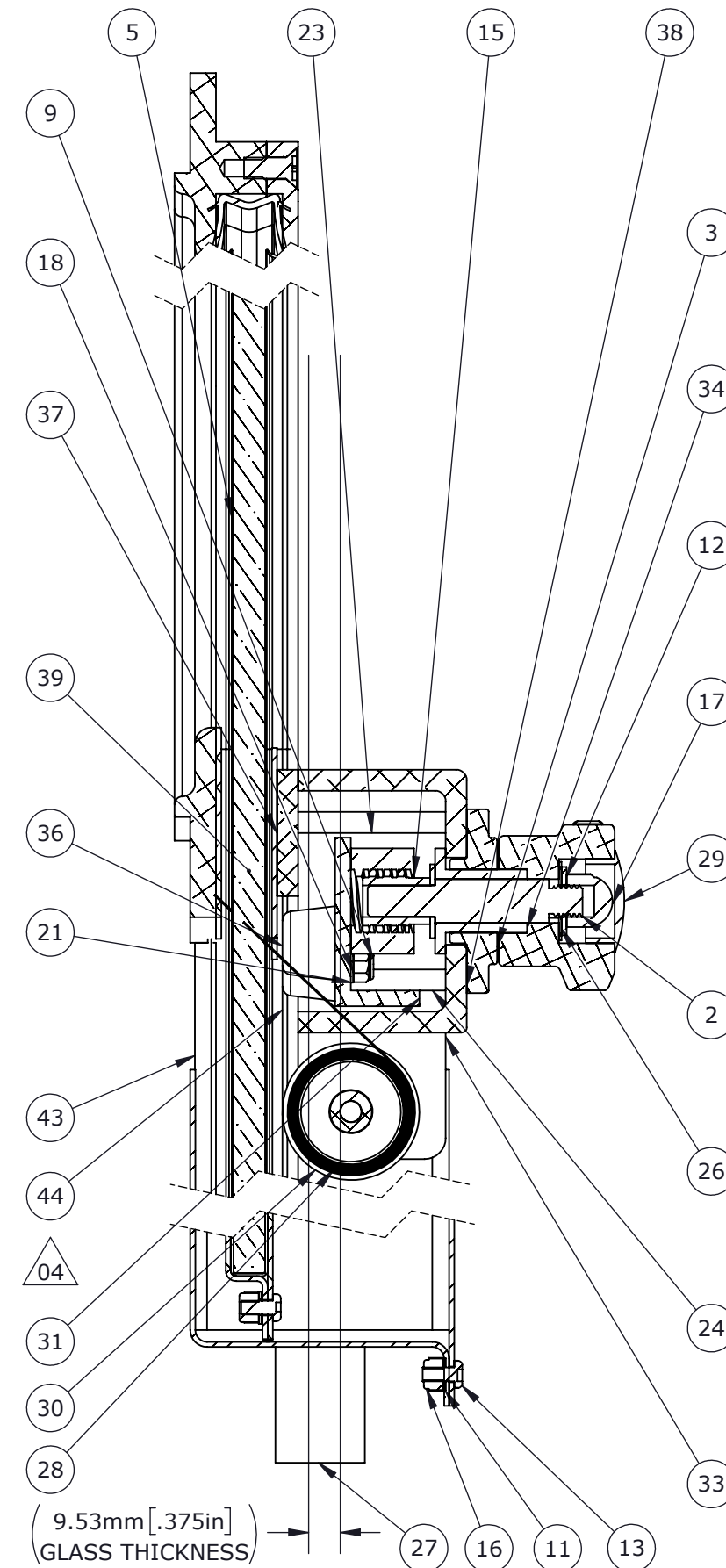
PROJECT TITLE _____

DWG TITLE	QTY
PACIFIC COAST MARINE 5420	1

SCALE	DRAWN	DATE	CHECKED	DATE	SIZE
1:10	CR	08-Jan-17	GG	08-Jan-17	B

S.O. NO	DWG NO	SHEET	REV
50347	p0007007-002	3	05

ITEM	QTY	PART NUMBER	DESCRIPTION	MATERIAL
1	5	0021-2011	CLIP ASSY, S/S, SLIDING WINDOW GLASS	REF S.A. BOM
2	1	0021-2012	SPINDLE, SLIDING WINDOW LOCK	REF S.A. BOM
3	1	0112-2375	PLATE, SLIDING WINDOW HANDLE, AL STOP	6061 Alloy
4	1	0242-2017	HANDLE , D-LINE	SS 316/316L
5	1	0391-2004-1	FLEXIBLE RUN CHANNEL	CHANNEL, FLOCKED GLASS RUN .375 GLASS (0391-2008)
6	2	0391-2007	CHANNEL LINER, 2IN MOLESKIN	FELT
7	5	0411-2008	NUT .25IN-20 SS 316 NYLOCK	316/316L
8	10	0411-2009	WASHER, FLAT, 1/4, SS	316/316L
9	4	0411-2040	LOCKNUT, NYLON INSERT	304/304L ANLD
10	35	0411-2052	SCREW FH P .25-20 X .625IN SS 316	316/316L
11	11	0411-2086	WASHER FLAT #8 SS 316	316/316L
12	1	0411-2101	WASHER, FLAT .406 X 1 X .05IN	SS 316/316L
13	11	0411-2104	SCREW, PH SLOT 8-32X.375IN SS	316/316L
14	2	0411-2221	SCREW, PHILLIPS FHM, 10-32 X 3/4	316/316L
15	1	0411-2267	NUT, 3/4-6 ACME LH	Brass
16	11	0411-2308	NUT 8-32 SS 316 NYLOCK	316/316L
17	1	0411-2309	NUT, ACORN, 3/8-16	316/316L
18	4	0411-2330	SCREW, SOCKET HD CAP, 10-32x3/4	316/316L
19	10	0411-2366	SCREW, SOCKET FHM	SS 316/316L
20	2	0411-2458	SCREW, SOCKET FHM, 8-32 X 1/2 EP S/S	316/316L
21	4	0411-2468	#10 FLAT WASHER	STAINLESS STEEL
22	5	0411-2480	BOLT, 1/4 - 20 x 2-1/2	316/316L
23	4	0411-2615	SCREW, PHILLIPS FHM, 1/4-20 X 2-1/4	SS 316/316L
24	4	0411-2618	SCREW, PHILLIPS FHM, 1/4-20 X 2-3/4	SS 316/316L
25	10	0413-2001	WASHER, .260 X .500 X .031	NYLON TYPE 6
26	1	0413-2015	WASHER, .375 X .932 X .031	NYLON TYPE 6
27	1	0431-2128	COUPLING 1/2 NPT, 316 S/S, DRAIN	316/316L
28	5	0431-2160	SPRING, CONSTANT FORCE: 10#, 9293K12	SS 300 SERIES
29	1	0433-2045	PLUG, FINISHING,SNAP-IN,FITS 1 IN.	Nylon 6/10
30	10	0433-2073	SPOOL, CONSTANT FORCE SPRING CARRIER	POM Acetal Copolymer
31	1	0435-2031	BRACKET, NUT MOUNTING	6061 Alloy
32	1	0435-2050	KNOB, SLIDING WINDOW LOCK	6061 Alloy
33	10	0435-2107	BRACKET, SPRING MOUNTING	ANGLE, AL 6063-T52 1.5X1.5X.188IN (0611-9507)
34	1	0441-2041	BUSHING, SPINDLE	POM Acetal Copolymer
35	5	0441-2295	BUSHING, SPRING SPOOL	6061 Alloy
36	4	0631-2005	BUMPER	Rubber
37	1	P0007007-001-204	GUIDE BAR	BAR, AL 6061-T6511 .25 X 1.5in RECT (0611-9576)
38	1	P0007007-001-205	LOCK SUPPORT	EXTRUSION AL 6061 (0611-9095)
39	1	P0007007-001-208	GLASS	GLASS - Tempered, 3/8", CLEAR
40	1	P0007007-001-210	PAN, COVER	PLATE, SS 316L 16GA (0713-2010)
41	2	P0007007-001-214	END CAP	PLATE, AL 5052-H32 .125IN. (0711-2095)
42	1	P0007007-002-201	FRAME, WINDOW	EXTRUSION, AL 6061-T4 (0611-9028)
43	1	P0007007-002-202	FRAME EXTENSION	EXTRUSION, AL 6061-T4 (0611-9028)
44	1	P0007007-002-203	RETAINER, WINDOW	BAR, AL 6061-T6511 .375 X 1.5IN RECT(0611-9579)
45	1	P0007007-002-209	PAN, BODY	PLATE, SS 316L 16GA (0713-2010)



SECTION A-A
SCALE 1 : 2

REVISIONS

SEE PAGE 1 FOR ALL REVISIONS

GENERAL NOTES

1. SEE PAGE 1.

CUSTOMER APPROVAL

IMPORTANT! THIS DRAWING SUPERSEDES ALL OTHER DOCUMENTS. BY SIGNING THIS APPROVAL YOU ACCEPT AND AGREE THAT THE DIMENSIONS AND DETAILS SHOWN ARE CORRECT AND PROPERLY FIT YOUR APPLICATION, REGARDLESS OF ANY DIFFERENCES BETWEEN THIS DRAWING AND ANY PRIOR CONTRACT SPECIFICATIONS. SHOULD YOU HAVE ANY QUESTIONS OR SEE ANY ERRORS, DO NOT SIGN THIS APPROVAL UNTIL THE DRAWING IS CORRECTED.

SIGN _____ DATE _____

UNLESS OTHERWISE SPECIFIED, DIMENSIONS ARE IN MILLIMETERS. TOLERANCES FOR ROUGH AND CLEAR OPENINGS ARE ±3mm (.125"). ALL OTHERS ARE:

	X	.X	.XX	ANGLES
METRIC	±2.5	±.8	±.25	±2°
IMPERIAL	±.1	±.03	±.010	±2°

BAR CODE _____ CAGE CODE
1JX04



COPYRIGHT 2016 ADVANTEC GLOBAL INNOVATIONS. ALL RIGHTS RESERVED. CONFIDENTIAL PROPERTY OF ADVANTEC GLOBAL INNOVATIONS. UNAUTHORIZED USE, REPRODUCTION OR DISTRIBUTION IS STRICTLY PROHIBITED. COPIES REMAIN THE PROPERTY OF ADVANTEC GLOBAL INNOVATIONS AND MUST BE RETURNED UPON REQUEST.

CLIENT _____

PROJECT TITLE _____

DWG TITLE
PACIFIC COAST MARINE 5420 QTY
1

SCALE	DRAWN	DATE	CHECKED	DATE	SIZE
1:10	CR	08-Jan-17	GG	08-Jan-17	B

S.O. NO	DWG NO	SHEET	REV
50347	p0007007-002	2 of 3	05

REVISIONS

SEE PAGE 1 FOR ALL REVISIONS

GENERAL NOTES

1. SEE PAGE 1.

CUSTOMER APPROVAL

IMPORTANT! THIS DRAWING SUPERSEDES ALL OTHER DOCUMENTS. BY SIGNING THIS APPROVAL YOU ACCEPT AND AGREE THAT THE DIMENSIONS AND DETAILS SHOWN ARE CORRECT AND PROPERLY FIT YOUR APPLICATION, REGARDLESS OF ANY DIFFERENCES BETWEEN THIS DRAWING AND ANY PRIOR CONTRACT SPECIFICATIONS. SHOULD YOU HAVE ANY QUESTIONS OR SEE ANY ERRORS, DO NOT SIGN THIS APPROVAL UNTIL THE DRAWING IS CORRECTED.

SIGN _____ DATE _____

UNLESS OTHERWISE SPECIFIED, DIMENSIONS ARE IN MILLIMETERS. TOLERANCES FOR ROUGH AND CLEAR OPENINGS ARE ±3mm (.125"). ALL OTHERS ARE:

METRIC	X	.X	.XX	ANGLES
	±2.5	±.8	±.25	±2°
IMPERIAL	.X	.XX	.XXX	ANGLES
	±.1	±.03	±.010	±2°

BAR CODE _____ CAGE CODE
1JX04



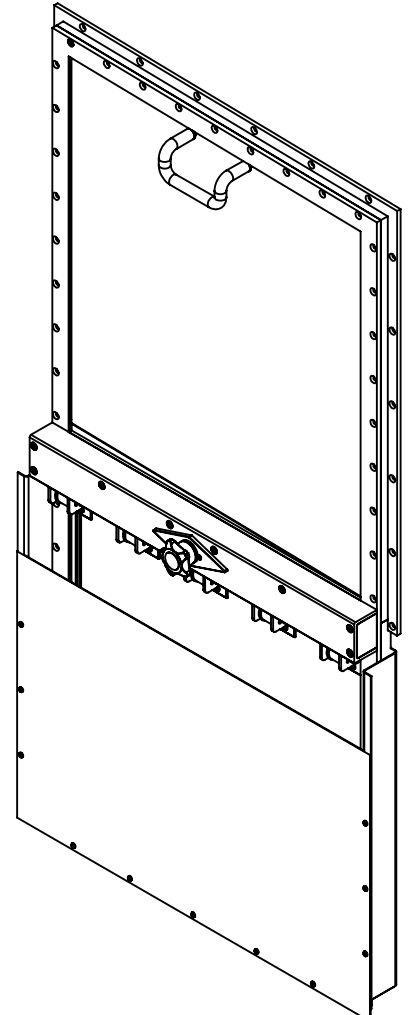
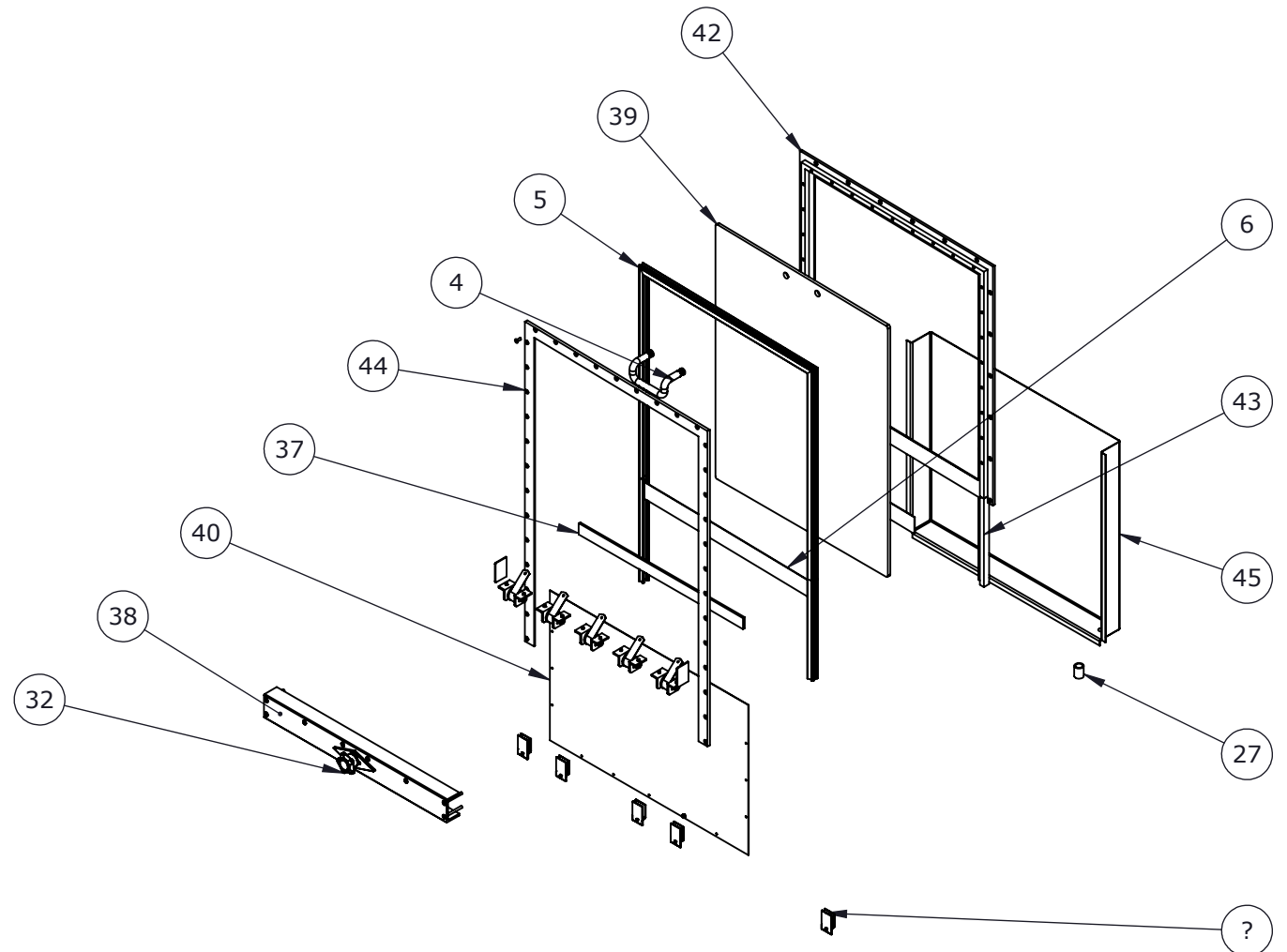
COPYRIGHT 2016 ADVANTEC GLOBAL INNOVATIONS. ALL RIGHTS RESERVED. CONFIDENTIAL PROPERTY OF ADVANTEC GLOBAL INNOVATIONS. UNAUTHORIZED USE, REPRODUCTION OR DISTRIBUTION IS STRICTLY PROHIBITED. COPIES REMAIN THE PROPERTY OF ADVANTEC GLOBAL INNOVATIONS AND MUST BE RETURNED UPON REQUEST.

CLIENT _____
PROJECT TITLE _____

DWG TITLE
PACIFIC COAST MARINE 5420 QTY
1

SCALE	DRAWN	DATE	CHECKED	DATE	SIZE
1:10	CR	08-Jan-17	GG	08-Jan-17	B

S.O. NO	DWG NO	SHEET	REV
50347	p0007007-002	3	05



CLOSED POSITION

FASTENERS HIDDEN
MAIN ITEMS SHOWN IN EXPLODED VIEW

