

- 10. FOR SPECIFIC INFORMATION CONTACT SALES.
- 9. COMPLETE ASSEMBLY WEIGHT W/ DECK RING, 113-2LBS/ 50.3K.
- 8. DOGGING PRESSURE FULLY ADJUSTABLE.
- 7. HANDLE POSITION TOPSIDE INDICATES WHETHER DOGGING MECHANISM IS IN OPEN OR CLOSED POSITION.
- 6. ALUMINUM ALLOY MECHANISM SHOWN.
- 5. FLUSH, WATERTIGHT CONSTRUCTION.
- 4. INTEGRAL TOPSIDE "T" HANDLE STANDARD, OTHER TOPSIDE ACTUATION AVAILABLE.
- 3. MILD STEEL COAMING FOR WELD IN DECK APPLICATION.
- 2. QUICK-ACTING, MECHANISM ENGAGES OR DISENGAGES IN QUARTER-TURN OF CENTER SPINDLE.
- 1. 30.5 X 36.5 CLEAR OPENING, ALL DIMENSIONS SHOWN SUBJECT TO CASTING VARIATION AND ARE REFERENCE ONLY.

NOTES: UNLESS OTHERWISE SPECIFIED.

CONFIDENTIAL PROPERTY OF FREEMAN MARINE EQUIPMENT, INC. UNAUTHORIZED USE, COPYING OR DISTRIBUTION IS STRICTLY PROHIBITED. POSSESSOR OF THIS DOCUMENT AGREES TO THE FOREGOING AND SHALL RETURN THIS DOCUMENT UPON REQUEST. © ALL RIGHTS RESERVED 2004		28336 HUNTER CREEK ROAD GOLD BEACH, OR 97444 U.S.A. PHONE: 541-247-7078 FAX: 541-247-2114 www.freemanmarine.com	
CLIENT: FREEMAN MARINE EQUIPMENT, INC.		TITLE: HATCH: 3036 K AL COVER, MS RING W/ INTEGRAL TOPSIDE HANDLE	
DRAWN: M. STENDER CHECKED: DATE: 11SEP09 ENGR: DATE: DESIGN ACTIVITY: DATE:	SIZE: D CAGE CODE: 64747 SCALE: 1:4	DRAWING NUMBER: 2429-0003-0001 REV. B	CONTRACT NO.: CALC. WT. ACT. WT. SHEET 1 OF 3

REV.	DESCRIPTION	DATE	DRAWN
-	INITIAL RELEASE	11SEP09	MRS
A	UPDATE GEN. NOTES & B.O.M.	01AUG11	PPC
B	REVISED PER ECN# 016-13	04MAR13	TAP

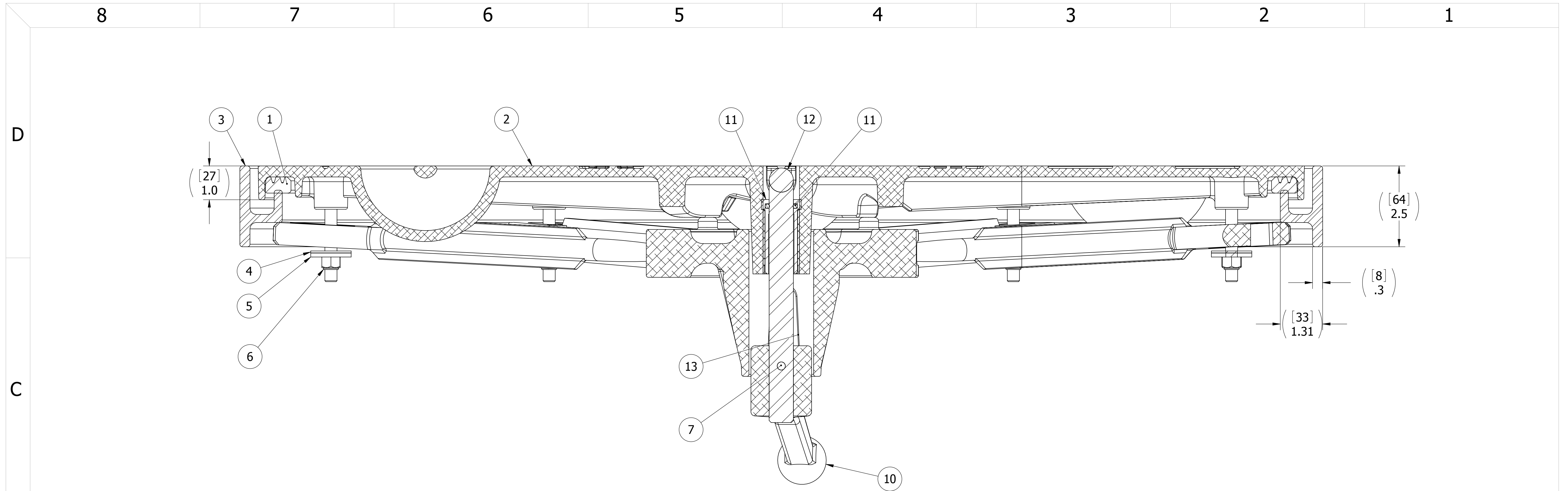
SPECIFICATIONS SUBJECT TO CHANGE WITHOUT NOTICE.

PROJECTION

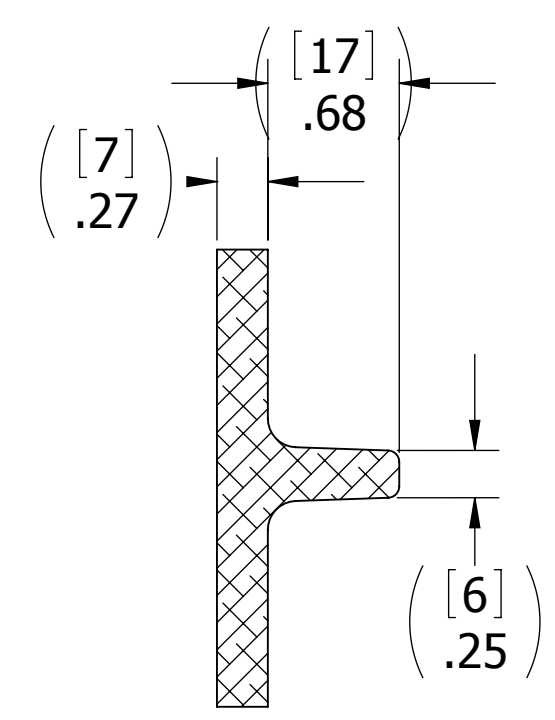
UNLESS OTHERWISE SPECIFIED DIMENSIONS ARE IN INCHES, TOLERANCES FOR ROUGH AND CLEAR OPENING ± .125 INCH. ALL OTHERS ARE:

.X	.XX	.XXX	ANGLES
±.1	±.03	±.010	±2°

DO NOT SCALE DRAWING



SECTION A-A
SCALE 1 : 2



SECTION B-B
SCALE 1 : 1

ITEM NO.	QTY.	PART NUMBER	DESCRIPTION	MATERIAL
13	1	0011-2007	HUB, AL, 8 HOLE	ALUMINUM, 535.2-F
12	1	0021-2018	HANDLE, S/S, ROUND BAR, 3636 HATCH	STAINLESS STEEL, 316
11	1	0031-2058	BUSHING ASSY, W/O-RING, NO SLEEVE	ACETRON/RUBBER
10	1	0112-2023	ESCAPE HANDLE, 8 HOLE HUB, AL	ALUMINUM, 535.2-F
9	4	0211-2026	DOG, LOCKING ARM, 3636, AL	ALUMINUM, 535.2-F
8	4	0211-2030	DOG, LOCKING ARM 3036, AL, 15	ALUMINUM, 535.2-F
7	1	0411-2005	PIN KNURLED .25 X 2.75IN SS 316	SS 316/316L
6	8	0411-2032	NUT .375IN-16 SS 316 NYLOCK	SS, 316
5	8	0411-2033	WASHER .406 X 1.25 X .125IN SS 316	SS, 316
4	8	0413-2005	WASHER, .406 X 1.250 X .062 NYLON	NYLON
3	1	2429-1003	RING: 3036 MILD STEEL	ASTM A-36
2	1	2429-3001	COVER, 3036 ALUM, FINISHED CASTING	ALUMINUM
1	1	9835-2013	GASKET, 3036STR(10.8' OF 0631-9835)	NEOPRENE

REV.	DESCRIPTION	DATE	DRAWN
-	INITIAL RELEASE	11SEP09	MRS
A	UPDATE GEN. NOTES & B.O.M.	01AUG11	PPC
B	REVISED PER ECN# 016-13	04MAR13	TAP

SPECIFICATIONS SUBJECT TO CHANGE WITHOUT NOTICE.

PROJECTION

UNLESS OTHERWISE SPECIFIED DIMENSIONS ARE IN INCHES, TOLERANCES FOR ROUGH AND CLEAR OPENING ± .125 INCH. ALL OTHERS ARE:

.X	.XX	.XXX	ANGLES
±.1	±.03	±.010	±2°

DO NOT SCALE DRAWING

FREEMAN MARINE EQUIPMENT, INC.

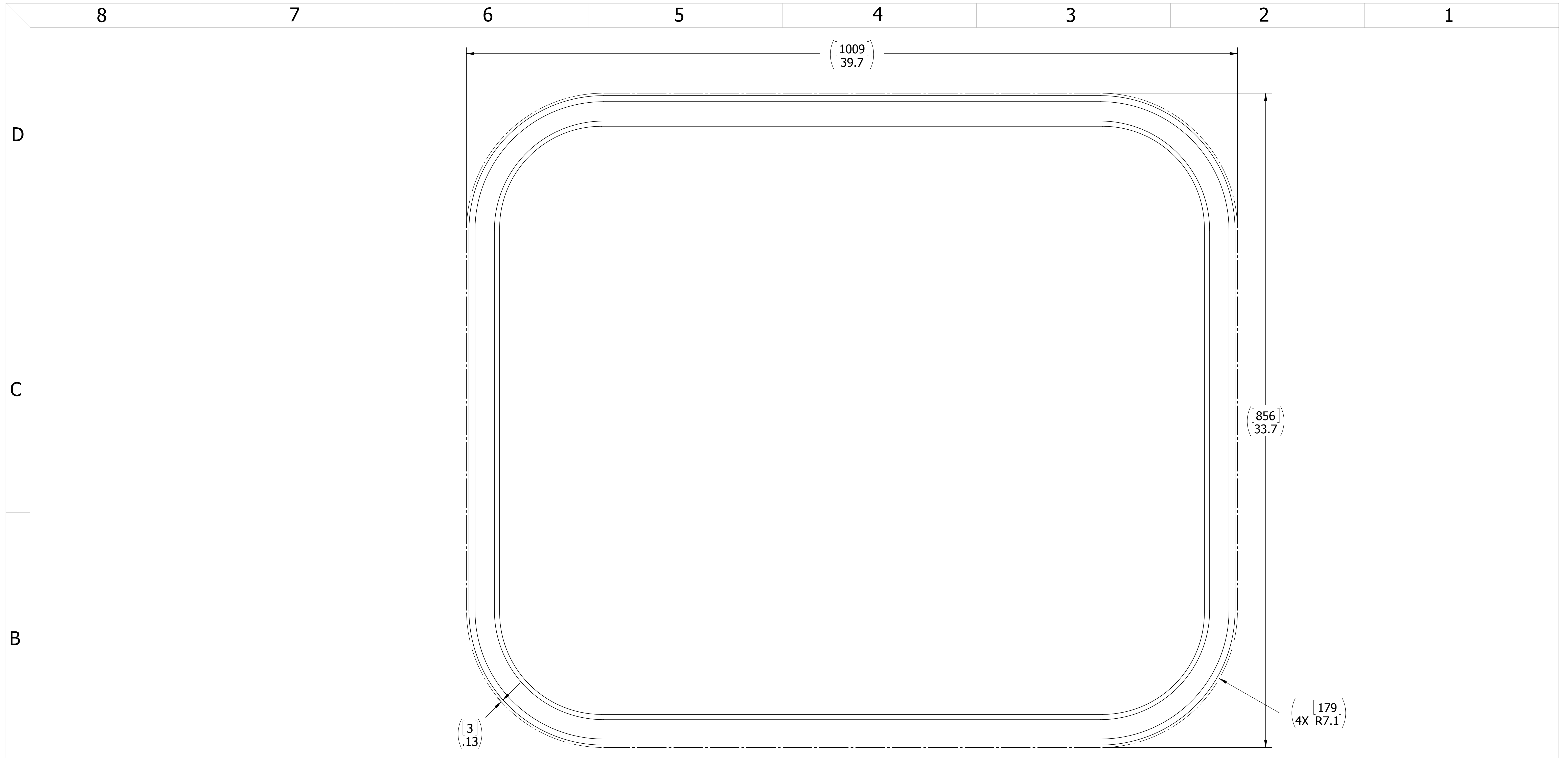
28336 HUNTER CREEK ROAD
GOLD BEACH, OR 97444 U.S.A.
PHONE: 541-247-7078 FAX: 541-247-2114
www.freemanmarine.com

CLIENT: FREEMAN MARINE EQUIPMENT, INC.

TITLE: HATCH: 3036 K
AL COVER, MS RING
W/ INTEGRAL TOPSIDE HANDLE

SIZE: 64747
CAGE CODE: 2429-0003-0001
DRAWING NUMBER: B

SCALE: 1:1.5
CALC WT.
ACT. WT.
SHEET 2 OF 3



DECK CUT OUT

A

- 3. FINISH: 125 RMS MAX.
 - 2. BREAK SHARP EDGES AND DEBURR.
 - 1. MATERIAL: REF. S/A - B.O.M.
- NOTES: UNLESS OTHERWISE SPECIFIED.

CUSTOMER APPROVAL

Signature: _____
 Date: _____
 IMPORTANT! THIS DRAWING SUPERSEDES ALL OTHER DOCUMENTS. By signing this approval you accept and agree that the dimensions and details shown are correct and properly fit your application, regardless of any differences between this drawing and any contract specifications. Should you see any errors in the drawing, or have any questions, please contact your Freeman Marine sales engineer for clarification.

REV.	DESCRIPTION:	DATE:	DRAWN
-	INITIAL RELEASE	11SEP09	MRS
A	UPDATE GEN. NOTES & B.O.M.	01AUG11	PPC
B	REVISED PER ECN# 016-13	04MAR13	TAP

SPECIFICATIONS SUBJECT TO CHANGE WITHOUT NOTICE.

PROJECTION

UNLESS OTHERWISE SPECIFIED DIMENSIONS ARE IN INCHES, TOLERANCES FOR ROUGH AND CLEAR OPENING ± .125 INCH. ALL OTHERS ARE:

.X	.XX	.XXX	ANGLES
±.1	±.03	±.010	±2°

DO NOT SCALE DRAWING

FREEMAN
MARINE EQUIPMENT, INC.

CONFIDENTIAL PROPERTY OF FREEMAN MARINE EQUIPMENT, INC. UNAUTHORIZED USE, REPRODUCTION OR DISTRIBUTION IS STRICTLY PROHIBITED. ALL CODES REMAIN THE PROPERTY OF FREEMAN MARINE EQUIPMENT, INC. AND MUST BE RETURNED UPON REQUEST. © ALL RIGHTS RESERVED 2012, FREEMAN MARINE EQUIPMENT, INC.

28336 HUNTER CREEK ROAD
GOLD BEACH, OR 97444 U.S.A.
PHONE: 541-247-7078 FAX: 541-247-2114
www.freemanmarine.com

DRAWN: M. STENDER		DATE: 11SEP09	
CHECKED:		DATE:	
ENGR:		DATE:	
DESIGN ACTIVITY:		DATE:	
CONTRACT NO.:			

CLIENT: FREEMAN MARINE EQUIPMENT, INC.			
TITLE: HATCH: 3036 K AL COVER, MS RING			
SIZE: D	CAGE CODE: 64747	DRAWING NUMBER: 2429-0003-0001	REV. B
SCALE: 1:2.5	CALC. WT.	ACT. WT.	SHEET 3 OF 3