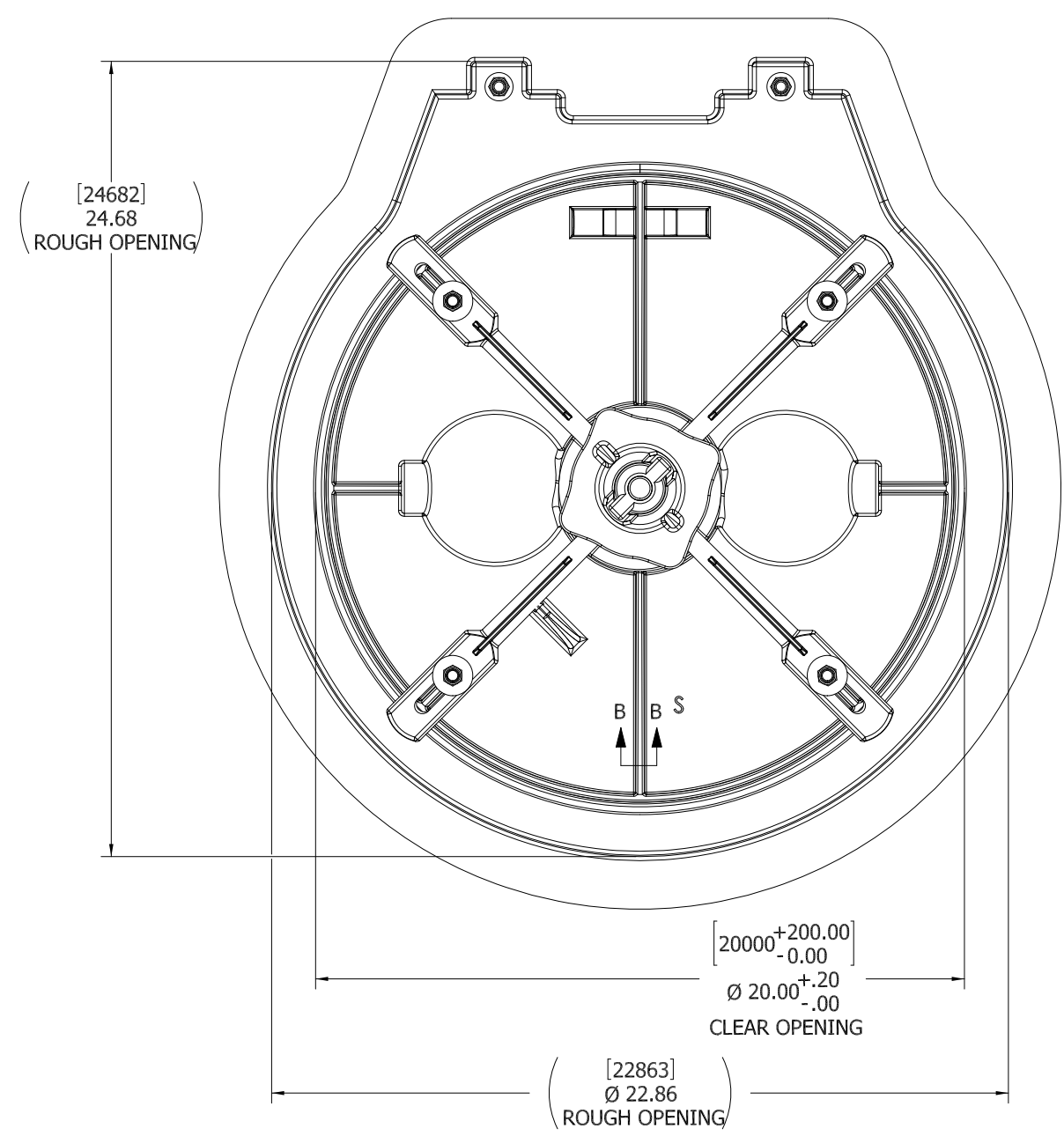
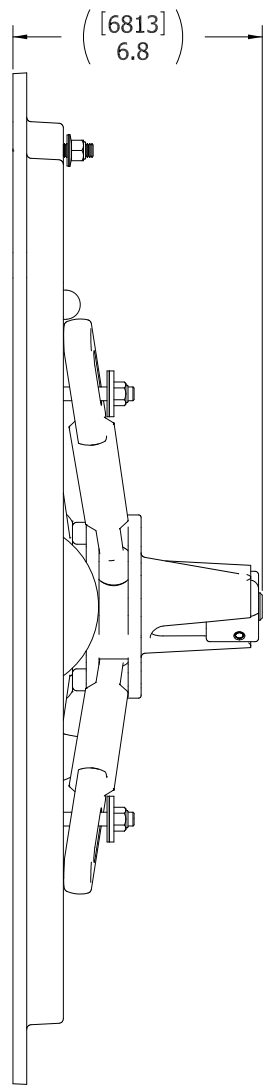
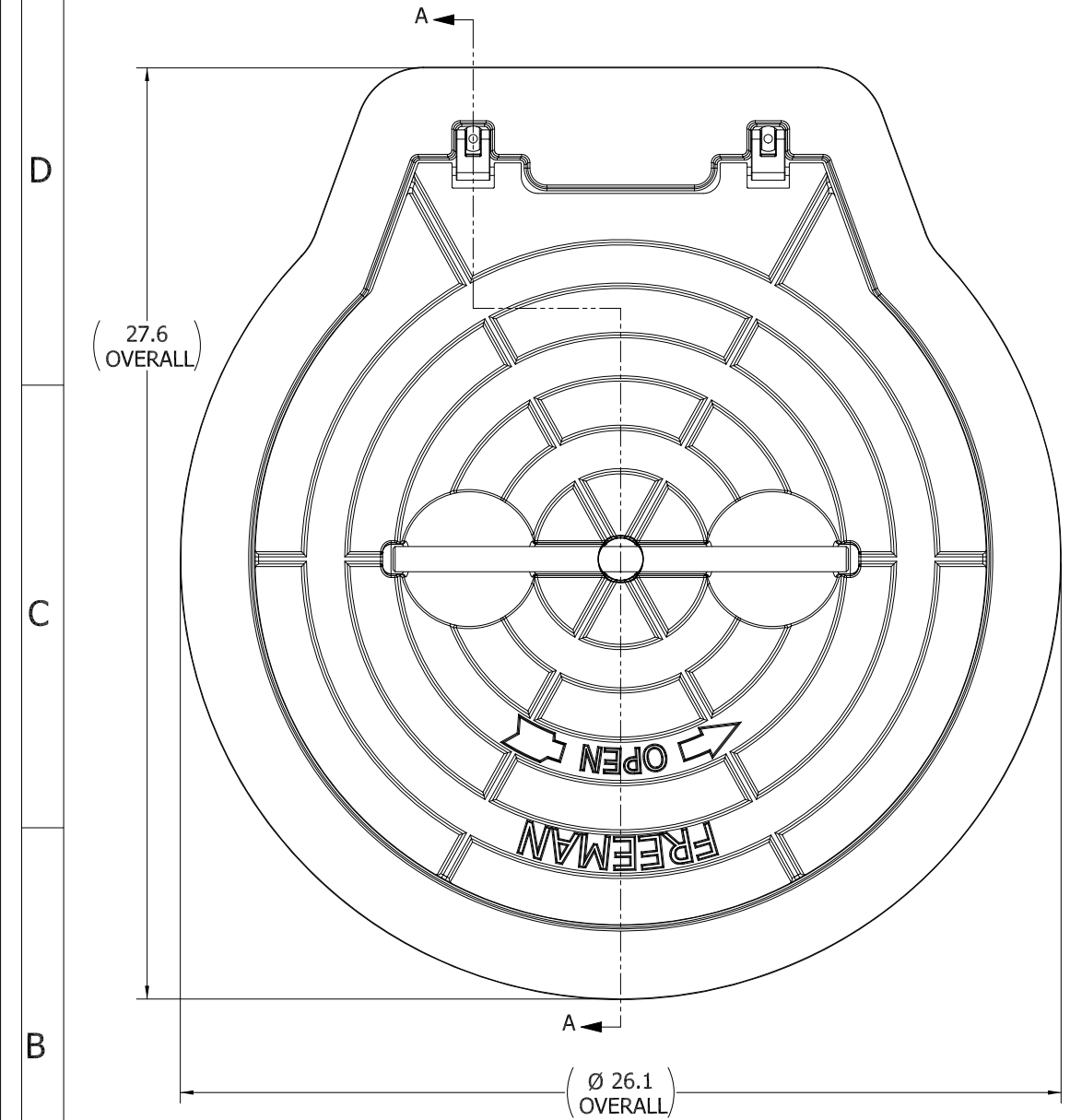


8 7 6 5 4 3 2 1



- 10. FOR SPECIFIC INFORMATION CONTACT SALES.
- 9. COMPLETE ASSEMBLY WEIGHT W/ DECK RING, 39.9LBS/ 18.1K.
- 8. DOGGING PRESSURE FULLY ADJUSTABLE.
- 7. HANDLE POSITION TOPSIDE INDICATES WHETHER DOGGING MECHANISM IS IN OPEN OR CLOSED POSITION.
- 6. ALUMINUM ALLOY MECHANISM SHOWN.
- 5. FLUSH, WATERTIGHT CONSTRUCTION.
- 4. INTEGRAL TOPSIDE "T" HANDLE STANDARD, OTHER TOPSIDE ACTUATION AVAILABLE.
- 3. CAST ALUMINUM ALLOY FLANGE, FLANGE CAN BE DRILLED FOR BOLTED INSTALLATIONS OR WELDED TO ALUMINUM.
- 2. QUICK-ACTING, MECHANISM ENGAGES OR DISENGAGES IN QUARTER-TURN OF CENTER SPINDLE.
- 1. 20.1" DIAMETER CLEAR OPENING, ALL DIMENSIONS SHOWN SUBJECT TO CASTING VARIATION AND ARE REFERENCE ONLY.

NOTES: UNLESS OTHERWISE SPECIFIED.

A		PRODUCTION RELEASE		20MAY13	ZIC
REV.		DESCRIPTION:		DATE:	DRAWN

SPECIFICATIONS SUBJECT TO CHANGE WITHOUT NOTICE.			
UNLESS OTHERWISE SPECIFIED DIMENSIONS ARE IN INCHES. TOLERANCES FOR ROUGH AND CLEAR OPENINGS: .125 INCH. ALL OTHERS ARE:			
.X	.XX	.XXX	ANGLES
±.1	±.03	±.010	±2°
DO NOT SCALE DRAWING			

<b>FREEMAN</b> MARINE EQUIPMENT, INC.		28336 HUNTER CREEK ROAD GOLD BEACH, OR 97444 U.S.A. PHONE: 541-247-7078 FAX: 541-247-2114 www.freemanmarine.com	
CLIENT: FREEMAN MARINE		TITLE: HATCH: 20-H K AL COVER, AL RING W/ INTEGRAL TOPSIDE HANDLE	
DRAWN: Z. CARPENTER DATE: 20MAY13	CHECKED: D. YOES DATE: 20MAY13	SIZE: D CAGE CODE: 64747	DRAWING NUMBER: 2444-0002
ENGR:	DESIGN ACTIVITY:	SCALE: 1:2.5	ACT. WT.
CONTRACT NO.:		SHEET 1 OF 3	REV. A