

10. FOR SPECIFIC INFORMATION CONTACT SALES.
9. COMPLETE ASSEMBLY WEIGHT W/ DECK RING, 72.5LBS/ 32.9K.
8. DOGGING PRESSURE FULLY ADJUSTABLE.
7. HANDLE POSITION TOPSIDE INDICATES WHETHER DOGGING MECHANISM IS IN OPEN OR CLOSED POSITION.
6. ALUMINUM ALLOY MECHANISM SHOWN.
5. FLUSH, WATERTIGHT CONSTRUCTION.
4. INTEGRAL TOPSIDE "T" HANDLE STANDARD, OTHER TOPSIDE ACTUATION AVAILABLE.
3. MILD STEEL RING, FOR WELDED INSTALATIONS.
2. QUICK-ACTING, MECHANISM ENGAGES OR DISENGAGES IN QUARTER-TURN OF CENTER SPINDLE.
1. 24.0" DIAMETER CLEAR OPENING, ALL DIMENSIONS SHOWN SUBJECT TO CASTING VARIATION AND ARE REFERENCE ONLY.

NOTES: UNLESS OTHERWISE SPECIFIED

A

CUSTOMER APPROVAL

Signature: _____

Date: _____

IMPORTANT! THIS DRAWING SUPERSEDES ALL OTHER DOCUMENTS. By signing this approval you accept and agree that the dimensions and details shown are correct and properly fit your application, regardless of any differences between this drawing and any contract specifications. Should you see any errors in the drawing, or have any questions, please contact your Freeman Marine sales engineer for clarification.

REV.	DESCRIPTION	DATE	DRAWN
A	PRODUCTION RELEASE	13AUG15	DRD

SPECIFICATIONS SUBJECT TO CHANGE WITHOUT NOTICE.

PROJECTION

UNLESS OTHERWISE SPECIFIED DIMENSIONS ARE IN INCHES, TOLERANCES FOR ROUGH AND CLEAR OPENING ± .125 INCH. ALL OTHERS ARE:

.X .XX .XXX ANGLES

±.1 ±.03 ±.010 ±2°

DO NOT SCALE DRAWING

FREEMAN MARINE EQUIPMENT, INC.

28336 HUNTER CREEK ROAD
GOLD BEACH, OR 97444 U.S.A.
PHONE: 541-247-7078 FAX: 541-247-2114
www.freemanmarine.com

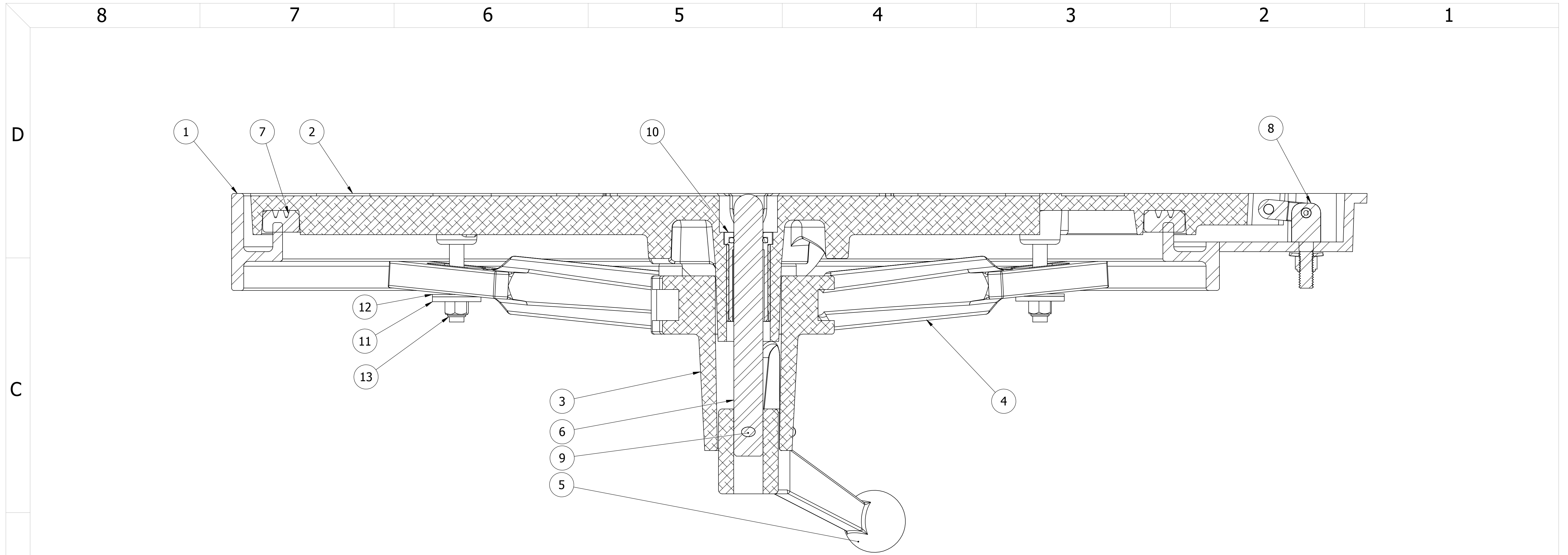
CONFIDENTIAL PROPERTY OF FREEMAN MARINE EQUIPMENT INC. UNAUTHORIZED USE, COPYING OR DISTRIBUTION IS STRICTLY PROHIBITED. POSSESSOR OF THIS DOCUMENT AGREES TO THE FOREGOING AND SHALL RETURN THIS DOCUMENT UPON REQUEST. © ALL RIGHTS RESERVED 2004

CLIENT: FREEMAN MARINE

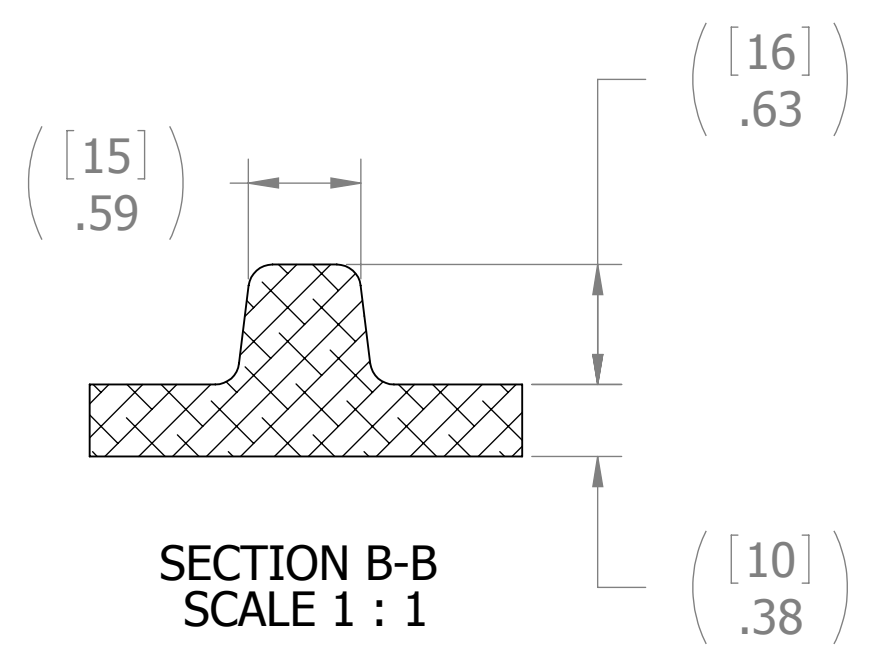
TITLE: HATCH: 24-H K
AL COVER, MILD STEEL RING
W/ INTEGRAL TOPSIDE HANDLE

SIZE: D CAGE CODE: 64747 DRAWING NUMBER: 2448-0003-0001 REV. A

SCALE: 1:2.75 CALC. WT. ACT. WT. SHEET 1 OF 3



SECTION A-A



ITEM NO.	QTY.	PART NUMBER	DESCRIPTION	MATERIAL
13	4	0411-2032	NUT .375IN-16 SS 316 NYLOCK	SS, 316
12	4	0413-2005	WASHER .406 X 1.250 X .062 NYLON	NYLON
11	4	0411-2033	WASHER .406 X 1.25 X .125IN SS 316	SS, 316
10	1	0031-2058	BUSHING ASSY, W/O-RING, NO SLEEVE	ACETRON/RUBBER
9	1	0411-2004	PIN KNURLED .25 X 2.25IN SS 316	SS, 316
8	2	0461-2205	HINGE ASSY, DOUBLE-ACTING, CAST HATCH,2	REF S/A - B.O.M.
7	1	9813-2016	GASKET	NEOPRENE
6	1	0021-2005	HANDLE, S/S, ROUND BAR	SS, 316
5	1	0112-2003	ESCAPE HANDLE, AL	AL, 535.2-F
4	4	0211-2018	DOG, LOCKING ARM	ALUMINUM, 535.2-F
3	1	0011-2002	HUB, AL, 4 HOLE	AL, 535.2-F
2	1	2448-3001	COVER, 24 HK	ALUMINUM A356.0-F
1	1	2448-1003	RING, 24-H K	Alloy Steel

<p>CONFIDENTIAL PROPERTY OF FREEMAN MARINE EQUIPMENT INC. UNAUTHORIZED USE, COPYING OR DISTRIBUTION IS STRICTLY PROHIBITED. POSSESSOR OF THIS DOCUMENT AGREES TO THE FOREGOING AND SHALL RETURN THIS DOCUMENT UPON REQUEST.</p> <p>© ALL RIGHTS RESERVED 2004</p>		<p>CLIENT: FREEMAN MARINE</p>	
<p>UNLESS OTHERWISE SPECIFIED DIMENSIONS ARE IN INCHES, TOLERANCES FOR ROUGH AND CLEAR OPENING ± .125 INCH. ALL OTHERS ARE:</p> <p>.X .XX .XXX ANGLES ±.1 ±.03 ±.010 ±2°</p>		<p>TITLE: HATCH: 24-H K AL COVER, MILD STEEL RING W/ INTEGRAL TOPSIDE HANDLE</p>	
<p>PROJECTION </p>		<p>SIZE: D CAGE CODE: 64747 DRAWING NUMBER: 2448-0003-0001 REV. A</p>	
<p>DO NOT SCALE DRAWING</p>		<p>SCALE: 1:1.25 CALC WT. ACT. WT. SHEET 2 OF 3</p>	
<p>28336 HUNTER CREEK ROAD GOLD BEACH, OR 97444 U.S.A. PHONE: 541-247-7078 FAX: 541-247-2114 www.freemanmarine.com</p>		<p>CONTRACT NO.:</p>	

A

B

C

D

8

7

6

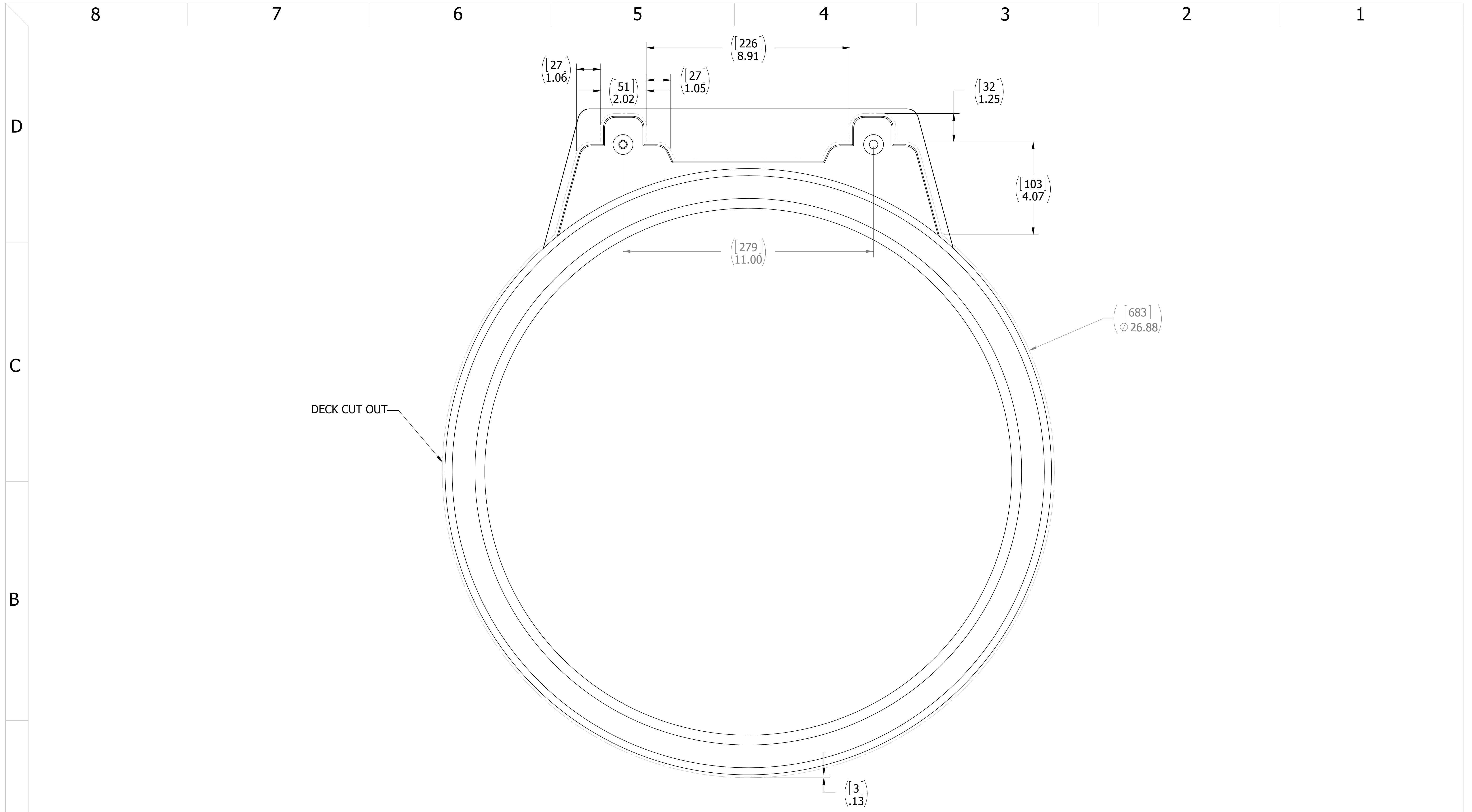
5

4

3

2

1



A

B

C

D

8

7

6

5

4

3

2

1

DECK CUT OUT

CUSTOMER APPROVAL
 Signature: _____
 Date: _____
 IMPORTANT! THIS DRAWING SUPERSEDES ALL OTHER DOCUMENTS. By signing this approval you accept and agree that the dimensions and details shown are correct and properly fit your application, regardless of any differences between this drawing and any contract specifications. Should you see any errors in the drawing, or have any questions, please contact your Freeman Marine sales engineer for clarification.

REV.	DESCRIPTION	DATE	DRAWN
A	PRODUCTION RELEASE	13AUG15	DRD

SPECIFICATIONS SUBJECT TO CHANGE WITHOUT NOTICE.

PROJECTION

UNLESS OTHERWISE SPECIFIED DIMENSIONS ARE IN INCHES, TOLERANCES FOR ROUGH AND CLEAR OPENING ± .125 INCH. ALL OTHERS ARE:

.X	.XX	.XXX	ANGLES
±.1	±.03	±.010	±2°

DO NOT SCALE DRAWING

 <small>CONFIDENTIAL PROPERTY OF FREEMAN MARINE EQUIPMENT, INC. UNAUTHORIZED USE, REPRODUCTION OR DISTRIBUTION IS STRICTLY PROHIBITED. ALL CODES REMAIN THE PROPERTY OF FREEMAN MARINE EQUIPMENT, INC. AND MUST BE RETURNED UPON REQUEST. © ALL RIGHTS RESERVED 2012, FREEMAN MARINE EQUIPMENT, INC.</small>		28336 HUNTER CREEK ROAD GOLD BEACH, OR 97444 U.S.A. PHONE: 541-247-7078 FAX: 541-247-2114 www.freemanmarine.com	
		CLIENT:	FREEMAN MARINE
DRAWN: D DETTMER		DATE: 13AUG15	TITLE:
CHECKED:		DATE:	HATCH: 24-H K AL COVER, MILD STEEL RING
ENGR:	DATE:	SIZE	CAGE CODE
DESIGN ACTIVITY:	DATE:	D	64747
CONTRACT NO.:	SCALE: 1:2	CALC WT.	ACT. WT.
		DRAWING NUMBER	
		2448-0003-0001	
		REV.	A
		SHEET 3 OF 3	