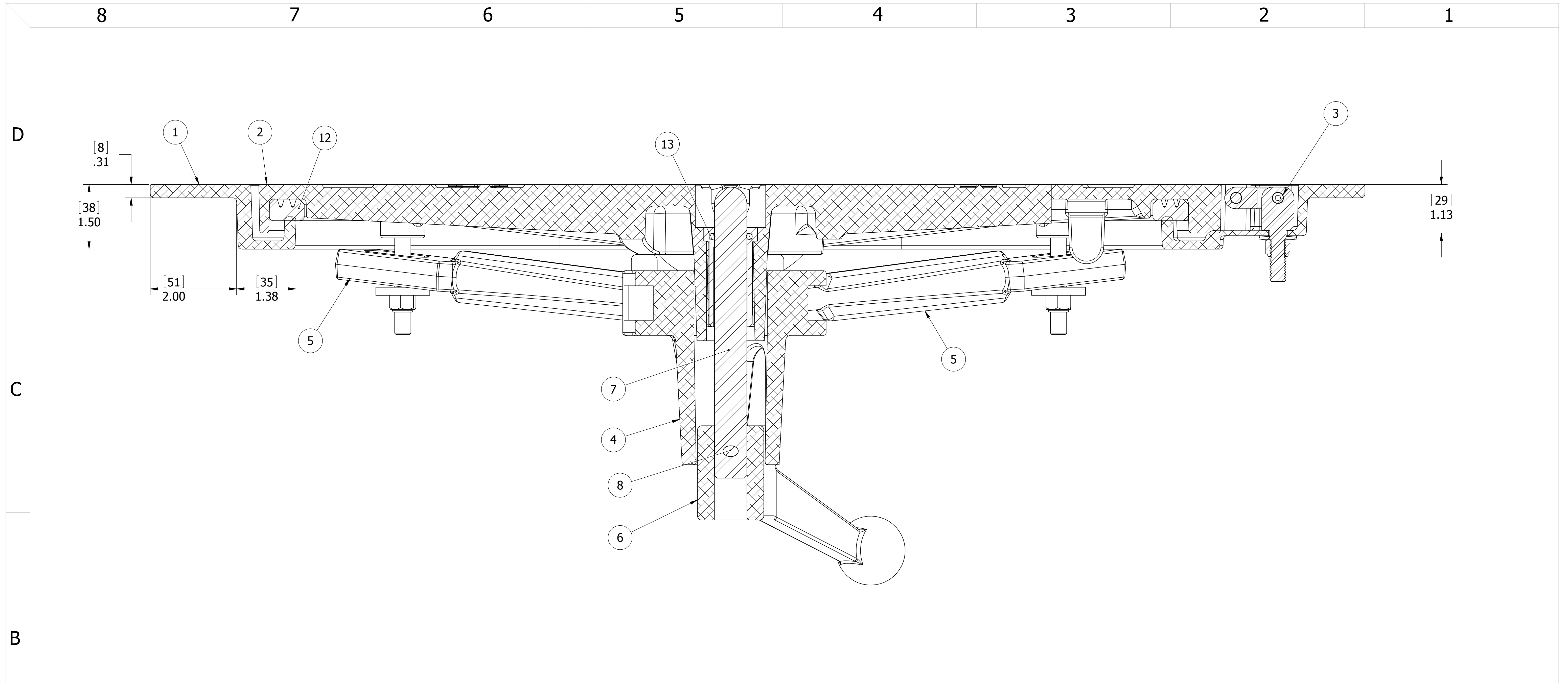


10. FOR SPECIFIC INFORMATION CONTACT SALES.
9. COMPLETE ASSEMBLY WEIGHT W/ DECK RING, 42.6LBS/ 19.3K.
8. DOGGING PRESSURE FULLY ADJUSTABLE.
7. HANDLE POSITION TOPSIDE INDICATES WHETHER DOGGING MECHANISM IS IN OPEN OR CLOSED POSITION.
6. ALUMINUM ALLOY MECHANISM SHOWN.
5. FLUSH, WATERTIGHT CONSTRUCTION.
4. INTEGRAL TOPSIDE "T" HANDLE STANDARD, OTHER TOPSIDE ACTUATION AVAILABLE.
3. CAST ALUMINUM ALLOY FLANGE, FLANGE CAN BE DRILLED FOR BOLTED INSTALLATIONS OR WELDED TO ALUMINUM.
2. QUICK-ACTING, MECHANISM ENGAGES OR DISENGAGES IN QUARTER-TURN OF CENTER SPINDLE.
1. 20.1" X 20.1" CLEAR OPENING, ALL DIMENSIONS SHOWN SUBJECT TO CASTING VARIATION AND ARE REFERENCE ONLY.

NOTES: UNLESS OTHERWISE SPECIFIED.

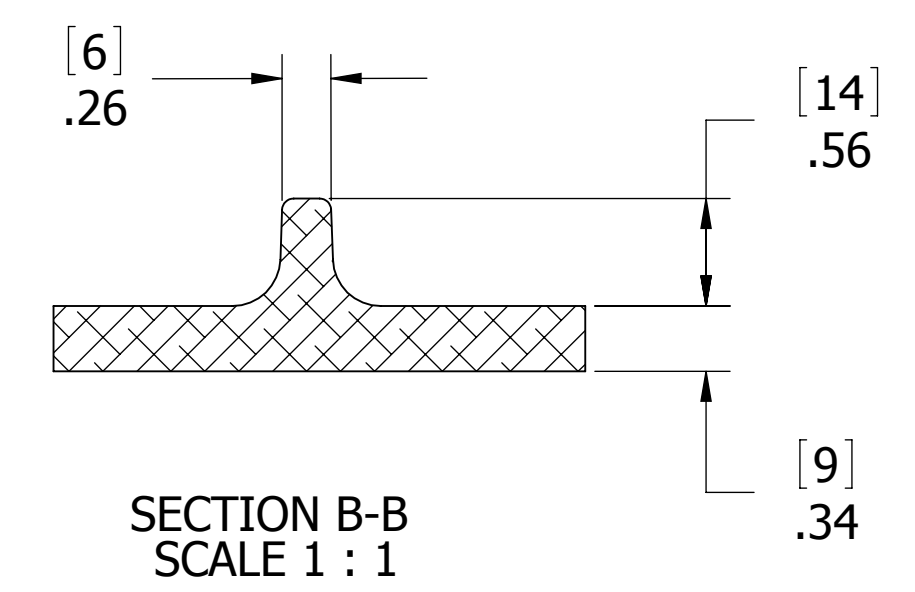
A

SPECIFICATIONS SUBJECT TO CHANGE WITHOUT NOTICE.		FREEMAN MARINE EQUIPMENT, INC.		28336 HUNTER CREEK ROAD GOLD BEACH, OR 97444 U.S.A. PHONE: 541-247-7078 FAX: 541-247-2114 www.freemanmarine.com	
UNLESS OTHERWISE SPECIFIED DIMENSIONS ARE IN INCHES, TOLERANCES FOR ROUGH AND CLEAR OPENING ± .125 INCH. ALL OTHERS ARE:		CONFIDENTIAL PROPERTY OF FREEMAN MARINE EQUIPMENT INC. UNAUTHORIZED USE, COPYING OR DISTRIBUTION IS STRICTLY PROHIBITED. POSSESSOR OF THIS DOCUMENT AGREES TO THE FOREGOING AND SHALL RETURN THIS DOCUMENT UPON REQUEST. © ALL RIGHTS RESERVED 2004		CLIENT: FREEMAN MARINE	
.X .XX .XXX ANGLES ±.1 ±.03 ±.010 ±2°		PROJECTION		TITLE: HATCH: 2020-H K, AL COVER AL RING, W/ ESCAPE HANDLE W/ INTEGRAL TOPSIDE HANDLE	
DO NOT SCALE DRAWING		DRAWN: G MACEACHERN DATE: 27JUN08 CHECKED: DATE: ENGR: DATE: DESIGN ACTIVITY: DATE:		SIZE: D CAGE CODE: 64747 DRAWING NUMBER: 2462-0002-0001 REV. A	
REV. DESCRIPTION: DATE: DRAWN		CONTRACT NO.:		SCALE: 1:3 CALC. WT. ACT. WT. SHEET 1 OF 2	



SECTION A-A

ITEM NO.	QTY.	PART NUMBER	DESCRIPTION	MATERIAL
13	1	0031-2058	BUSHING ASSY, W/O-RING, NO SLEEVE	ACETRON/RUBBER
12	1	9813-2002	GASKET, 2020 (5.94" OF 0631-9813)	NEOPRENE
11	4	0413-2005	WASHER, .406 X 1.250 X .062 NYLON	NYLON
10	4	0411-2032	NUT .375IN NYLOCK	316/316L
9	4	0411-2033	WASHER .406 X 1.25 X .125IN SS 316	SS, 316
8	1	0411-2004	PIN KNURLED .25 X 2.25IN SS 316	SS, 316
7	1	0021-2005	HANDLE, S/S, ROUND BAR	SS, 316
6	1	0112-2003	ESCAPE HANDLE, AL	AL, 535.2-F
5	4	0211-2009	DOG, LOCKING ARM, 2020, AL	ALUMINUM, 535.2-F
4	1	0011-2002	HUB, AL, 4 HOLE	AL, 535.2-F
3	2	0461-2205	HINGE ASSY, DOUBLE-ACTING, CAST HATCH,2	REF S/A - B.O.M.
2	1	2462-3001	COVER, 2020-H K ALUM, FINISHED CASTING	ALUM, 356 SAND CAST
1	1	2462-1002	RING, 2020-H ALUM	ALUMINUM



SECTION B-B
SCALE 1 : 1

REV.	DESCRIPTION	DATE	DRAWN
-	INITIAL RELEASE	27JUN08	GJM
A	UPDATE GEN. NOTES & B.O.M.	04OCT11	PPC

SPECIFICATIONS SUBJECT TO CHANGE WITHOUT NOTICE.

PROJECTION

UNLESS OTHERWISE SPECIFIED DIMENSIONS ARE IN INCHES, TOLERANCES FOR ROUGH AND CLEAR OPENING ± .125 INCH. ALL OTHERS ARE:

.X	.XX	.XXX	ANGLES
±.1	±.03	±.010	±2°

DO NOT SCALE DRAWING

FREEMAN MARINE EQUIPMENT, INC.

28336 HUNTER CREEK ROAD
GOLD BEACH, OR 97444 U.S.A.
PHONE: 541-247-7078 FAX: 541-247-2114
www.freemanmarine.com

CLIENT: **FREEMAN MARINE**

TITLE: **HATCH: 2020-H K, AL COVER
AL RING, W/ ESCAPE HANDLE
W/ INTEGRAL TOPSIDE HANDLE**

SIZE: **D** CAGE CODE: **64747** DRAWING NUMBER: **2462-0002-0001** REV. **A**

SCALE: 1:1.125 CALC. WT. ACT. WT. SHEET 2 OF 2