

- 10. FOR SPECIFIC INFORMATION CONTACT SALES.
- 9. COMPLETE ASSEMBLY WEIGHT W/ DECK RING, 94.1LBS/ 42.7K.
- 8. DOGGING PRESSURE FULLY ADJUSTABLE.
- 7. HANDLE POSITION TOPSIDE INDICATES WHETHER DOGGING MECHANISM IS IN OPEN OR CLOSED POSITION.
- 6. ALUMINUM ALLOY MECHANISM SHOWN.
- 5. FLUSH, WATERTIGHT CONSTRUCTION.
- 4. INTEGRAL TOPSIDE "T" HANDLE STANDARD, OTHER TOPSIDE ACTUATION AVAILABLE.
- 3. ALUMINUM RING, FOR WELDED INSTALATIONS.
- 2. QUICK-ACTING, MECHANISM ENGAGES OR DISENGAGES IN QUARTER-TURN OF CENTER SPINDLE.
- 1. 30"X36" CLEAR OPENING, ALL DIMENSIONS SHOWN SUBJECT TO CASTING VARIATION AND ARE REFERENCE ONLY.

NOTES: UNLESS OTHERWISE SPECIFIED

A

CUSTOMER APPROVAL

Signature: _____

Date: _____

IMPORTANT! THIS DRAWING SUPERSEDES ALL OTHER DOCUMENTS. By signing this approval you accept and agree that the dimensions and details shown are correct and properly fit your application, regardless of any differences between this drawing and any contract specifications. Should you see any errors in the drawing, or have any questions, please contact your Freeman Marine sales engineer for clarification.

REV.	DESCRIPTION:	DATE:	DRAWN
B	ADDED GENERAL NOTES	13AUG15	DRD
A	PRODUCTION RELEASE	20MAY13	ZJC

SPECIFICATIONS SUBJECT TO CHANGE WITHOUT NOTICE.

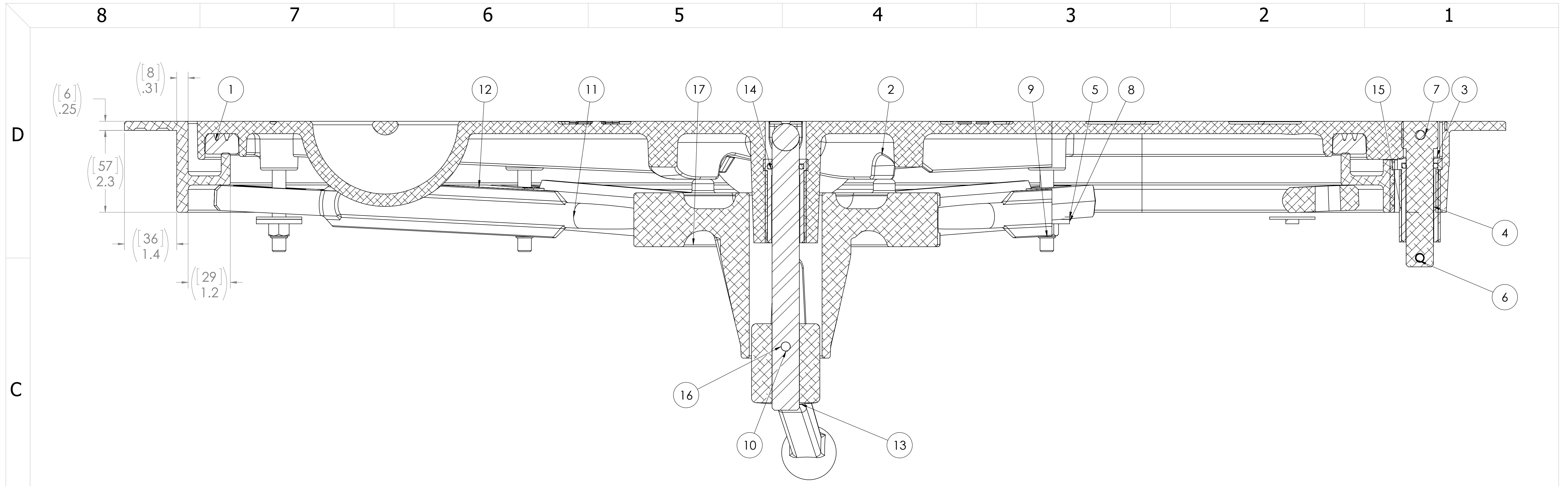
PROJECTION

UNLESS OTHERWISE SPECIFIED DIMENSIONS ARE IN INCHES, TOLERANCES FOR ROUGH AND CLEAR OPENING ± .125 INCH. ALL OTHERS ARE:

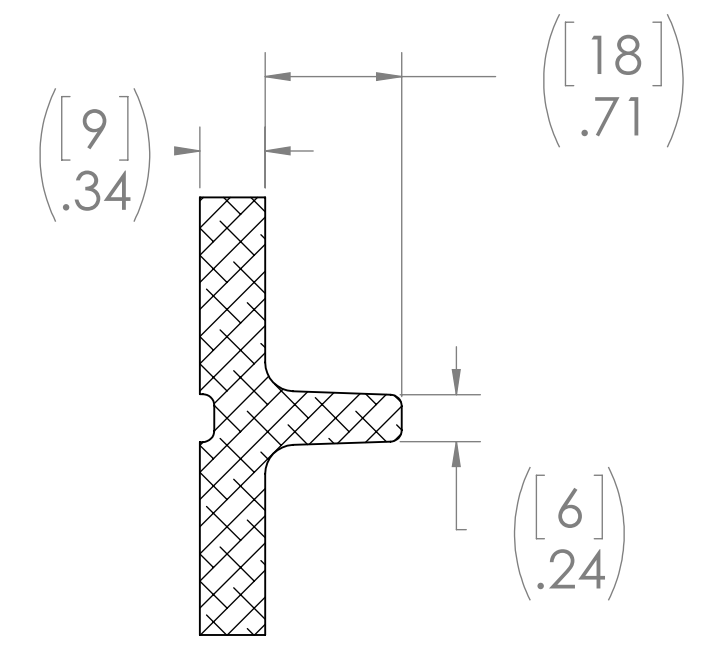
.X	.XX	.XXX	ANGLES
±.1	±.03	±.010	±2°

DO NOT SCALE DRAWING

		28336 HUNTER CREEK ROAD GOLD BEACH, OR 97444 U.S.A. PHONE: 541-247-7078 FAX: 541-247-2114 www.freemanmarine.com	
		CLIENT: FREEMAN MARINE EQUIPMENT, INC.	TITLE: AL COVER, AL RING W/ INTEGRAL TOPSIDE HANDLE
DRAWN: Z. CARPENTER CHECKED: D. YOES ENGR: _____ DESIGN ACTIVITY: _____ CONTRACT NO.: _____	DATE: 20MAY13 DATE: 20MAY13 DATE: _____	SIZE: D SCALE: 1:5	CAGE CODE: 64747 DRAWING NUMBER: 2469-0002-0001 CALC. WT. _____ ACT. WT. _____
		REV. B	SHEET 1 OF 3



SECTION A-A



SECTION B-B
SCALE 1:1

ITEM NO.	QTY.	PART NUMBER	DESCRIPTION	MATERIAL
17	1	0011-2007	HUB, AL, 8 HOLE	ALUMINUM, 535.2-F
16	1	0021-2018	HANDLE, S/S, ROUND BAR, 3636 HATCH	STAINLESS STEEL, 316
15	2	0031-2001	BUSHING ASSY, STD HATCH, W/SLEEVE	VARIOUS
14	1	0031-2058	BUSHING ASSY, W/O-RING, NO SLEEVE	ACETRON/RUBBER
13	1	0112-2023	ESCAPE HANDLE, 8 HOLE HUB, AL	ALUMINUM, 535.2-F
12	4	0211-2026	DOG, LOCKING ARM, 3636, AL	ALUMINUM, 535.2-F
11	4	0211-2030	DOG, LOCKING ARM 3036, AL, 15	ALUMINUM, 535.2-F
10	1	0411-2005	PIN KNURLED .25 X 2.75IN SS 316	SS 316/316L
9	8	0411-2032	NUT .375IN-16 SS 316 NYLOCK	SS, 316
8	8	0411-2033	WASHER .406 X 1.25 X .125IN SS 316	SS, 316
7	2	0411-2263	PIN, KNURLED, 1/4 X 5-1/8	316 S/S
6	2	0411-2966	PIN, SPIROL MDP: 1/4 X 1-1/4, S/S	316 STAINLESS STEEL
5	8	0413-2005	WASHER, .406 X 1.250 X .062 NYLON	NYLON
4	2	0462-2052	PIN, HINGE	316 STAINLESS STEEL
3	1	2469-1002	RING: 3036-H ALUM RING	ALUMINUM
2	1	2469-3001	COVER, 3036 ALUM, FINISHED CASTING	ALUMINUM
1	1	9813-2022	GASKET, 3036ALR(10.8' OF 0631-9813)	NEOPRENE

CUSTOMER APPROVAL

Signature: _____
Date: _____

IMPORTANT! THIS DRAWING SUPERSEDES ALL OTHER DOCUMENTS. By signing this approval you accept and agree that the dimensions and details shown are correct and properly fit your application, regardless of any differences between this drawing and any contract specifications. Should you see any errors in the drawing, or have any questions, please contact your Freeman Marine sales engineer for clarification.

REV.	DESCRIPTION	DATE	DRAWN
B	ADDED GENERAL NOTES	13AUG15	DRD
A	PRODUCTION RELEASE	20MAY13	ZJC

SPECIFICATIONS SUBJECT TO CHANGE WITHOUT NOTICE.

PROJECTION

UNLESS OTHERWISE SPECIFIED DIMENSIONS ARE IN INCHES, TOLERANCES FOR ROUGH AND CLEAR OPENING ± .125 INCH. ALL OTHERS ARE:

.X	.XX	.XXX	ANGLES
±.1	±.03	±.010	±2°

DO NOT SCALE DRAWING

FREEMAN MARINE EQUIPMENT, INC.

28336 HUNTER CREEK ROAD
GOLD BEACH, OR 97444 U.S.A.
PHONE: 541-247-7078 FAX: 541-247-2114
www.freemanmarine.com

CLIENT: **FREEMAN MARINE EQUIPMENT, INC.**

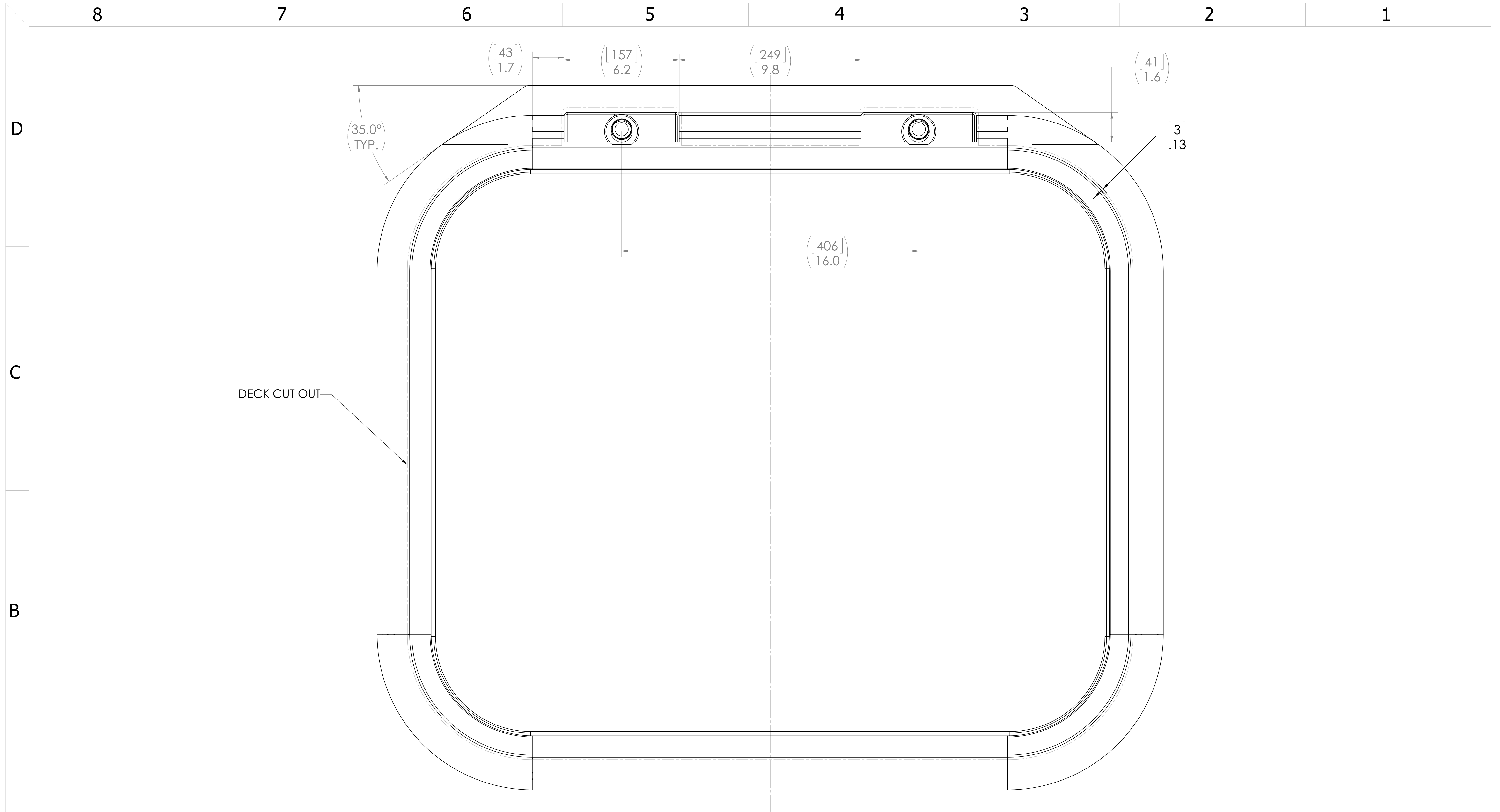
TITLE: **AL COVER, AL RING
W/ INTEGRAL TOPSIDE HANDLE**

SIZE: **64747** CAGE CODE: **2469-0002-0001** REV. **B**

SCALE: 3:4 CALC. WT. ACT. WT. SHEET 2 OF 3

CONFIDENTIAL PROPERTY OF FREEMAN MARINE EQUIPMENT, INC. UNAUTHORIZED USE, REPRODUCTION OR DISTRIBUTION IS STRICTLY PROHIBITED. ALL COPIES REMAIN THE PROPERTY OF FREEMAN MARINE EQUIPMENT, INC. AND MUST BE RETURNED UPON REQUEST. © ALL RIGHTS RESERVED 2012, FREEMAN MARINE EQUIPMENT, INC.

DRAWN: Z. CARPENTER DATE: 20MAY13
CHECKED: D. YOES DATE: 20MAY13
ENGR: DATE: _____
DESIGN ACTIVITY: DATE: _____
CONTRACT NO.: _____



A

B

C

D

8 7 6 5 4 3 2 1

(.43)
1.7

(.157)
6.2

(.249)
9.8

(.41)
1.6

(.3)
.13

(.406)
16.0

(35.0°
TYP.)

DECK CUT OUT

CUSTOMER APPROVAL

Signature: _____
Date: _____

IMPORTANT! THIS DRAWING SUPERSEDES ALL OTHER DOCUMENTS. By signing this approval you accept and agree that the dimensions and details shown are correct and properly fit your application, regardless of any differences between this drawing and any contract specifications. Should you see any errors in the drawing, or have any questions, please contact your Freeman Marine sales engineer for clarification.

REV.	DESCRIPTION:	DATE:	DRAWN
B	ADDED GENERAL NOTES	13AUG15	DRD
A	PRODUCTION RELEASE	20MAY13	ZJC

SPECIFICATIONS SUBJECT TO CHANGE WITHOUT NOTICE.

PROJECTION

UNLESS OTHERWISE SPECIFIED DIMENSIONS ARE IN INCHES, TOLERANCES FOR ROUGH AND CLEAR OPENING ± .125 INCH. ALL OTHERS ARE:

.X	.XX	.XXX	ANGLES
±.1	±.03	±.010	±2°

DO NOT SCALE DRAWING

		28336 HUNTER CREEK ROAD GOLD BEACH, OR 97444 U.S.A. PHONE: 541-247-7078 FAX: 541-247-2114 www.freemanmarine.com	
		CLIENT: FREEMAN MARINE EQUIPMENT, INC.	TITLE: AL COVER, AL RING W/ INTEGRAL TOPSIDE HANDLE
DRAWN: Z. CARPENTER CHECKED: D. YOES ENGR: DESIGN ACTIVITY: CONTRACT NO.:	DATE: 20MAY13 DATE: 20MAY13 DATE:	SIZE: D CAGE CODE: 64747 SCALE: 1:2.5	DRAWING NUMBER: 2469-0002-0001 ACT. WT.
		REV. B SHEET 3 OF 3	