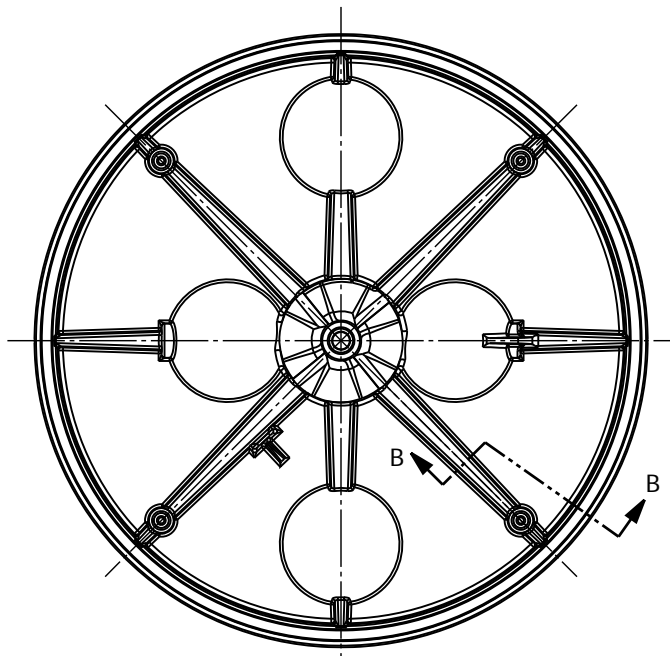
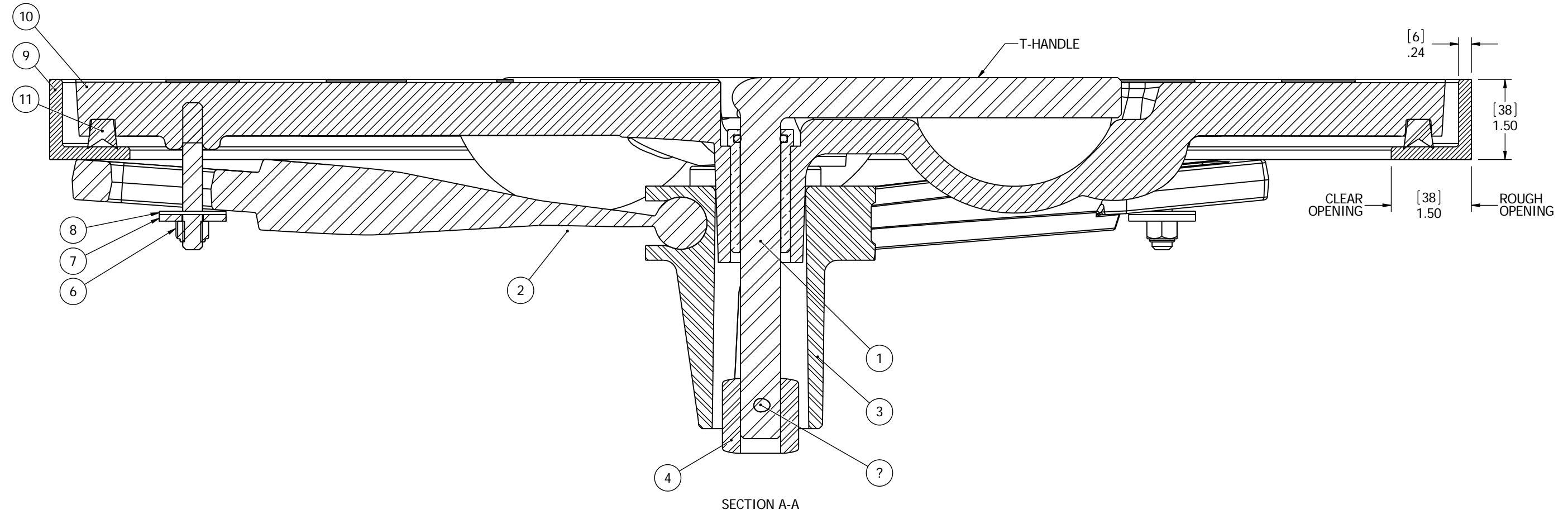
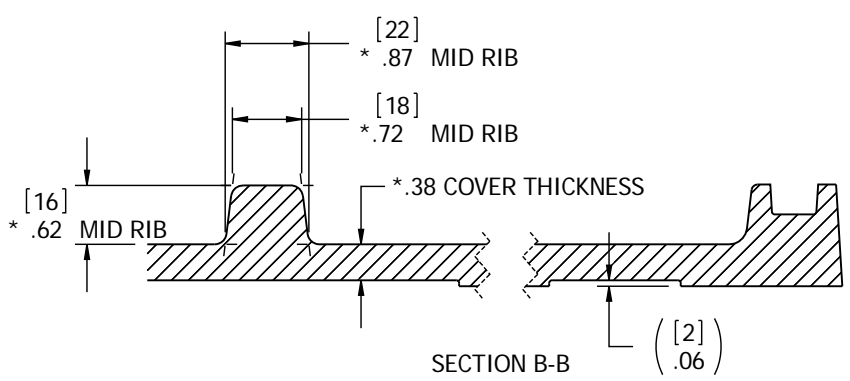


8 7 6 5 4 3 2 1

D
C
B
A



INTERIOR VIEW
CAST COVER



SECTION B-B (.06)

ITEM NO.	QTY	PART NUMBER	DESCRIPTION	MATERIAL
11	1	9839-2003	GASKET: 24 DI(6.54FT OF 0631-9839)	NEOPRENE
10	1	2482-3001	COVER: 24 DI, FINISHED CASTING	REF. S/A B.O.M.
9	1	2482-1103	RING: 24 MILD STEEL, DUCTILE IRON CVR	MILD STEEL
8	4	0413-2005	WASHER, .406 X 1.250 X .062 NYLON	NYLON
7	4	0411-2033	WASHER .406 X 1.25 X .125IN SS 316	SS 316/316L
6	4	0411-2032	NUT .375IN-16 SS 316 NYLOCK	SS 316/316L
5	1	0411-2004	PIN KNURLED .25 X 2.25IN SS 316	SS 316/316L
4	1	0212-2017	ACTUATOR, 316LD S/S	STAINLESS STEEL, 316L
3	1	0212-2015	HUB, 4 HOLE, 316L S/S	CAST STAINLESS STEEL
2	4	0212-2010	DOG, LOCKING ARM 24, 316L S/S	316 STAINLESS STEEL
1	1	0021-2005	HANDLE, S/S, ROUND BAR	STAINLESS STEEL, 316

NOTE: * NOMINAL DIMENSION VALUE DUE TO CASTING VARIATIONS.

SPECIFICATIONS SUBJECT TO CHANGE WITHOUT NOTICE.		FREEMAN MARINE EQUIPMENT, INC. 28336 HUNTER CREEK ROAD GOLD BEACH, OR 97444 U.S.A. PHONE: 541-247-7078 FAX: 541-247-2114 www.freemanmarine.com	
UNLESS OTHERWISE SPECIFIED DIMENSIONS ARE IN INCHES, TOLERANCES FOR ROUGH AND CLEAR OPENING ± .125 INCH. ALL OTHERS ARE: .X .XX .XXX ANGLES ±.1 ±.03 ±.010 ±2°		CLIENT: FREEMAN MARINE EQUIPMENT, INC. TITLE: HATCH: 24, DI COVER, MS RING	
PROJECTION		CONFIDENTIAL PROPERTY OF FREEMAN MARINE EQUIPMENT, INC. UNAUTHORIZED USE, COPYING OR DISTRIBUTION IS STRICTLY PROHIBITED. POSSESSION OF THIS DOCUMENT AGREES TO THE FOREGOING AND SHALL BE RETURN THIS DOCUMENT UPON REQUEST. ALL RIGHTS RESERVED 2004	
DRAWN: R. REESE DATE: 08JUN11 CHECKED: P. CANCELLIERI DATE: 08JUN11 ENGR: DATE: DESIGN ACTIVITY: DATE: CONTRACT NO.:		SIZE: D CAGE CODE: 64747 DRAWING NUMBER: 2482-0107 REV: - SCALE: 1:1 CALC. WT. ACT. WT. SHEET 2 OF 3	

8

7

6

5

4

3

2

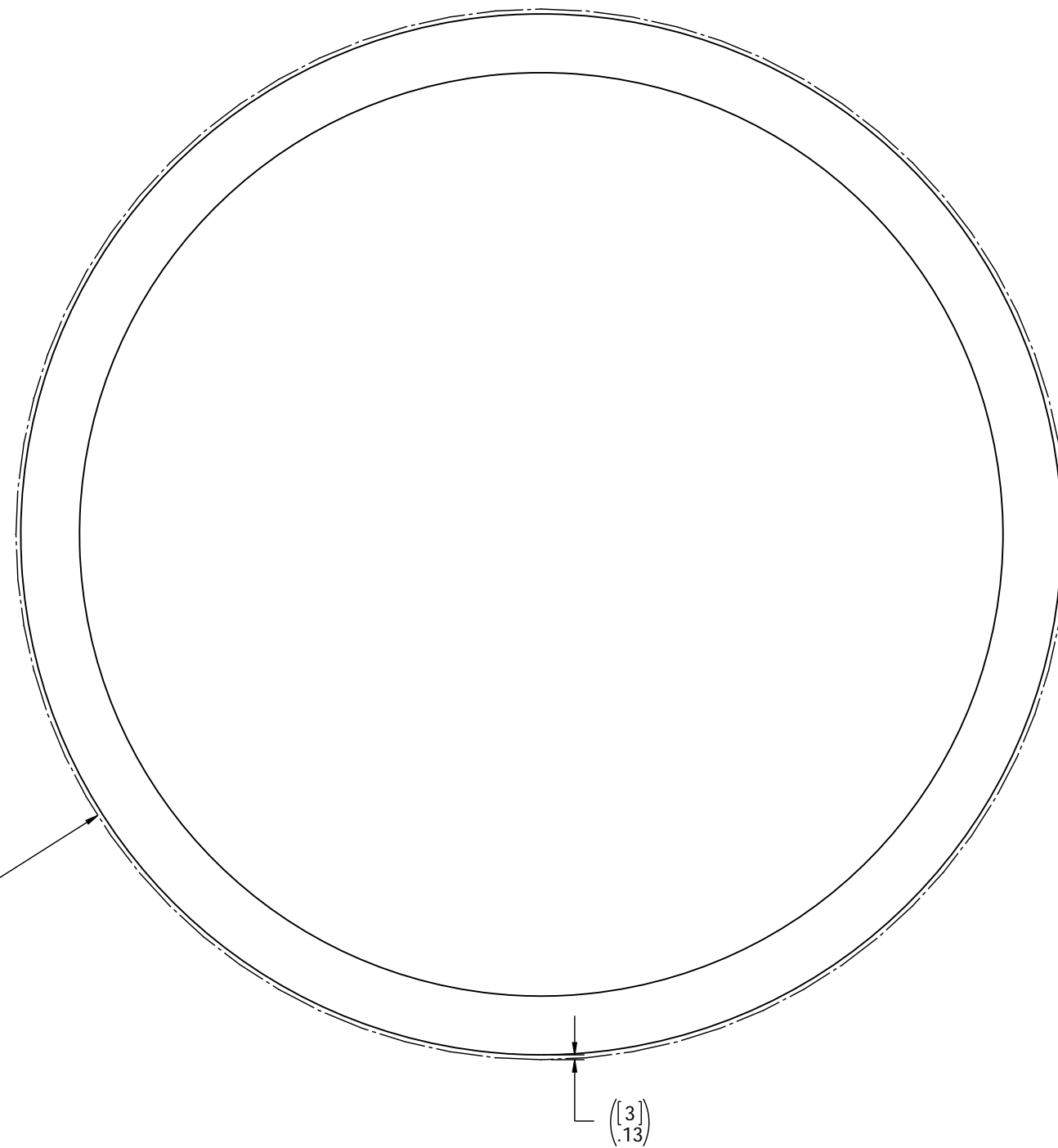
1

D

C

B

A



- 3. FINISH: 125 RMS MAX.
- 2. BREAK SHARP EDGES AND DEBURR.
- 1. MATERIAL:

NOTES: UNLESS OTHERWISE SPECIFIED.

CUSTOMER APPROVAL

Signature: _____
Date: _____

IMPORTANT! THIS DRAWING SUPERSEDES ALL OTHER DOCUMENTS. By signing this approval you accept and agree that the dimensions and details shown are correct and properly fit your application, regardless of any differences between this drawing and any contract specifications. Should you see any errors in the drawing, or have any questions, please contact your Freeman Marine sales engineer for clarification.

REV.	DESCRIPTION	DATE	DRAWN
-	INITIAL RELEASE	08JUN11	RR

SPECIFICATIONS SUBJECT TO CHANGE WITHOUT NOTICE.

PROJECTION

UNLESS OTHERWISE SPECIFIED DIMENSIONS ARE IN INCHES, TOLERANCES FOR ROUGH AND CLEAR OPENING $\pm .125$ INCH. ALL OTHERS ARE:
.X .XX .XXX ANGLES
 $\pm .1 \pm .03 \pm .010 \pm 2^\circ$

DO NOT SCALE DRAWING

FREEMAN
MARINE EQUIPMENT, INC.

CONFIDENTIAL PROPERTY OF FREEMAN MARINE EQUIPMENT, INC. UNAUTHORIZED USE, REPRODUCTION OR DISTRIBUTION IS STRICTLY PROHIBITED. ALL COPIES REMAIN THE PROPERTY OF FREEMAN MARINE EQUIPMENT, INC. AND MUST BE RETURNED UPON REQUEST. © ALL RIGHTS RESERVED 2012, FREEMAN MARINE EQUIPMENT, INC.

28336 HUNTER CREEK ROAD
GOLD BEACH, OR 97444 U.S.A.
PHONE: 541-247-7078 FAX: 541-247-2114
www.freemanmarine.com

CLIENT: **FREEMAN MARINE EQUIPMENT, INC.**

TITLE: **HATCH: 24, DI COVER, MS RING**

SIZE	CAGE CODE	DRAWING NUMBER	REV.
D	64747	2482-0107	-

SCALE: 1:2 CALC. WT. ACT. WT. SHEET 3 OF 3