

When wider access is needed, FREEMAN MARINE French doors perform like two single panel doors that seal to each other. The same high quality tooling and construction techniques used to make the single leaf Heavy Duty door are put to work in the construction of each 1620 French door. Heavy Duty doors feature thick panel skins, extra internal reinforcements, no exposed seams and all welded construction to create a rugged closure in individually dogged versions. Heavy Duty panels feature a lineal brushed finish, a FREEMAN trademark that creates a durable, uniform texture. When specified with optional yacht-quality paint to your color specifications, the 1620 Series welded construction results in a smooth, seamless appearance that features long lasting beauty. Doors offer welded-in windows and can accommodate special glazing. Solidly constructed and fully insulated, Heavy Duty French doors are suitable for the following typical high traffic access installations:

- Salon • Main Deck • Owner's Cabin

FRENCH, HEAVY-DUTY DESIGN FEATURES

- Custom Sizing, width and height
- .160"~.250" Thick Aluminum Panel Skins
- Welded Frame and Skin Construction
- Gasket on Door Panel for Long Life and Positive Sealing
- Gasketed Seam Between Panels
- Radius or Mitered Corners
- Bolt-in, Weld-in or Clamp-in Frames
- Added Internal Stiffeners
- Lineal Sanded Finish Yacht-quality painted finish (avail)
- Stainless Steel Dog Shafts
- Cast Aluminum Handles, powder coat (opt avail)
- Glass Filled Striker Wedges
- Solid Insulation (opt materials avail)
- Stainless Steel Hinges (opt avail)
- Stainless Steel Fasteners
- Welded In Window, glazing and tint (opt avail)



Heavy Duty French doors are custom fabricated to each applications specific needs.



Quick-acting version,
Exterior, Closed,
Bare metal



Quick-acting version,
Active panel open,
Unpainted



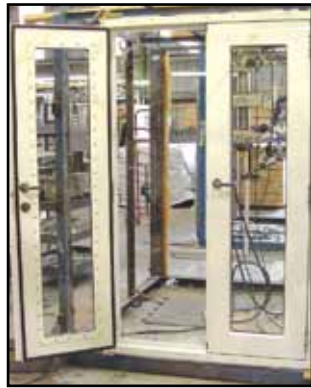
Mitered corners,
Full glass, Upper half sidelights



Inactive panel open,
Unpainted



Quick-acting version,
Round ports, Interior,
Unpainted



Mitered corners, No dogs,
Full glass, Painted



Radius corners,
Edge of panel dogs, Full glass



Interior view,
Closed, Painted



French doors,
Exterior view, Painted



French doors,
Manual dogs, Painted,
Active panel open



French doors,
Manual dogs, Painted,
Both panels open

Edge-of-panel,
Drop bolt



Lockset
with roses,
Exterior

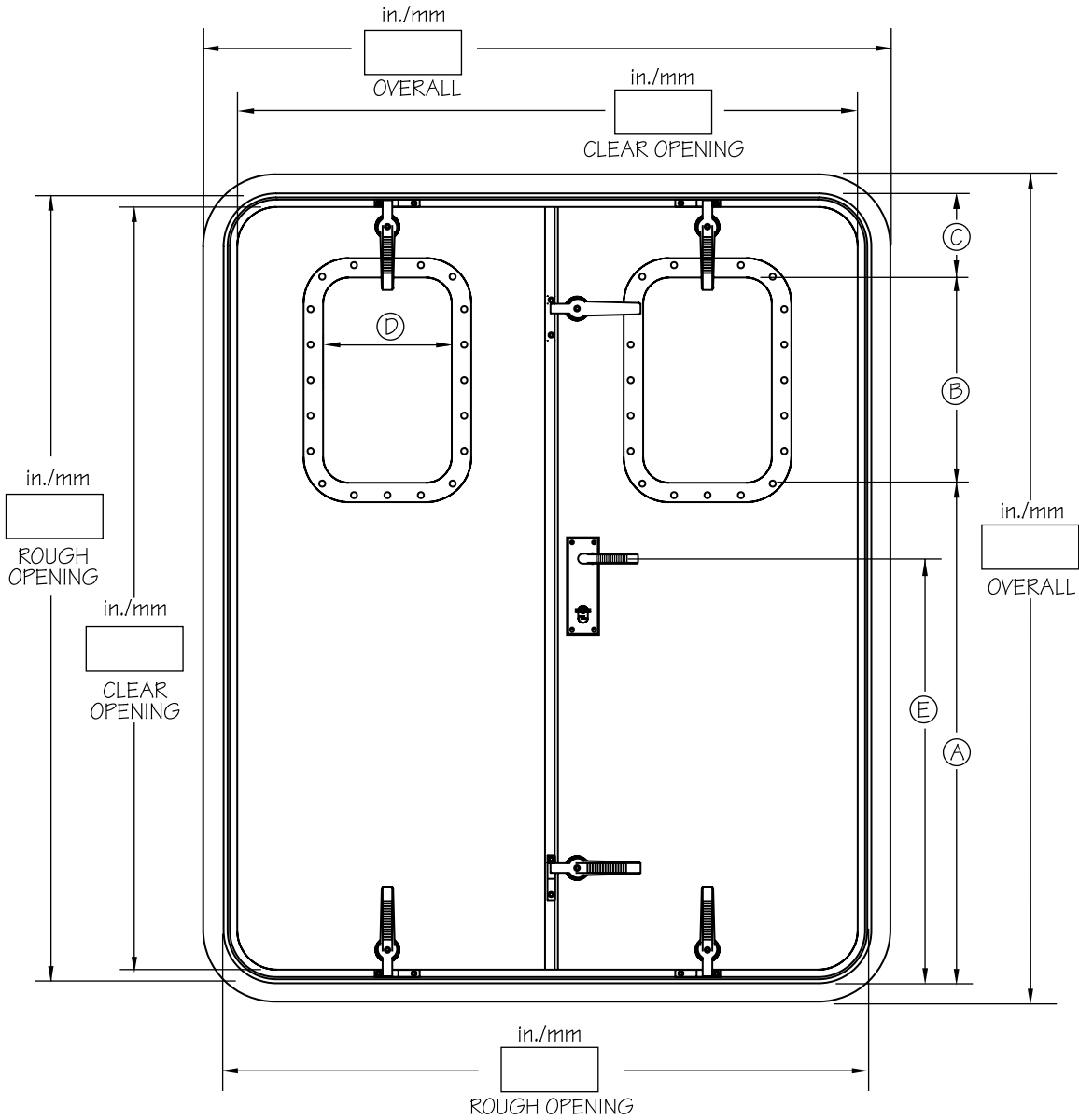


Lockset
with roses,
Interior



Interior view of
windows
and dogs

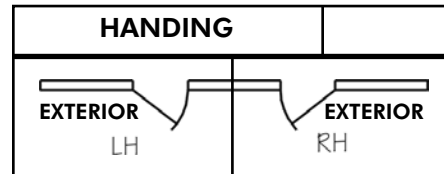




INTERIOR
(See 1120 for Exterior View)

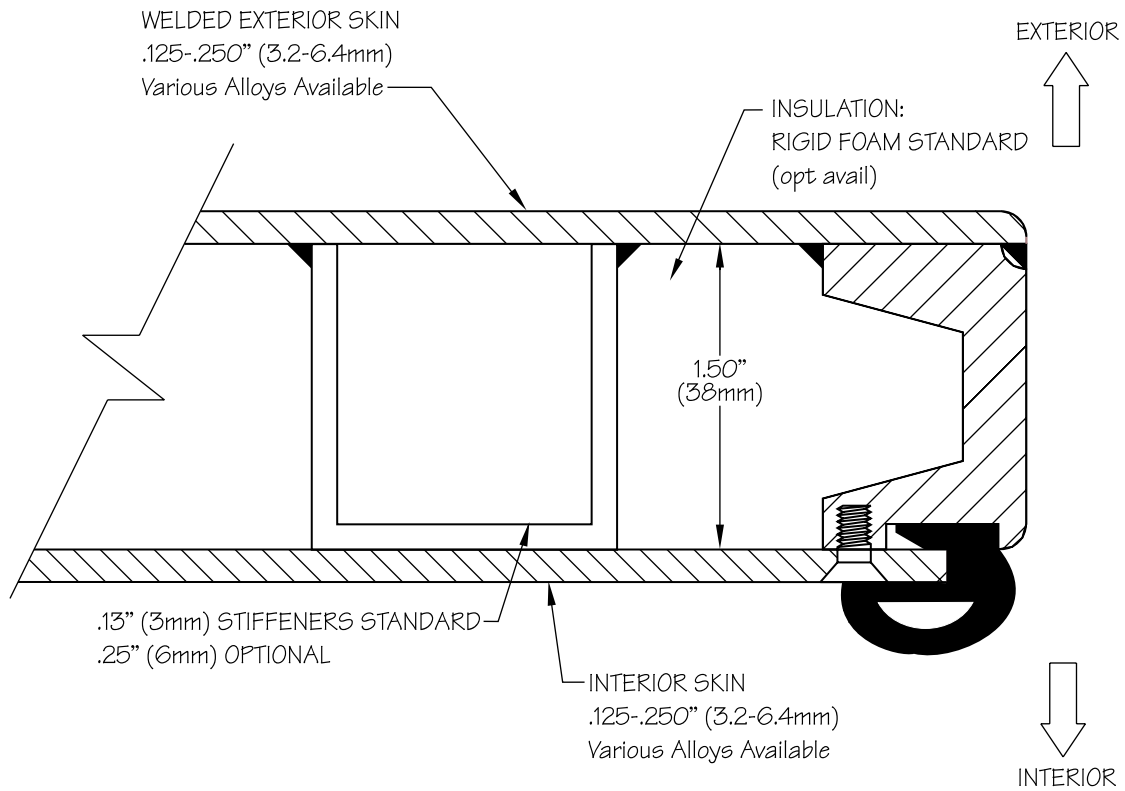
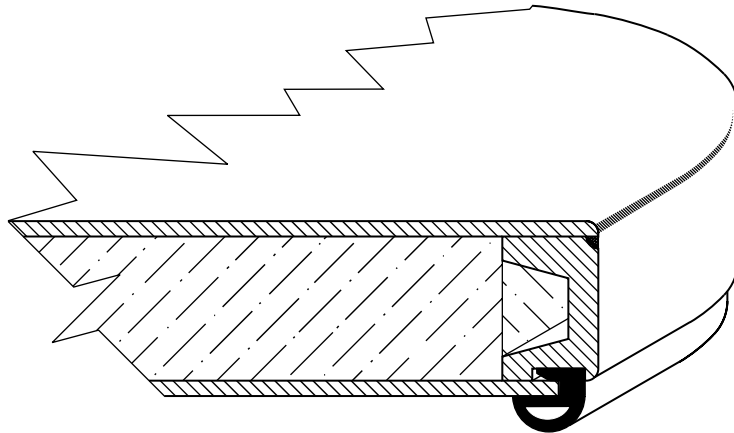
LAYOUT
MODEL 1620

inches		mm		Dimensions For Options
A				Bottom of Clear Glass to Bottom Rough Opening
B				Clear Glass Height
C				Top of Clear Glass to Top of Rough Opening, min 7"
D				Clear Glass Width, min side clearance 6"
E				Handle/Lockset - C/L to Bottom Rough Opening



Scale	None
--------------	------

© ALL RIGHTS RESERVED
2010 FREEMAN MARINE EQUIPMENT, INC.
SPECIFICATIONS SUBJECT TO CHANGE WITHOUT NOTICE

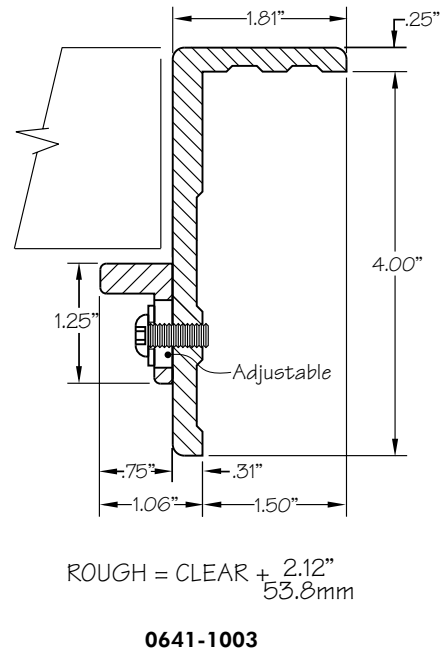
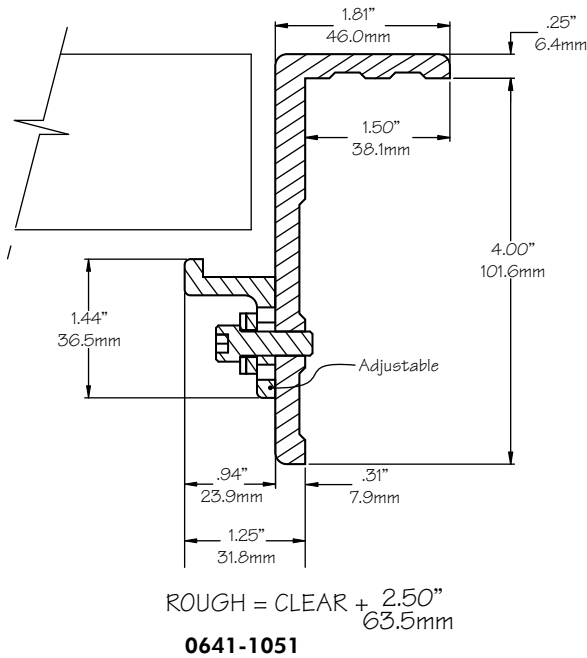
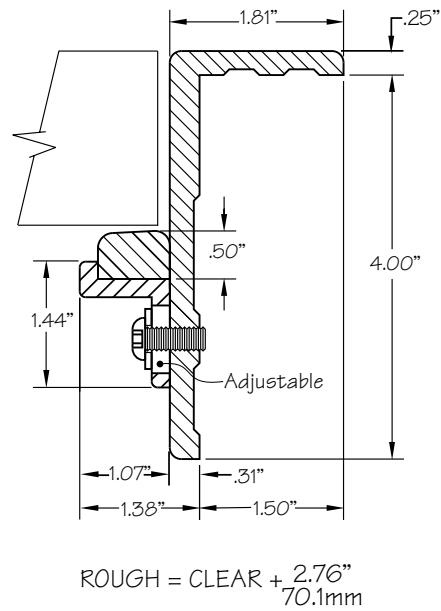
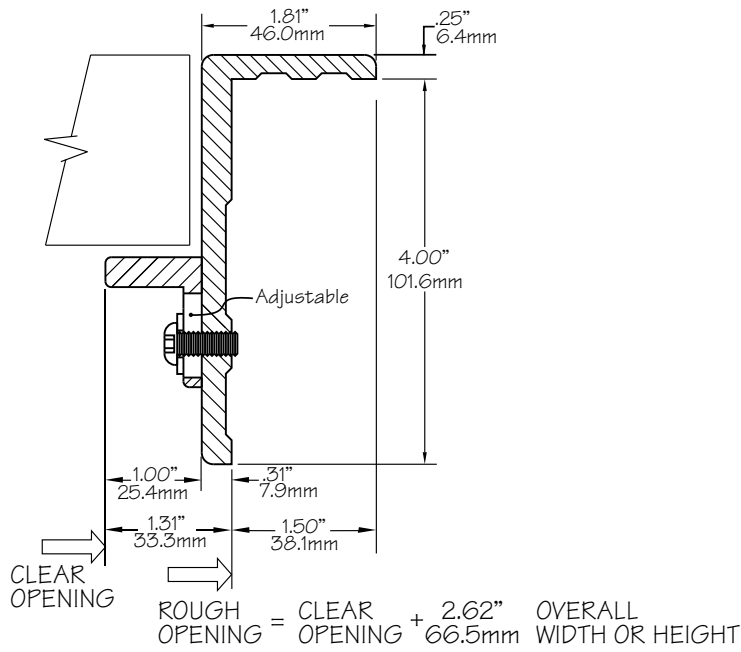


PANEL

Sealing Performance	Weather Tight		
Availability	1120 Single	1420 Quick-Acting	1520 Dutch
	1620 French	1720 Sliding Doors	

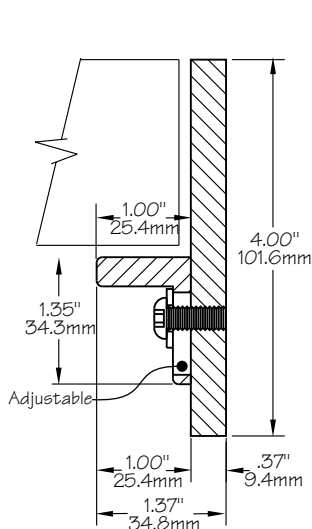
© ALL RIGHTS RESERVED
2010 FREEMAN MARINE EQUIPMENT, INC.
SPECIFICATIONS SUBJECT TO CHANGE WITHOUT NOTICE

Degree of watertightness depends on panel and coaming construction, number of dogs, proper installation and sealing adjustment. Closures are individually defined, specified and fabricated for each application.

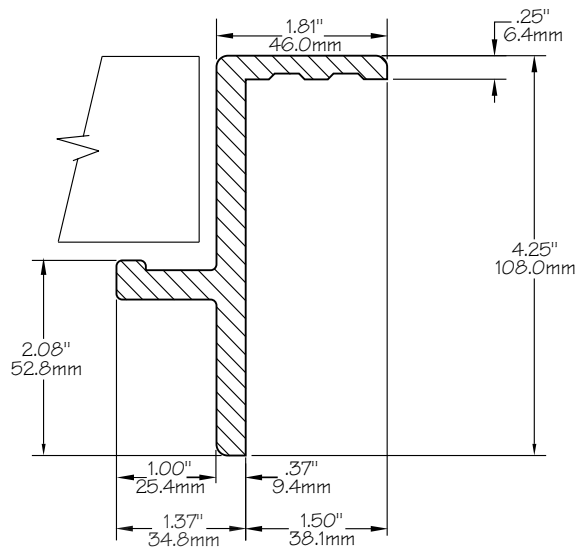


COAMING

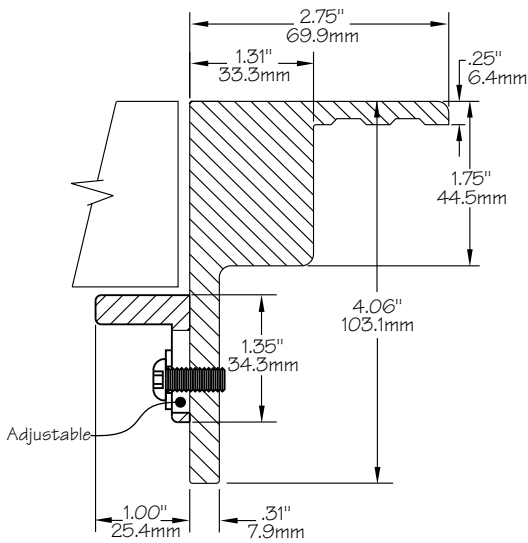
Coaming Assembly No.	0641-1001	0641-1002	0641-1003	0641-1051	Degree of watertightness depends on panel and coaming construction, number of dogs, proper installation and sealing adjustment. Closures are individually defined, specified and fabricated for each application. © ALL RIGHTS RESERVED 2010 FREEMAN MARINE EQUIPMENT, INC. SPECIFICATIONS SUBJECT TO CHANGE WITHOUT NOTICE
Gasket Seal Stop Type	1" Wide Flat	Gasket in Coaming	3/4" Wide Flat	Gasket in Coaming	
Coaming Material	Aluminum				
Coaming Configuration	Extrusion w/ Flange				
Stop Type / Material	Adjustable / Aluminum				



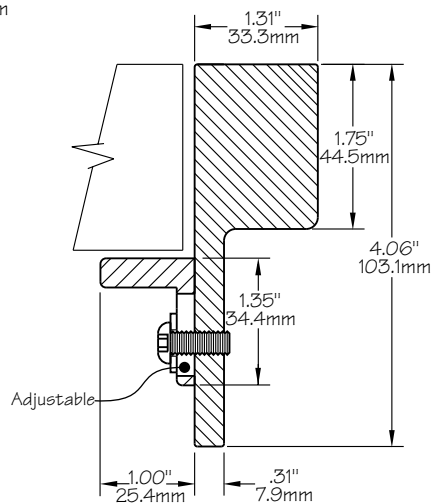
Aluminum - Flat Bar, 4.00" x .38", No Flange
Stop - Adjustable, 1.00" wide
0641-1004



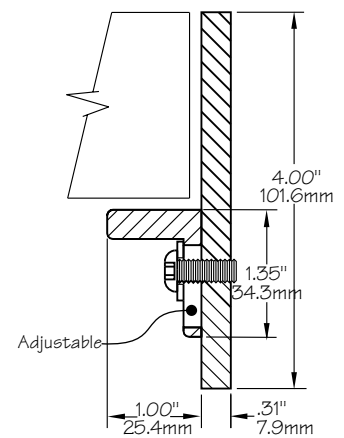
Aluminum - Angle Extrusion, 4.25" x 1.81", Flange
Stop - Fixed
0641-1007



Aluminum - Custom Extrusion, 4.06" x 1.31" + 1.44",
w/ Flange & heavy section for Dog Engagement
Stop - Adjustable, 1.00" wide
0641-1008



Aluminum - Custom Extrusion, 4.06" x 1.31",
No Flange & heavy section for Dog Engagement
Stop - Adjustable, 1.00" wide
0641-1011

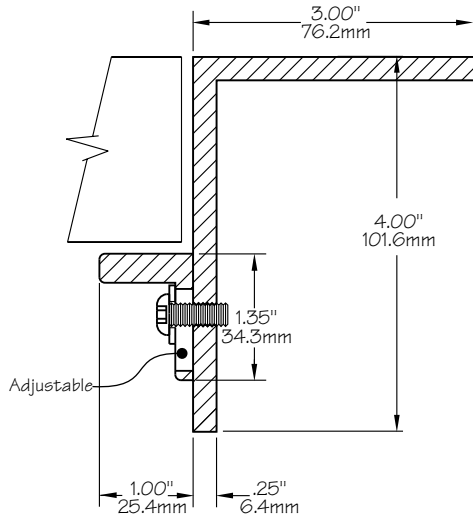


Steel - Flat Bar, 4.00" x .32",
Stop - Adjustable - 1.00" wide
0641-1028

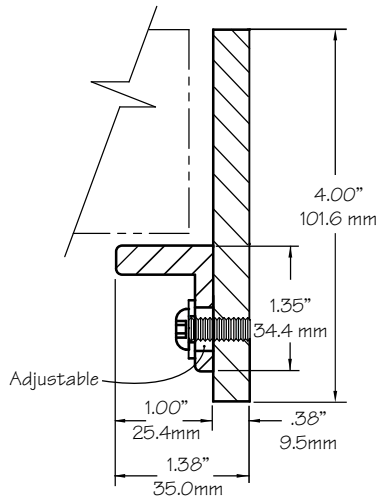
Degree of watertightness depends on panel and coaming construction, number of dogs, proper installation and sealing adjustment. Closures are individually defined, specified and fabricated for each application.

© ALL RIGHTS RESERVED
2010 FREEMAN MARINE EQUIPMENT, INC.
SPECIFICATIONS SUBJECT TO CHANGE WITHOUT NOTICE

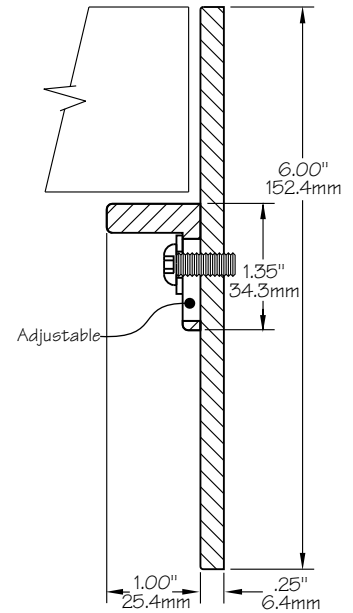
COAMING



Steel - Angle, 4.00' x 3.00' x .25',
 Stop - Adjustable, 1.00' wide
0641-1031



Stainless Steel - Flat Bar 4.00" x 3/8"
 Stop - Adjustable, 1.00" wide - Aluminum
0641-1046



Stainless Steel - Flat Bar 6.00" X .25",
 Stop, Adjustable - 1.00" wide
0641-1022

Degree of watertightness depends on panel and coaming construction, number of dogs, proper installation and sealing adjustment. Closures are individually defined, specified and fabricated for each application.

© ALL RIGHTS RESERVED
 2010 FREEMAN MARINE EQUIPMENT, INC.
 SPECIFICATIONS SUBJECT TO CHANGE WITHOUT NOTICE