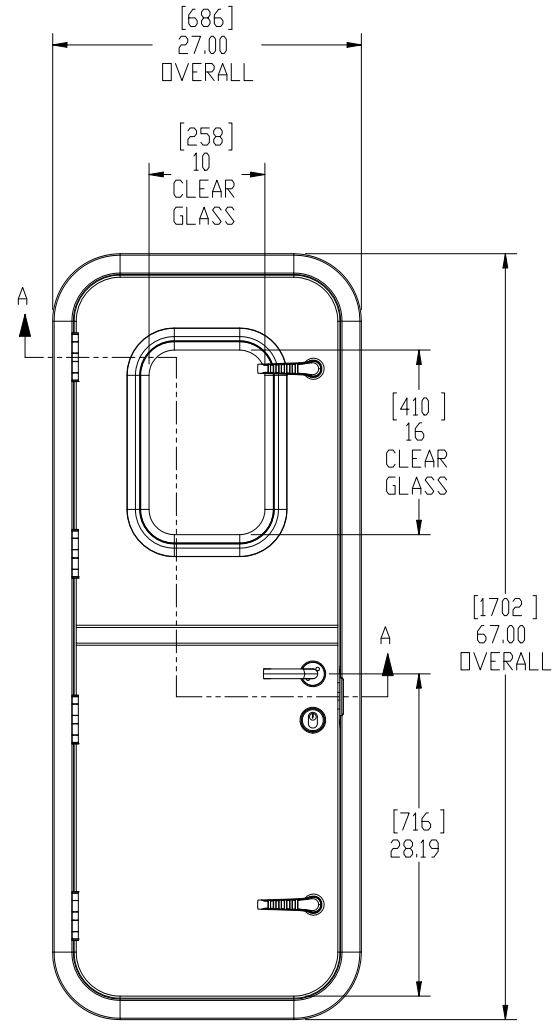
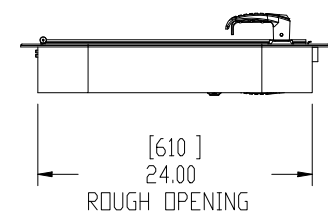


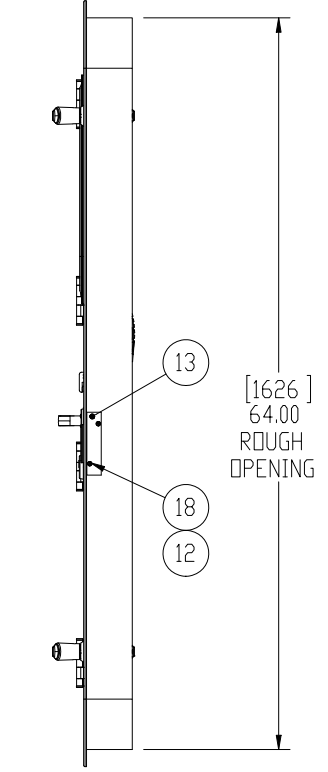
8 7 6 5 4 3 2 1



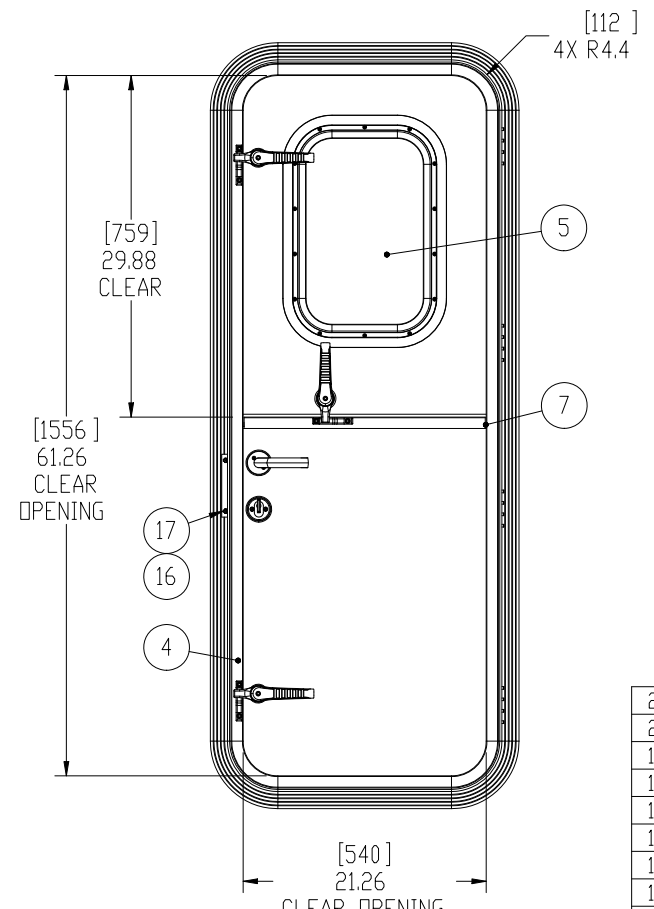
EXTERIOR VIEW



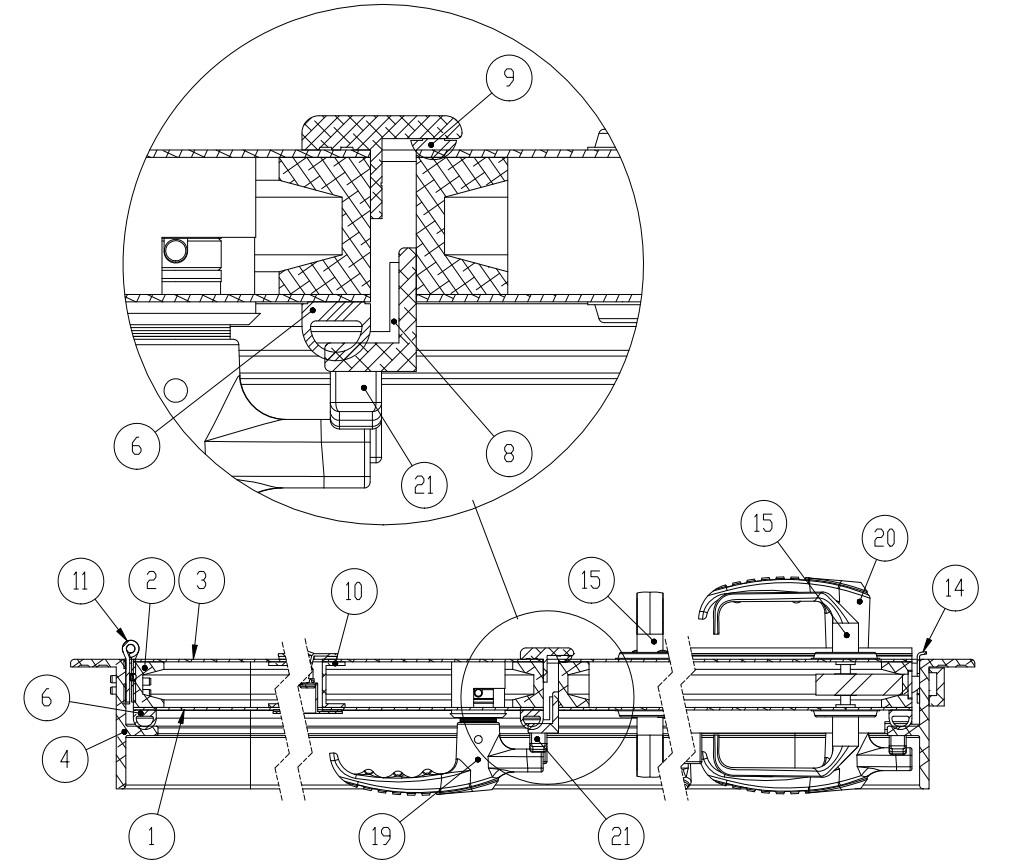
ROUGH OPENING



KEY PLAN
OUTWARD OPENING
LEFT HAND



INTERIOR VIEW



SECTION A-A
SCALE 1:3

ITEM NO.	QTY.	PART NUMBER	DESCRIPTION	MATERIAL
21	3	0031-2179	STRIKER ASSY, STANDARD	STRIKER ASSY, STANDARD STRIKER, 1/4-20
20	2	0251-0051	DOG SET, GLASS FILLED NYLON, BLACK,#2	REF. S/A - B.O.M.
19	1	0251-0052	DOG SET, CONCEALED, GLASS FILLED NYLON, #2	REF. S/A-B.O.M.
18	2	0411-2215	SCREW, PHILLIPS FHM, 8-32 X 5/8	STAINLESS STEEL
17	2	0411-2216	SCREW, PHILLIPS FHM, 10-24 X 3/4	316L STAINLESS STEEL
16	2	0411-2967	10-24 REGULAR HEX NUT	316 L STAINLESS STEEL
15	1	0422-1010	LOCKSET, 5316 LH ROSES SC	REF. MFR. - B.O.M.
14	1	0422-2320	STRIKER PLATE, DOOR RIGHT	316 STAINLESS STEEL
13	1	0435-2109	COVER STRIKER ADJUSTABLE	ALUMINUM, 6000 SERIES
12	2	0441-2137	ISOLATOR, 8-32 FLH SCREW	ACETRON GP
11	4	0461-2199	HINGE, BUTT SLOT 3.5 X 4.0, POLISHED, M6	STAINLESS STEEL
10	1	0612-2210	FRAMEWORK, WINDOW, CLAMP GRIP, 10 X 16	6063-T52 ALUMINUM
9	1	0631-2021	GASKET	NEOPRENE, BLACK
8	1	0631-2024	SEALING, GASKET, #1	NEOPRENE
7	1	0631-2025	SEALING, GASKET, #2	NEOPRENE
6	1	0631-9883	GASKET, DIE #D-1503	Neoprene, BLACK, 35 DURO
5	1	5190-1001-53	WINDOW, 10 X16 X1/4 CLEAR CLAMP GRIP	ALUM FRAME W/ CLEAR TEMP GLASS
4	1	-----	FRAME, EXT, DIE #34656 (0611-9082)	6061-T4/T451 ALUMINUM
3	1	-----	EXTERIOR SKIN, SHEET, .080 (0711-2093)	5052-H32 ALUMINUM
2	1	-----	PANEL FRAME, EXT, DIE #A-28790 (0611-9065)	6061-T4/T451 ALUMINUM
1	1	-----	INTERIOR SKIN, SHEET, .080 (0711-2093)	5052-H32 ALUMINUM

- 6. THIS DRAWING PROVIDES THE GENERAL CONFIGURATION. FOR MORE DETAILED INFORMATION, CONTACT FREEMAN MARINE SALES.
- 5. RADIUS CORNER PANEL.
- 4. WEATHERTIGHT CONSTRUCTION.
- 3. PANEL SKIN THICKNESS AS DESCRIBED IN CONFIGURATION DETAIL.
- 2. DOOR SIZE/STYLE AS REQUIRED, 50/50 PANEL SPLIT.
- 1. OUTWARD OPENING, LEFT HAND, PER FREEMAN STANDARD.

NOTES: UNLESS OTHERWISE SPECIFIED.

SPECIFICATIONS SUBJECT TO CHANGE WITHOUT NOTICE.		FREEMAN MARINE EQUIPMENT, INC. 28336 HUNTER CREEK ROAD GOLD BEACH, OR 97444 U.S.A. PHONE: 541-247-7078 FAX: 541-247-2114 www.freemarmarine.com	
PROJECTION		CLIENT: FREEMAN MARINE	
UNLESS OTHERWISE SPECIFIED DIMENSIONS ARE IN INCHES. TOLERANCES FOR ROUGH AND CLEAR OPENING ± .125 INCH. ALL OTHERS ARE:		TITLE: WEATHERTIGHT "READY" DUTCH DOOR MODEL 24" X 64" LH	
X XX XXX ANGLES ±.1 ±.03 ±.010 ±2*		SIZE: D 64747 DRAWING NUMBER: 1511-2464L	
DO NOT SCALE DRAWING		SCALE: 1:8 CALC. WT. ACT. WT. SHEET 1 OF 1	
- INITIAL RELEASE 14NOV11 SAS	A REVISED PER EON#107-12 & EON#20-12 17FEB14 TAP	DRAWN: S SNYDER DATE: 14NOV11 CHECKED: P. CANCELLIERI DATE: 14NOV11 ENGR: DATE: DESIGN ACTIVITY: DATE: CONTRACT NO:	REV. A