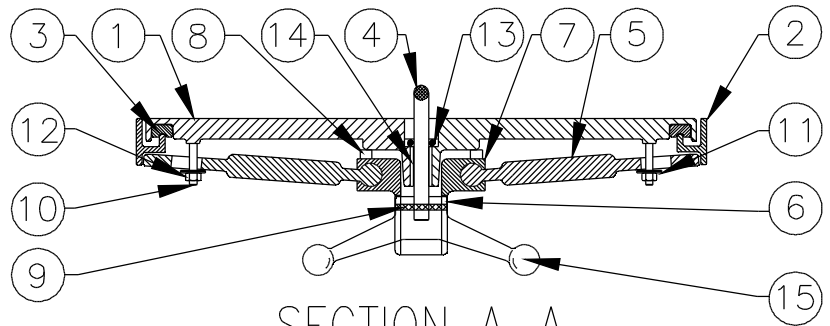
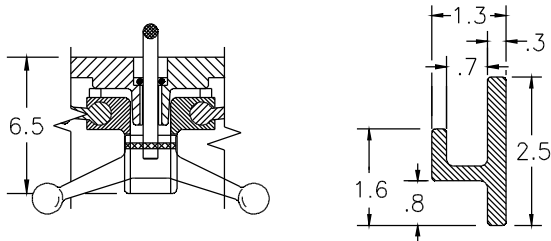


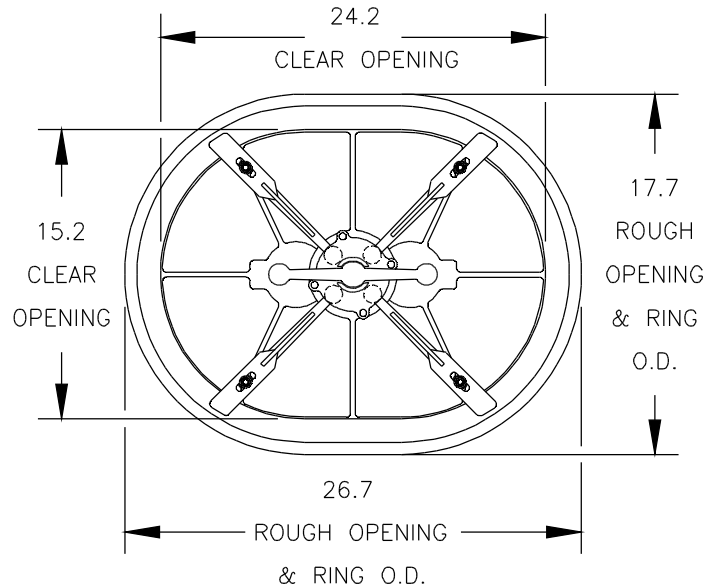
TOP VIEW



SECTION A-A
HANDLE SHOWN IN UP POSITION



DEPTH DETAIL RING DETAIL



BOTTOM VIEW

10. FOR SPECIFIC INFORMATION CONTACT SALES.
9. COMPLETE ASSEMBLY WEIGHT W/DECK RING, 54LBS/24.5K.
8. DOGGING PRESSURE FULLY ADJUSTABLE, TIGHTEST SEAL IN THE WORLD.
7. HANDLE POSITION TOPSIDE INDICATES WHETHER DOGGING MECHANISM IS IN OPEN OR CLOSED POSITION.
6. ALUMINUM ALLOY MECHANISM SHOWN.
5. FLUSH, WATERTIGHT CONSTRUCTION.
4. INTEGRAL TOPSIDE "T" HANDLE STANDARD, OTHER TOPSIDE ACTUATION AVAILABLE.
3. MILD STEEL COAMING, WELD IN DECK APPLICATIONS.
2. QUICK-ACTING, MECHANISM ENGAGES OR DISENGAGES IN QUARTER-TURN OF CENTER SPINDLE.
1. 15.2" X 24.2" OVAL CLEAR OPENING.

NOTES:

PARTS LIST

FIND NO.	PART NUMBER	DESCRIPTION	MATERIAL
1		HATCH (COVER PLATE)	AL. ALY.
2		FRAME (DECK RING)	MILD STEEL
3		GASKET	NEOPRENE
4		TOPSIDE "T" HANDLE	CRES
5		LOCKING ARM (DOG)	AL. ALY.
6		ACTIVATOR	AL. ALY.
7		FOUR HOLE HUB	AL. ALY.
8		CAM BUTTON	DELTRIN
9		KNURLED PIN (.25X2.25)	CRES
10		STUD (.375-16)	CRES
11		FLAT WASHER (.375)	CRES
12		LOCK NUT (.375-16 HEX.)	CRES
13		OIL RING (TEFLON COATED)	BUNA RUBBER
14		FLUTED BUSHING	ACETAL/CRES
15		INNER HANDLE (OPTIONAL)	AL. ALY.

FREEMAN
MARINE EQUIPMENT INC.

P.O. BOX F-28336 HUNTER CREEK ROAD
GOLD BEACH, OREGON 97444 U.S.A.
PHONE: 541-247-7078 FAX: 541-247-2114

TITLE: 15" X 24" OVAL "K" STYLE ALUM.
CAST HATCH, MILD STEEL DECK RING
W/INTEGRAL TOPSIDE HANDLE

DWN BY: M.W.F. 05/18/98 11:23 AM DATE: 01NOV96
CAD FILENAME: 2400\2434\0003-01.DWG

FSCM. NO.	DRAWING NUMBER	REV:
64747	2434-0003	-
SCALE: NONE	SHEET 1 OF 1	
© ALL RIGHTS RESERVED, 1996 FREEMAN MARINE EQUIPMENT, INC. SPECIFICATIONS SUBJECT TO CHANGE WITHOUT NOTICE		