

10. FOR SPECIFIC INFORMATION CONTACT SALES.
9. COMPLETE ASSEMBLY WEIGHT W/ DECK RING, 61.8LBS/ 28.0K.
8. DOGGING PRESSURE FULLY ADJUSTABLE.
7. HANDLE POSITION TOPSIDE INDICATES WHETHER DOGGING MECHANISM IS IN OPEN OR CLOSED POSITION.
6. ALUMINUM ALLOY MECHANISM SHOWN.
5. FLUSH, WATERTIGHT CONSTRUCTION.
4. INTEGRAL TOPSIDE "T" HANDLE STANDARD, OTHER TOPSIDE ACTUATION AVAILABLE.
3. STEEL COAMING, WELDED INSTALLATIONS.
2. QUICK-ACTING, MECHANISM ENGAGES OR DISENGAGES IN QUARTER-TURN OF CENTER SPINDLE.
1. 19.4" x 26.2" CLEAR OPENING, ALL DIMENSIONS SHOWN SUBJECT TO CASTING VARIATION AND ARE REFERENCE ONLY.

NOTES: UNLESS OTHERWISE SPECIFIED.

CUSTOMER APPROVAL

Signature: _____
Date: _____

IMPORTANT! THIS DRAWING SUPERSEDES ALL OTHER DOCUMENTS. By signing this approval you accept and agree that the dimensions and details shown are correct and properly fit your application, regardless of any differences between this drawing and any contract specifications. Should you see any errors in the drawing, or have any questions, please contact your Freeman Marine sales engineer for clarification.

REV.	DESCRIPTION:	DATE:	DRAWN
-	INITIAL RELEASE	24SEP10	GJM

SPECIFICATIONS SUBJECT TO CHANGE WITHOUT NOTICE.

PROJECTION

UNLESS OTHERWISE SPECIFIED DIMENSIONS ARE IN INCHES, TOLERANCES FOR ROUGH AND CLEAR OPENING ± .125 INCH. ALL OTHERS ARE:

.X	.XX	.XXX	ANGLES
±.1	±.03	±.010	±2°

DO NOT SCALE DRAWING

FREEMAN MARINE EQUIPMENT, INC.

28336 HUNTER CREEK ROAD
GOLD BEACH, OR 97444 U.S.A.
PHONE: 541-247-7078 FAX: 541-247-2114
www.freemanmarine.com

CONFIDENTIAL PROPERTY OF FREEMAN MARINE EQUIPMENT INC. UNAUTHORIZED USE, COPYING OR DISTRIBUTION IS STRICTLY PROHIBITED. POSSESSOR OF THIS DOCUMENT AGREES TO THE FOREGOING AND SHALL RETURN THIS DOCUMENT UPON REQUEST. © ALL RIGHTS RESERVED 2004

CLIENT: FREEMAN MARINE EQUIPMENT

TITLE: 19" X 26" OVAL "K" STYLE ALUMINUM CAST HATCH, MILD STEEL DECK RING

SIZE: **D** CAGE CODE: 64747 DRAWING NUMBER: 2475-0003-2011 REV: -

SCALE: 1:3 CALC. WT. ACT. WT. SHEET 1 OF 2

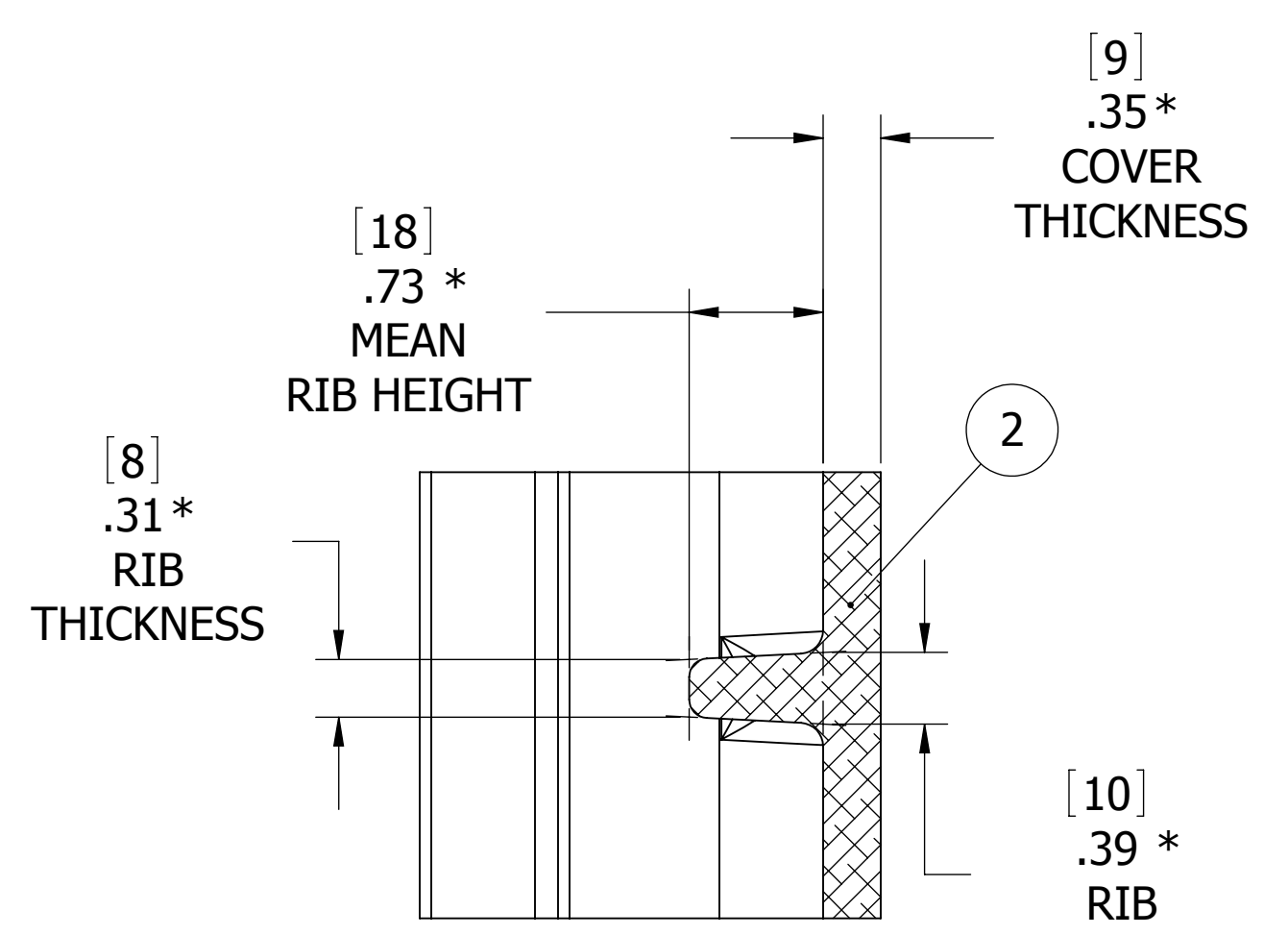
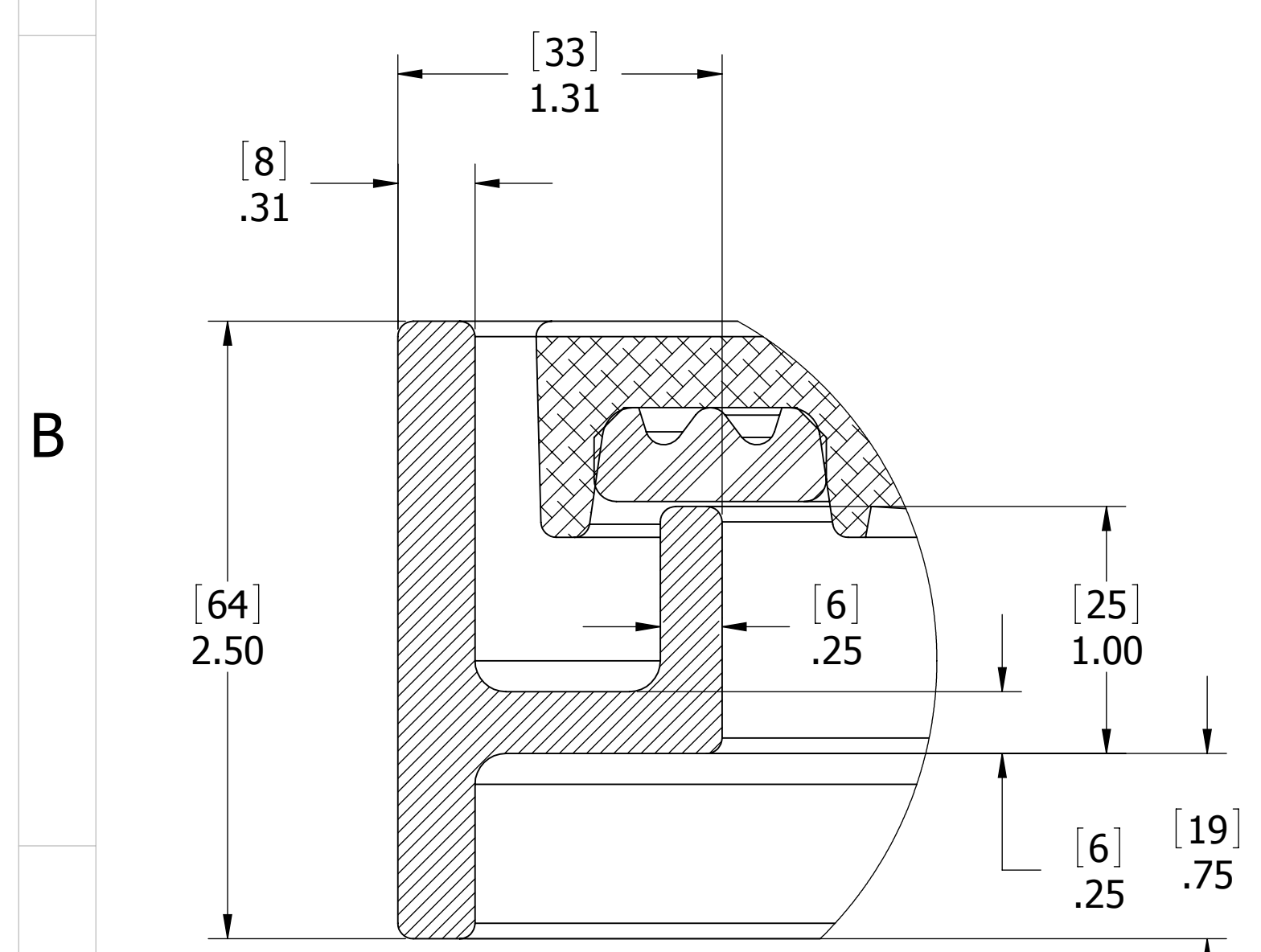
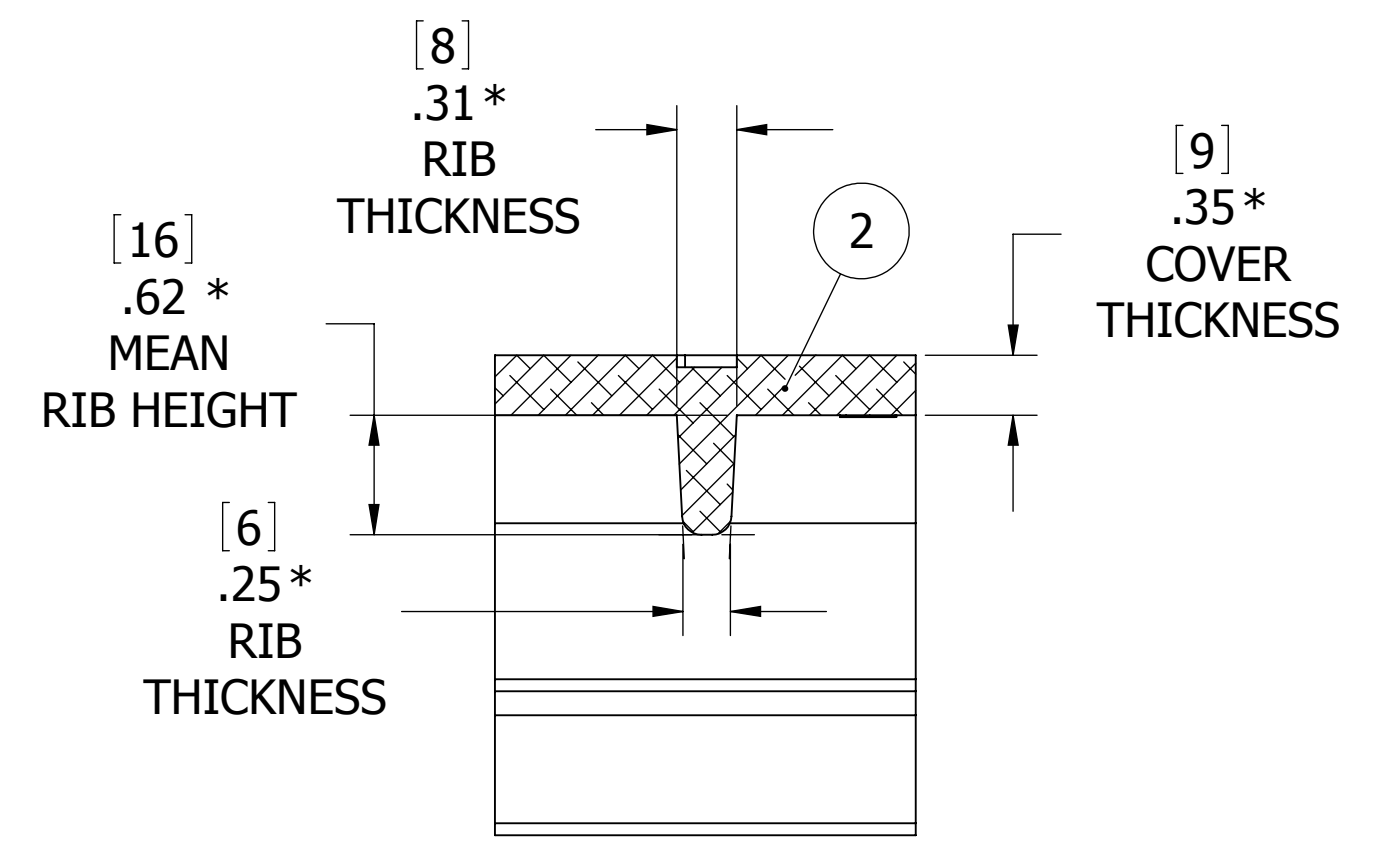
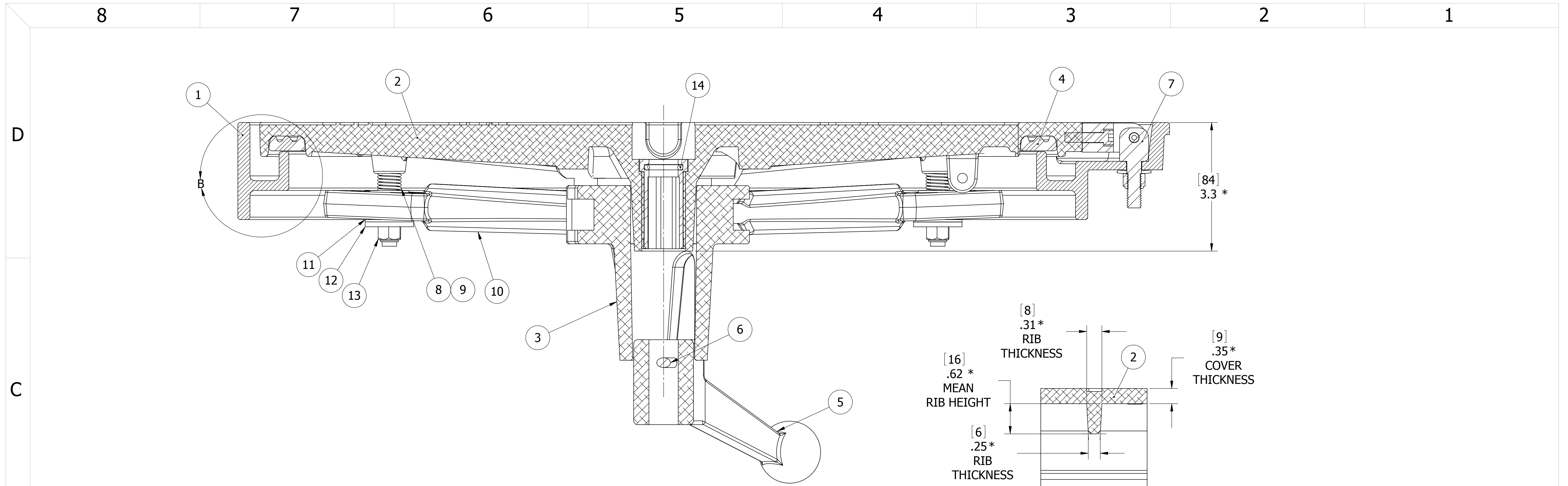
CONTRACT NO.:

DESIGN ACTIVITY: DATE:

ENGR: P. CANCELLIERI DATE: 27SEP10

CHECKED: G. MACEACHERN DATE: 24SEP10

DRAWN: G. MACEACHERN DATE: 24SEP10



ITEM NO.	QTY.	PART NUMBER	DESCRIPTION	MATERIAL
14	1	0031-2058	BUSHING ASSY, W/O-RING, NO SLEEVE	ACETRON/RUBBER
13	4	0411-2032	NUT .375IN NYLOCK	316/316L
12	4	0411-2033	WASHER .406 X 1.25 X .125IN SS 316	SS, 316
11	4	0413-2005	WASHER, .406 X 1.250 X .062 NYLON	NYLON
10	4	0211-2007	DOG, LOCKING ARM	ALUMINUM, 535.2-F
9	4	0411-2101	WASHER, FLAT .406 X 1 X .05IN	SS 316/316L
8	4	0431-2039	SPRING, COMPRESSION	SS, 316 ASTM-A313 (C & P)
7	2	0461-2204	HINGE ASSY, SINGLE PIVOT, CAST HATCH(1.65/.860)2	REF. S/A - B.O.M.
6	1	0411-2004	PIN KNURLED .25 X 2.25IN SS 316	SS, 316
5	1	0112-2003	ESCAPE HANDLE, AL	AL, 535.2-F
4	1	9885-2012	GASKET	NEOPRENE, 25 DURO
3	1	0011-2002	HUB, AL, 4 HOLE	AL, 535.2-F
2	1	2475-3001	COVER: 1926K	ALUMINUM, 356.0-F
1	1	2475-1003	RING, 19 x 26 HINGED	MILD STEEL

A

* NOMINAL DIMENSION VALUE DUE TO BENDING AND CASTING VARIATIONS.
 NOTES: UNLESS OTHERWISE SPECIFIED.

CUSTOMER APPROVAL

Signature: _____
 Date: _____

IMPORTANT! THIS DRAWING SUPERSEDES ALL OTHER DOCUMENTS. By signing this approval you accept and agree that the dimensions and details shown are correct and properly fit your application, regardless of any differences between this drawing and any contract specifications. Should you see any errors in the drawing, or have any questions, please contact your Freeman Marine sales engineer for clarification.

REV.	DESCRIPTION:	DATE:	DRAWN:
-	INITIAL RELEASE	24SEP10	GJM

SPECIFICATIONS SUBJECT TO CHANGE WITHOUT NOTICE.

PROJECTION

UNLESS OTHERWISE SPECIFIED DIMENSIONS ARE IN INCHES, TOLERANCES FOR ROUGH AND CLEAR OPENING ± .125 INCH. ALL OTHERS ARE:

.X	.XX	.XXX	ANGLES
±.1	±.03	±.010	±2°

DO NOT SCALE DRAWING

FREEMAN MARINE EQUIPMENT, INC.

28336 HUNTER CREEK ROAD
 GOLD BEACH, OR 97444 U.S.A.
 PHONE: 541-247-7078 FAX: 541-247-2114
 www.freemanmarine.com

CLIENT: FREEMAN MARINE EQUIPMENT

TITLE: 19" X 26" OVAL "K" STYLE ALUMINUM CAST HATCH, MILD STEEL DECK RING

SIZE	CAGE CODE	DRAWING NUMBER	REV.
D	64747	2475-0003-2011	-

SCALE: 1:8 CALC. WT. ACT. WT. SHEET 2 OF 2

CONTRACT NO.: _____

CONFIDENTIAL PROPERTY OF FREEMAN MARINE EQUIPMENT INC. UNAUTHORIZED USE, COPYING OR DISTRIBUTION IS STRICTLY PROHIBITED. POSSESSOR OF THIS DOCUMENT AGREES TO THE FOREGOING AND SHALL RETURN THIS DOCUMENT UPON REQUEST.

© ALL RIGHTS RESERVED 2004

DRAWN: G MACEACHERN DATE: 24SEP10
 CHECKED: P. CANCELLIERI DATE: 27SEP10
 ENGR: _____ DATE: _____
 DESIGN ACTIVITY: _____ DATE: _____