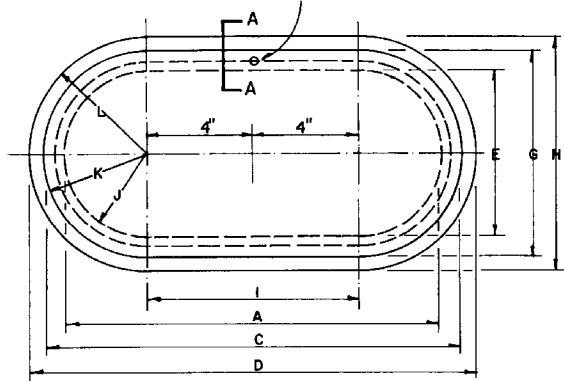
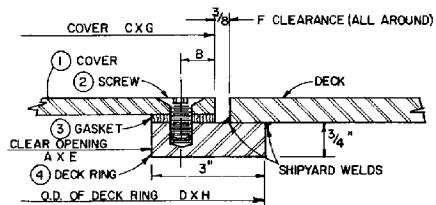


(26) - FLAT HEAD SOCKET CAP  
SCREWS (EQUALLY SPACED)



PLAN



SECTION "A-A"