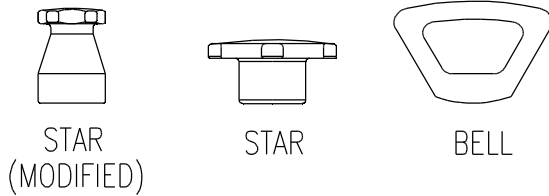


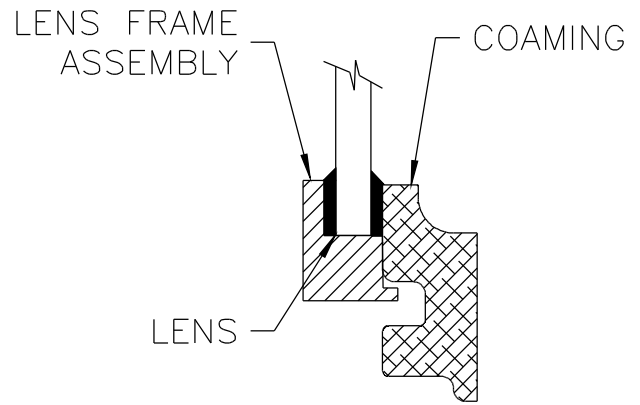
DIMENSION SCHEDULE	
FLANGE TO FLANGE	26.36 X 13.36
CLEAR GLASS	21.94 X 8.92



KNOB OPTIONS

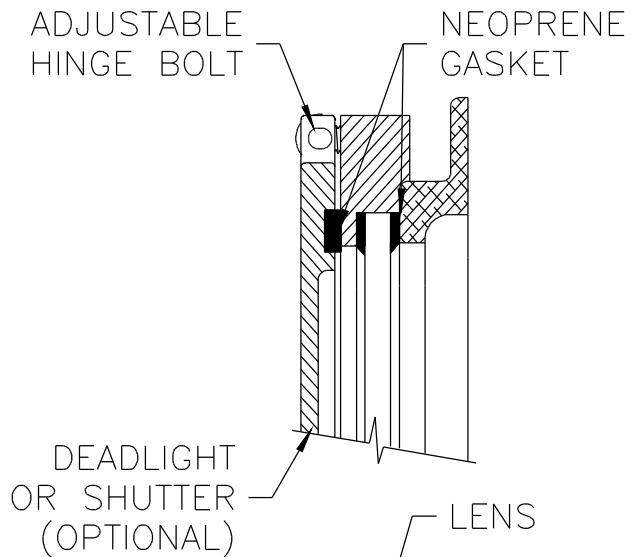
10. FOR SPECIFIC INFORMATION CONTACT SALES. ADJUSTABLE
9. MANY OTHER MODELS & SIZES AVAILABLE. DROP BOLT
8. CLASSIFICATION SOCIETY APPROVALS AVAILABLE.
7. VARIOUS PREP, PRIMER, & PAINT AVAILABLE.
6. SHUTTER OR DEADLIGHT OPTIONAL (DEADLIGHT SHOWN).
5. SPIGOT DEPTH OPTIONAL.
4. PREMIUM DUTY, WATERTIGHT CONSTRUCTION.
3. WILL ACCOMMODATE 3/8" OR 1/2" GLASS OR LEXAN.
2. 9 X 22" CLEAR OPENING.
1. FIXED LIGHT (NON-OPENING LENS).

NOTES:



SECTION B-B

FIXED LIGHT W/O COVER



SECTION A-A

FIXED LIGHT W/ COVER

FREEMAN
MARINE EQUIPMENT INC.

28336 HUNTER CREEK ROAD
GOLD BEACH, OREGON 97444 U.S.A.
PHONE: 541-247-7078 FAX:
541-247-2114
WWW.FREEMANMARINE.COM

TITLE:

FIXED LIGHT,
ELLIPTICAL, 9-22

DWN BY: ZA UNITS: INCH DATE: 28JUN01
CAD FILENAME: 4100\4124\0001A01.DWG

FSCM. NO.	DRAWING NUMBER	REV
64747	4124-0001	A
SCALE: PS: MS	SHEET 1 OF 2	

© ALL RIGHTS RESERVED.
2001 FREEMAN MARINE EQUIPMENT, INC.
SPECIFICATIONS SUBJECT TO CHANGE WITHOUT NOTICE