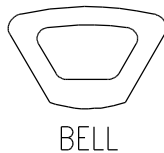
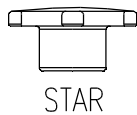


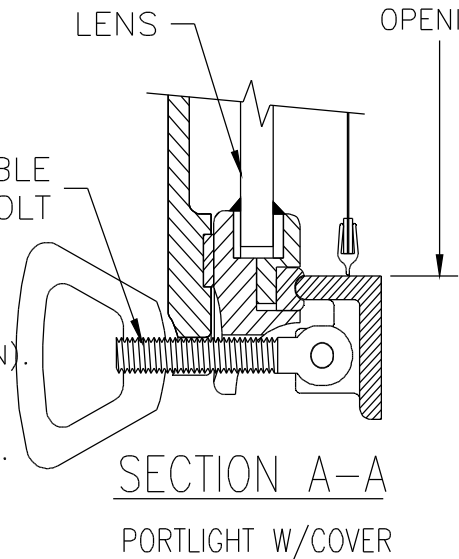
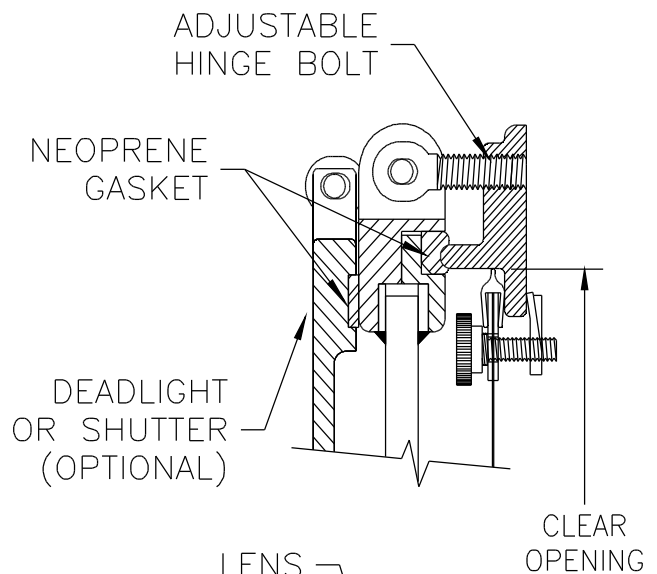
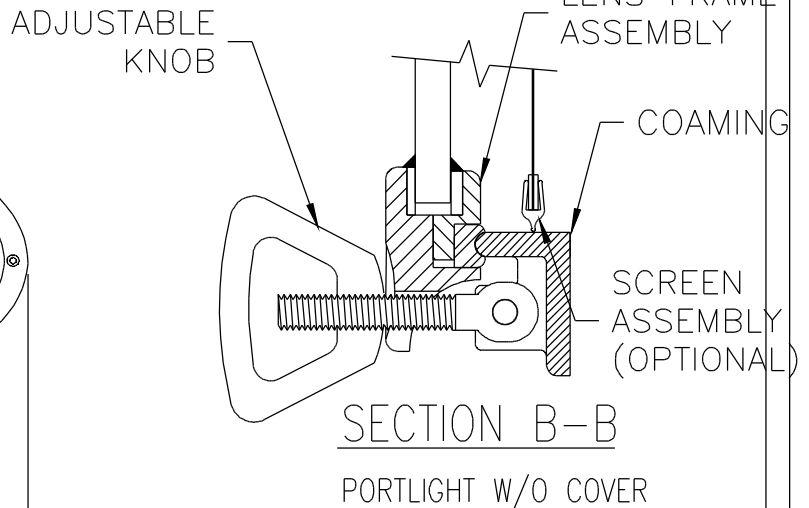
DIMENSION SCHEDULE	
FLANGE TO FLANGE	26.38 X 13.38
CLEAR GLASS	21.93 X 8.93
CLEAR OPENING	23.38 X 10.38



KNOB OPTIONS

13. FOR SPECIFIC INFORMATION CONTACT SALES.
12. MANY OTHER MODELS & SIZES AVAILABLE. ADJUSTABLE
11. CLASSIFICATION SOCIETY APPROVALS AVAILABLE.
10. VARIOUS PREP, PRIMER, & PAINT AVAILABLE.
9. SOLID NEOPRENE GASKET STANDARD.
8. ADJUSTABLE HINGES STANDARD.
7. SPIGOT DEPTH OPTIONAL.
6. SHUTTER OR DEADLIGHT OPTIONAL (DEADLIGHT SHOWN).
5. SCREEN OPTIONAL.
4. PREMIUM DUTY, WATERTIGHT CONSTRUCTION.
3. WILL ACCOMMODATE 3/8" OR 1/2" GLASS OR LEXAN.
2. 9" X 22" CLEAR OPENING.
1. OPENING ELLIPTICAL PORTLIGHT.

NOTES:



FREEMAN
MARINE EQUIPMENT INC.
28336 HUNTER CREEK ROAD
GOLD BEACH, OREGON 97444 U.S.A.
PHONE: 541-247-7078 FAX:
541-247-2114
WWW.FREEMANMARINE.COM

TITLE: PORTLIGHT,
ELLIPTICAL, 9-22

DWN BY: ZA UNITS: INCH DATE: 28JUN01
CAD FILENAME: 4200\4224\0001A01.DWG

FSCM. NO.	DRAWING NUMBER	REV
64747	4224-0001	A
SCALE: PS: MS	SHEET 1 OF 2	
© ALL RIGHTS RESERVED. 2001 FREEMAN MARINE EQUIPMENT, INC. SPECIFICATIONS SUBJECT TO CHANGE WITHOUT NOTICE		