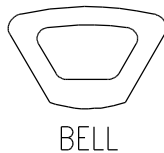
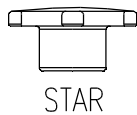


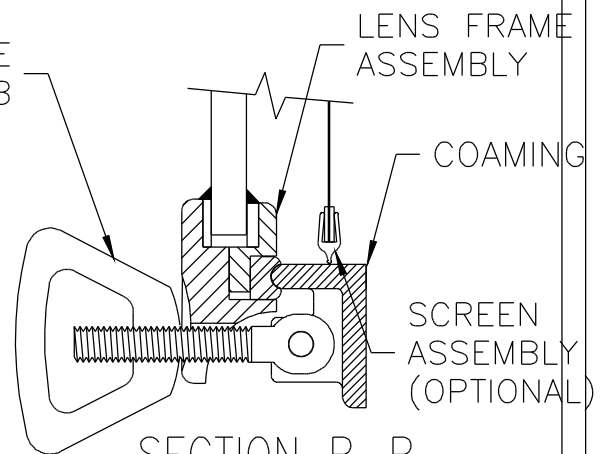
DIMENSION SCHEDULE	
FLANGE TO FLANGE	14.55 X 26.80
CLEAR GLASS	10.08 X 22.33
CLEAR OPENING	11.55 X 23.80



KNOB OPTIONS

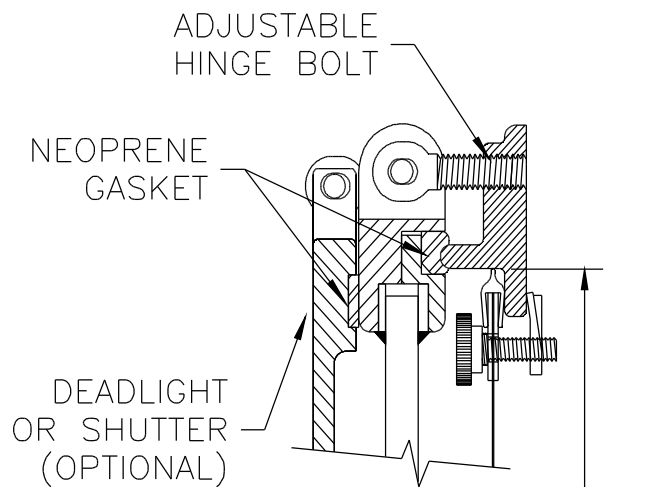
13. FOR SPECIFIC INFORMATION CONTACT SALES.
12. MANY OTHER MODELS & SIZES AVAILABLE. ADJUSTABLE
11. CLASSIFICATION SOCIETY APPROVALS AVAILABLE.
10. VARIOUS PREP, PRIMER, & PAINT AVAILABLE.
9. SOLID NEOPRENE GASKET STANDARD.
8. ADJUSTABLE HINGES STANDARD.
7. SPIGOT DEPTH OPTIONAL.
6. SHUTTER OR DEADLIGHT OPTIONAL (DEADLIGHT SHOWN).
5. SCREEN OPTIONAL.
4. PREMIUM DUTY, WATERTIGHT CONSTRUCTION.
3. WILL ACCOMMODATE 3/8" OR 1/2" GLASS OR LEXAN.
2. 12" X 24" CLEAR OPENING.
1. OPENING RECTANGULAR PORTLIGHT.

NOTES:



SECTION B-B

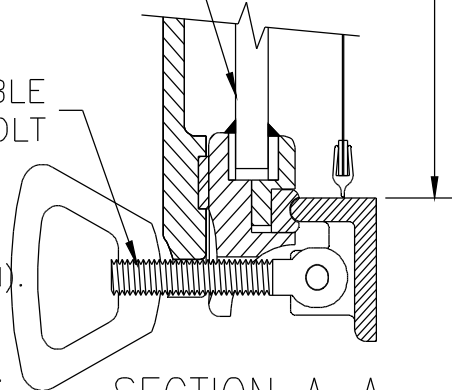
PORTLIGHT W/O COVER



LENS

CLEAR OPENING

DROP BOLT



SECTION A-A

PORTLIGHT W/COVER

**FREEMAN**  
MARINE EQUIPMENT INC.

28336 HUNTER CREEK ROAD  
GOLD BEACH, OREGON 97444 U.S.A.  
PHONE: 541-247-7078 FAX:  
541-247-2114  
WWW.FREEMANMARINE.COM

TITLE:

PORTLIGHT,  
RECTANGULAR, 12-24

FSCM. NO.

64747

DRAWING NUMBER

4236-0001

REV

A

SCALE: PS: MS

SHEET 1 OF 2

DWN BY: ZA

UNITS: INCH

DATE: 08JUN01

CAD FILENAME:

4200\4236\0001A01.DWG

© ALL RIGHTS RESERVED.  
2001 FREEMAN MARINE EQUIPMENT, INC.  
SPECIFICATIONS SUBJECT TO CHANGE WITHOUT NOTICE