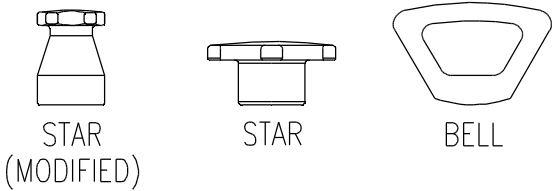
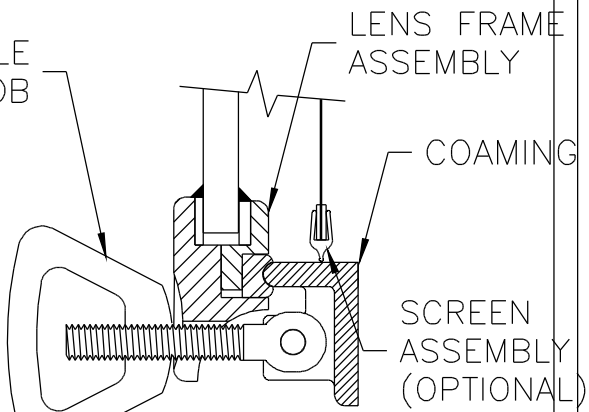


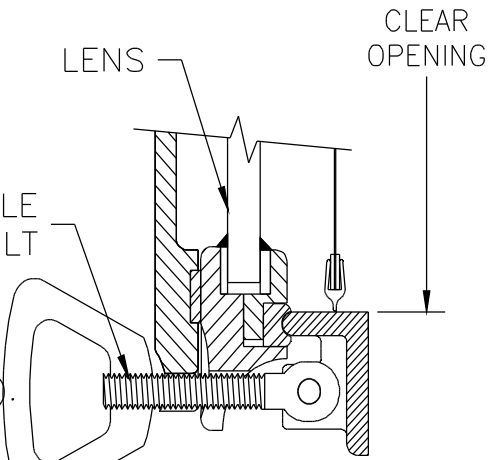
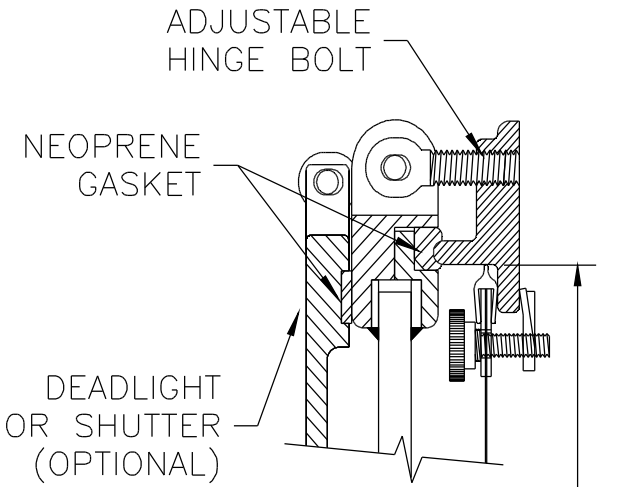
DIMENSION SCHEDULE	
FLANGE TO FLANGE	17.69 X 27.69
CLEAR GLASS	13.23 X 22.53
CLEAR OPENING	14.69 X 24.19



KNOB OPTIONS



SECTION B-B
PORTLIGHT W/O COVER



SECTION A-A
PORTLIGHT W/COVER

13. FOR SPECIFIC INFORMATION CONTACT SALES.
12. MANY OTHER MODELS & SIZES AVAILABLE. ADJUSTABLE
11. CLASSIFICATION SOCIETY APPROVALS AVAILABLE.
10. VARIOUS PREP, PRIMER, & PAINT AVAILABLE.
9. SOLID NEOPRENE GASKET STANDARD.
8. ADJUSTABLE HINGES STANDARD.
7. SPIGOT DEPTH OPTIONAL.
6. SHUTTER OR DEADLIGHT OPTIONAL (DEADLIGHT SHOWN).
5. SCREEN OPTIONAL.
4. PREMIUM DUTY, WATERTIGHT CONSTRUCTION.
3. WILL ACCOMMODATE 3/8" OR 1/2" GLASS OR LEXAN.
2. 14.5" X 24" CLEAR OPENING.
1. OPENING RECTANGULAR PORTLIGHT.

NOTES:

<p>FREEMAN MARINE EQUIPMENT INC. 28336 HUNTER CREEK ROAD GOLD BEACH, OREGON 97444 U.S.A. PHONE: 541-247-7078 FAX: 541-247-2114 WWW.FREEMANMARINE.COM</p>	TITLE: <p style="text-align: center;">PORTLIGHT, RECTANGULAR, 14.5-24</p>	FSCM. NO. 64747	DRAWING NUMBER 4238-0001	REV A
	DWN BY: ZA UNITS: INCH DATE: 21JUN01	SCALE: PS: MS	SHEET 1 OF 2	
<p>© ALL RIGHTS RESERVED. 2001 FREEMAN MARINE EQUIPMENT, INC. SPECIFICATIONS SUBJECT TO CHANGE WITHOUT NOTICE</p>				
CAD FILENAME: 4200\4238\0001A01.DWG				