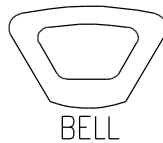
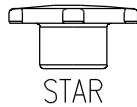


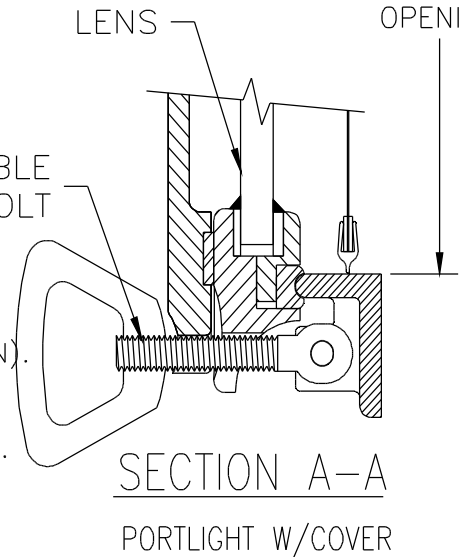
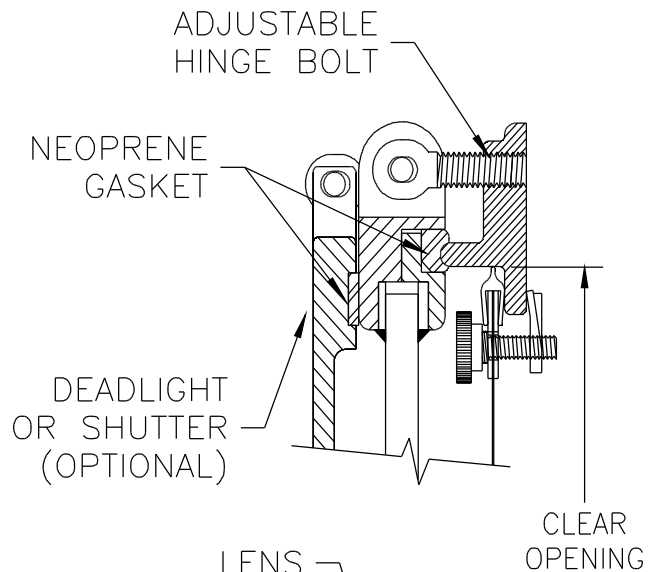
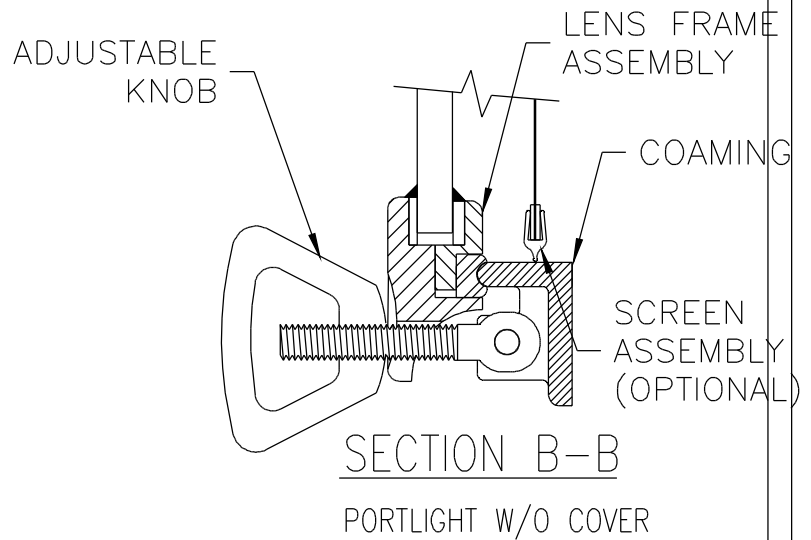
DIMENSION SCHEDULE	
FLANGE TO FLANGE	12.22 X 20.20
CLEAR GLASS	7.77 X 15.82
CLEAR OPENING	9.22 X 17.20



KNOB OPTIONS

13. FOR SPECIFIC INFORMATION CONTACT SALES.
12. MANY OTHER MODELS & SIZES AVAILABLE. ADJUSTABLE
11. CLASSIFICATION SOCIETY APPROVALS AVAILABLE.
10. VARIOUS PREP, PRIMER, & PAINT AVAILABLE.
9. SOLID NEOPRENE GASKET STANDARD.
8. ADJUSTABLE HINGES STANDARD.
7. SPIGOT DEPTH OPTIONAL.
6. SHUTTER OR DEADLIGHT OPTIONAL (DEADLIGHT SHOWN).
5. SCREEN OPTIONAL.
4. PREMIUM DUTY, WATERTIGHT CONSTRUCTION.
3. WILL ACCOMMODATE 3/8" OR 1/2" GLASS OR LEXAN.
2. 8" X 16" CLEAR OPENING.
1. OPENING OVAL PORTLIGHT.

NOTES:



FREEMAN
MARINE EQUIPMENT INC.
28336 HUNTER CREEK ROAD
GOLD BEACH, OREGON 97444 U.S.A.
PHONE: 541-247-7078 FAX:
541-247-2114
WWW.FREEMANMARINE.COM

TITLE: PORTLIGHT, OVAL, 8-16

DWN BY: ZA UNITS: INCH DATE: 19JUN01
CAD FILENAME: 4200\4252\0001A01.DWG

FSCM. NO.	DRAWING NUMBER	REV
64747	4252-0001	A
SCALE: PS: MS	SHEET 1 OF 2	
© ALL RIGHTS RESERVED. 2001 FREEMAN MARINE EQUIPMENT, INC. SPECIFICATIONS SUBJECT TO CHANGE WITHOUT NOTICE		