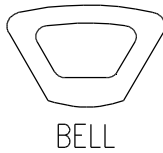
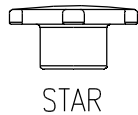
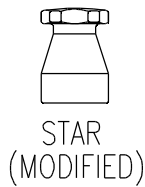


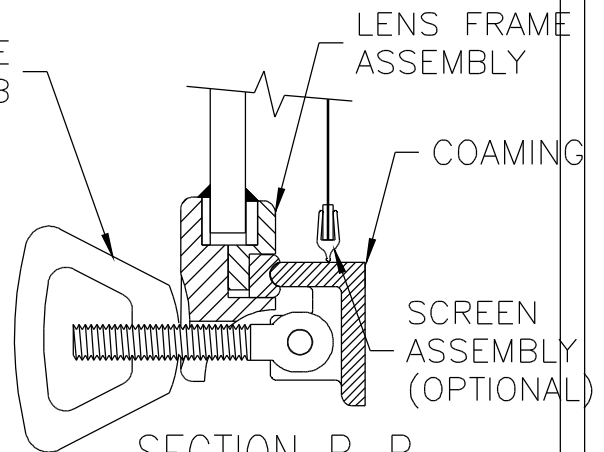
DIMENSION SCHEDULE	
FLANGE TO FLANGE	16.25 X 28.38
CLEAR GLASS	11.8 X 23.92
CLEAR OPENING	13.25 X 25.38



KNOB OPTIONS

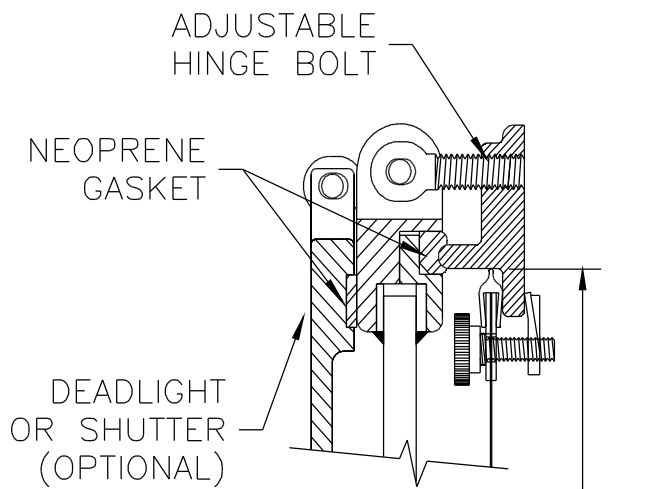
13. FOR SPECIFIC INFORMATION CONTACT SALES.
12. MANY OTHER MODELS & SIZES AVAILABLE. ADJUSTABLE
11. CLASSIFICATION SOCIETY APPROVALS AVAILABLE.
10. VARIOUS PREP, PRIMER, & PAINT AVAILABLE.
9. SOLID NEOPRENE GASKET STANDARD.
8. ADJUSTABLE HINGES STANDARD.
7. SPIGOT DEPTH OPTIONAL.
6. SHUTTER OR DEADLIGHT OPTIONAL (DEADLIGHT SHOWN).
5. SCREEN OPTIONAL.
4. PREMIUM DUTY, WATERTIGHT CONSTRUCTION.
3. WILL ACCOMMODATE 3/8" OR 1/2" GLASS OR LEXAN.
2. 12" X 24" CLEAR OPENING.
1. OPENING OVAL PORTLIGHT.

NOTES:

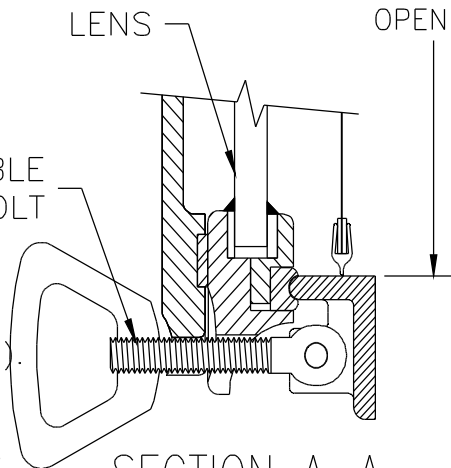


SECTION B-B

PORTLIGHT W/O COVER



CLEAR OPENING



SECTION A-A

PORTLIGHT W/COVER

FREEMAN
MARINE EQUIPMENT INC.

28336 HUNTER CREEK ROAD
GOLD BEACH, OREGON 97444 U.S.A.
PHONE: 541-247-7078 FAX:
541-247-2114
WWW.FREEMANMARINE.COM

TITLE:

PORTLIGHT,
OVAL, 12-24

FSCM. NO.

64747

DRAWING NUMBER

4255-0001

REV

B

SCALE: PS: MS

SHEET 1 OF 2

DWN BY: ZA

UNITS: INCH

DATE: 15FEB01

CAD FILENAME:

4200\4255\0001B01.DWG

© ALL RIGHTS RESERVED,
2001 FREEMAN MARINE EQUIPMENT, INC.
SPECIFICATIONS SUBJECT TO CHANGE WITHOUT NOTICE