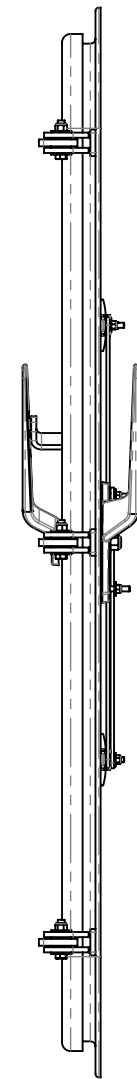
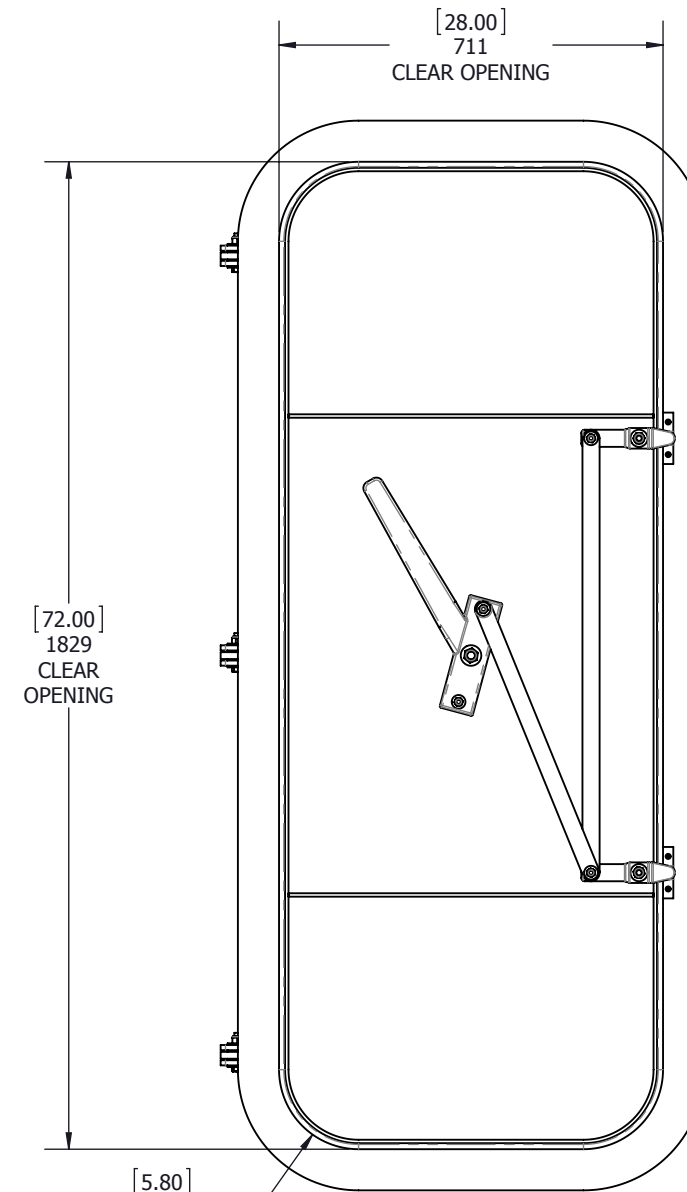


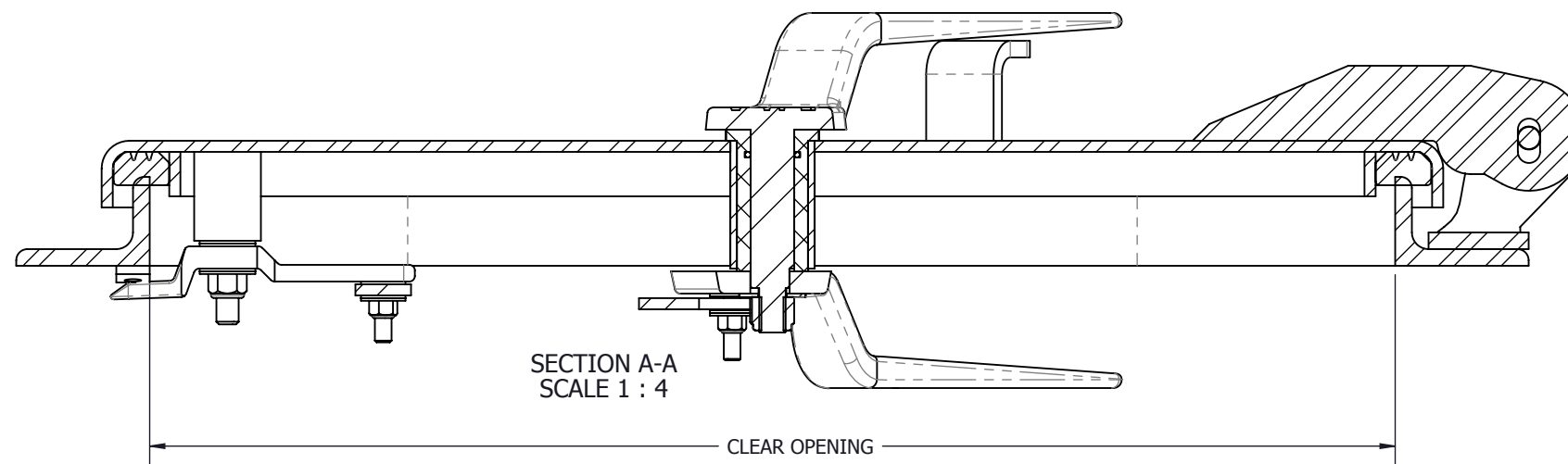
**EXTERIOR VIEW**



**KEY PLAN**  
OUTWARD OPENING RH



**INTERIOR VIEW**



SECTION A-A  
SCALE 1 : 4

**REVISIONS**

REV	DESCRIPTION	DATE

**GENERAL NOTES  
UNLESS OTHERWISE SPECIFIED**

1. OUTWARD OPENING RIGHT HAND PER FREEMAN STANDARD.
2. MITERED CORNER PANEL.
3. WATERTIGHT BULKHEAD DOOR.
4. PANEL SKIN THICKNESS AS DESCRIBED IN CONFIGURATION DETAIL.
5. DOOR SIZE STYLE AS REQUIRED.
6. FINISH: AS DESCRIBED IN CONFIGURATION DETAIL.
7. THIS DRAWING PROVIDES THE GENERAL CONFIGURATION OF A BULKHEAD DOOR, FOR MORE DETAILED INFORMATION CONTACT FREEMAN MARINE EQUIPMENT.

**CUSTOMER APPROVAL**

IMPORTANT! THIS DRAWING SUPERSEDES ALL OTHER DOCUMENTS. By signing this approval you accept and agree that the dimensions and details shown are correct and properly fit your application, regardless of any differences between this drawing and any contract specifications. Should you see any errors in the drawing, or have any questions, please contact your Freeman Marine sales engineer for clarification.

SIGN	DATE
BAR CODE	CAGE CODE
	64747



COPYRIGHT 2014 ADVANTEC GLOBAL INNOVATIONS. ALL RIGHTS RESERVED. CONFIDENTIAL PROPERTY OF ADVANTEC GLOBAL INNOVATIONS. UNAUTHORIZED USE, REPRODUCTION OR DISTRIBUTION IS STRICTLY PROHIBITED. COPIES REMAIN THE PROPERTY OF ADVANTEC GLOBAL INNOVATIONS AND MUST BE RETURNED UPON REQUEST.

CLIENT			
CLIENT			
PROJECT TITLE			
PROJECT - WO			
DWG TITLE			
1212-2DOG QA			
SCALE	DRAWN BY	DATE	SHEET
1:14		06/16/14	5 of 5
S.O. NO	DWG NO	QTY	REV
41630	1212-2DOG QA		01